



Ex-EQUIPMENT

English Version



ROSE Systemtechnik GmbH

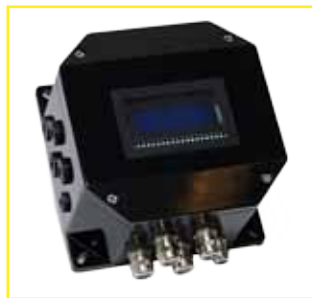
ROSE Systemtechnik GmbH was founded in Porta Westfalica, Germany, in 1969 and is today one of the world's leading and innovative providers of industrial enclosure system engineering, employing over 350 staff.

In association with Phoenix Mecano AG, Switzerland, we develop and manufacture high-quality industrial enclosures and system solutions for the areas of mechanical and plant engineering, automation engineering, potentially explosive atmospheres, instrumentation, control and automation technology, as well as the food and beverage industry.

Our product range comprises the following:

- Standard industrial enclosures made of aluminium, stainless steel and plastics for individual installations of electrical connection technology and electronic components.
- Operating and display enclosures based on aluminium profile systems and stainless steel materials for HMI applications with industrial PCs, PLC control systems and visualisation units including delivery systems.
- Components for explosion protection with junction boxes and control stations for worldwide use in potentially explosive atmospheres, as well as the petrochemical and chemical industry in both onshore and offshore environments.

Our business success is founded on a wide range of products, a high quality standard, constant innovation and an exceptional level of service. You decide the condition of delivery – the unmachined enclosure, a partial assembly or a completely assembled and tested customised system solution.

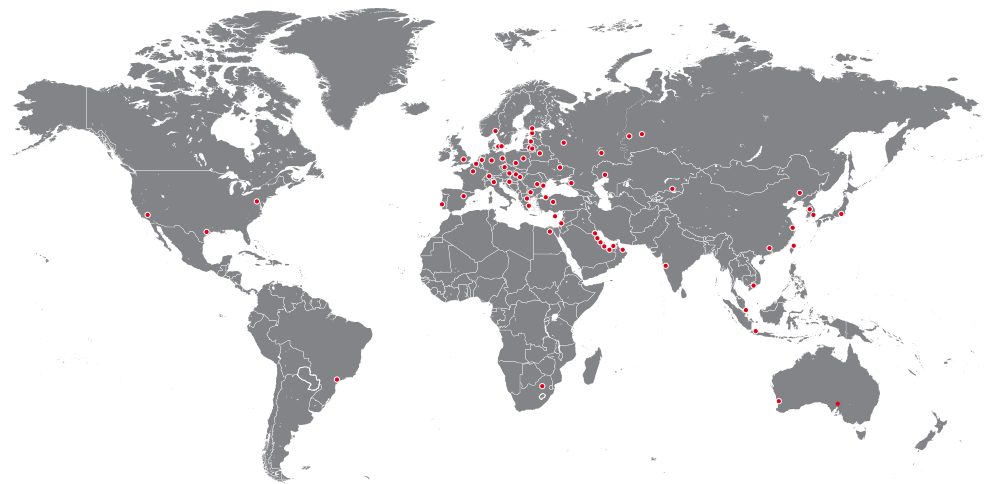


Best Service with our global Sales Network



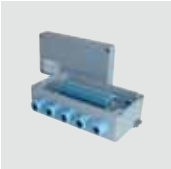






A Phoenix Mecano Company

ROSE Systemtechnik GmbH
Erbeweg 13 - 15
32457 Porta Westfalica
Fon +49 571 5041 0
Fax +49 571 5041 6
E-Mail rose@rose-pw.de



www.rose-pw.de

	Page	
Ex e, Ex ia Terminal enclosures / Ex Empty enclosures	12	
	Ex Stainless steel enclosures IG	13
	Ex Stainless steel flange enclosures ProtEx	27
	Ex Stainless steel cabinets IGS	37
	Ex Polyester enclosures	47
	Pre-assembled Ex polyester connecting enclosures PExcom	67
	Ex Polyester CombiBox	69
	Ex Polyester flange enclosures	75
	Ex Polyester Okta Box	81
	Ex Polyester cabinets Polyglas	87
	Ex Polyester for mining industry	93
	Ex Aluminium enclosures	103
	Ex Polyamide Handheld enclosures Beluga	132
Ex d Flameproof enclosures		
	Ex d II B Flameproof enclosures EJB	135
	Ex d II B Flameproof enclosures EJB INX	142
	Ex d II C Flameproof enclosures EJC	148
	Ex d II C Flameproof enclosures GUB	153
	Ex d II C Flameproof enclosures GUB INX	160
	Ex d II C Instrument enclosures EMH 9	167
	Ex d II C Junction and distribution enclosures GUA-EAHF	169
	Ex d II B Control Stations EFG	172
	Ex d II B Selector switch stations EFSC218 M310	174
	Ex d II B Circuit breaker and earth leakage circuit breaker stations EFSC218 GUS	176
Ex d II B Thermal magnetic motor protection EFSC218 SMT	179	
	Ex Control Equipment	181
	Ex Cable glands	183

For the entire catalog technical changes are reserved.

ROSE Ex Equipment



Special safety guidelines become relevant that prescribe the use of Ex tested components apply to all potentially explosive atmospheres. For this purpose, the ATEX directive applies within the EU and regulates the safe operation of plants and systems in potentially explosive areas.

In other countries and continents, other safety guidelines apply in this area (IECEX, TR-TS, NEC, etc.) – often these are derivations of the European ATEX legislation.

In Europe, all these guidelines are summarised in the standard EN 60079 for the electrical components. This defines different protection concepts which – depending on the electrical requirements – will all enable equally safe solutions.

Ex enclosures made of aluminium, polyester and stainless steel as well as control stations and other Ex equipment offer reliable basic protection for electrical distributors used in potentially explosive areas. The application range of the products is categorised in zone 1 and 2 for gas explosion protection, and in zone 21 and 22 for dust explosion protection. For different applications, different protection concepts will be available:

- Ex-e increased safety
- Ex-i intrinsic safety
- Ex-d flameproof enclosure

Typical application ranges include:

- Chemical and petrochemical industry
- Process industry
- Lacquer-processing industry
- Mining
- Silo installation



ROSE Ex products are in accordance with all European ATEX standards and worldwide IECEx guidelines: EN/IEC 60079-0, EN/IEC 60079-1, EN/IEC 60079-7, EN/IEC 60079-11, EN/IEC 60079-15, EN/IEC 60079-18, EN/IEC 60079-28, and EN/IEC 60079-31.

Protection concepts:



- Ex e (increased safety)
- Ex ia (intrinsically safety)
- Ex d (flameproof encapsulation)
- Ex tb (protection by enclosures)

■ Approvals



NEC 505 (UL Ex)

Operating under arctic conditions up to temperatures of -55°C .



Extreme climatic conditions, aggressive environment?

ROSE Ex products have fulfilled the most versatile demands worldwide for years.

For more than 30 years, ROSE Ex enclosures made in stainless steel, polyester and aluminium have proved reliable Ex appliances and are being used by renowned plant contractors, EPC and owners all over the world.

Operating under tropical conditions up to temperatures +90°C.



ROSE Ex Equipment



Ex e / Ex ia Junction boxes

- Ex Junction boxes with ATEX, IECEx and other certifications
- Complete fitting with terminals, cable glands, etc.
- Material: Stainless steel, GRP Polyester, Aluminium, Polyamide

Application area:


 Ex e  Ex ia  Ex td



Flameproof enclosure systems Ex d

- Application areas II B or II C
- Ex Enclosures with ATEX, IECEx and other certifications
- Complete assembling with electromechanical components, glands etc.
- Material: Stainless steel, Aluminium

Application area:

 Ex d  Ex td



Ex e and Ex d Control Stations

- Ex Enclosures with ATEX, IECEx and other certifications
- Complete assembling with switches, push buttons, pilote lamps, glands etc.
- Material: Stainless steel, Aluminium, GRP Polyester



Various criteria must be taken into account when selecting an Ex device:

- Ex relevant criteria (zoning, temperature range, gas or dust atmosphere)
- fitting location (internal or external use, Onshore or Offshore)
- dimension (depends on the fittings)
- protective functions (ingress protection, EMC toughness)

Material specification base enclosure

Aluminium

- Light, robust metal enclosure
- good chemical resistance (see table page 10)
- can be used in wide temperature range
- EMC basic screening (complete screening optional)
- excellent machining options
- application areas: suitable for internal and external use, special version for use in aggressive or sea-water environments

Stainless steel

- corrosion-proof metal enclosure
- good chemical resistance (see table page 10)
- can be used in wide temperature range
- EMC basic screening
- application areas: suitable for internal and external use, chemical industry , Onshore and Offshore

GRP Polyester enclosures

- plastic enclosure for rough environments
- good chemical resistance (see table page 10)
- can be used in wide temperature range
- good insulation properties
- V-0 version (in accordance with UL)
- application areas: suitable for internal and external use

Chemical resistance

When assessing if an enclosure is resistant to influence of chemical substances or not, not only the enclosure material, but also the type of sealing has to be considered.

The table on page 10 only contains information as to how far materials are typically resistant to such substances. Both the concentration and the ambient temperature have to also be taken into account.

General technical information

Chemicals	Aluminium	Stainless steel	Polyester	Silicone
Acetone	+	+	-	•
Formic acid	•	+	10 %	•
Ammonia	+	+	-	+
Petroleum	+	+	+	+
Benzene	+	+	+	-
Brake fluid	/	/	+	+
Butane	+	/	/	-
Butanol	/	/	+	-
Calcium chloride	+	+	+	/
Chlorobenzene	+	/	+	-
Diesel oil	/	/	+	•
Acetic acid	+	+	40 %	-
Formaldehyde	+	+	30 %	+
Frigen 113	/	/	+	/
Fruit juice	/	+	+	+
Glycerine	+	+	+	+
Heating oil	+	+	+	•
Hydraulic oil	/	/	+	•
Lime potash	/	+	-	/
Potassium chloride	•	+	+	+
Potassium hydroxide	-	+	-	•
Linseed oil	+	+	+	•
Methanol	+	+	-	+
Methylene chloride	+	+	-	-
Lactic acid	+	+	+	/
Mineral oils	/	/	+	+
Engine oils	/	/	+	+
Sodium carbonate	•	+	+	/
Sodium chloride	•	•	+	+
Sodium hydroxide	+	+	-	•
Caustic soda	/	+	40 %	-
Nitric acid	+	+	10 %	-
Hydrochloric acid	/	+	+	/
Lubricating oil	+	+	+	+
Carbon disulfide	+	+	-	-
Sulphuric acid	•	+	70 %	25 %
Soapy lye	/	+	+	+
Detergent	/	+	/	+
Turpentine oil	/	/	+	-
Carbon tetrachloride	+	/	+	-
Toluene	+	/	+	-
Trichlorethylene	+	/	-	-
Water (distilled water, fresh water, tap water, saltwater)	/	+	+	+
Tartaric acid	/	/	+	+
Xylene	+	/	+	-
Zinc sulphate	•	/	+	+
Citric acid	+	/	+	+

Symbol definition

+ resistant to all concentrations

% resistant to a maximum concentration in %

C° resistant to maximum C°

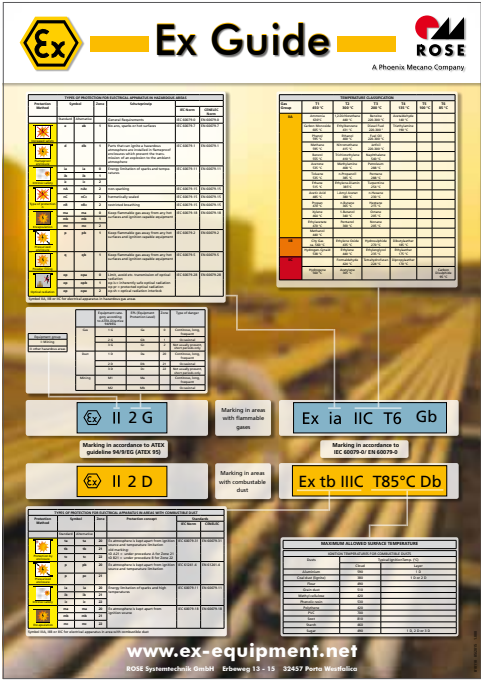
• conditional resistance

- non resistance


/ no information


Explosion protection – Basics


For detail information to explosion protection see our brochure „Ex Basics“ and Ex-Poster




Symbols

 Cross connection

 N max. no. of DIN rails

 No. of terminals

 N max. no. of internal cables

 A Current

Ex e / Ex ia Terminal enclosures / Ex Empty enclosures



Stainless steel enclosures

- Top quality for highest requirements
- More than 40 different versions
- Available in standard, flange and hinged version



Polyester enclosures

- Sturdy construction for outdoor and indoor application
- Standard and flange versions
- More than 50 different sizes and variations



Aluminium enclosures

- More than 40 different sizes





- + High-quality enclosure systems for aggressive areas according ATEX and IEC-directives
- + Empty enclosures for individual fittings and Ex e / Ex ia terminal enclosures
- + Optional version with window

Included in delivery

Empty enclosure: Enclosure system with silicone seal.

Junction box: Enclosure system - depending on version either with silicone seal, DIN rails, internal earthing connection, terminals, continuity plate, manufacturing, cable glands

Technical datas

Explosion protection	II 2G Ex e IIC T6/T5/T4 Gb II 2G Ex ia IIC T6/T5/T4 Gb II 2G Ex d e ia [ia] mb IIC T6/T5/T4 Gb II 3G Ex e d mb ia [ia] nA nC [op is] IIC T6, T5, T4 Gc II 2D Ex tb IIIC T85°C/T100°C/T135°C Db IP66
Material	Stainless steel 1.25 mm or 1.5 mm; 1.4404 / 316L
Ingress protection	IP 66 to EN 60529
Surface	grinded, grain 240
Impact resistance	7 Joule to EN 60079-0
Temperature range	Ex B: -55°C to +135°C other seals/executions see Ex approval Ex e/ia: -20°C to +40°C (acc. T6 = 80°C max. on surface temperature) -20°C to +55°C (acc. T5 = 95°C max. on surface temperature) -20°C to +90°C (acc. T4 = 130°C max. on surface temperature) to -55°C with special marking on request
Other versions on request	EMC

Ex stainless steel IG

Product overview

Ex e		Ex empty		Ex ia		Dimensions H x W x D (mm)	Weight (g)
Order no.	Product type	Order no.	Product type	Order no.	Product type		
35.10 10 06	IGExe 35010	34.10 10 06	IGExB 34010	36.10 10 06	IGExi 36010	100 x 100 x 61	581
35.15 10 06	IGExe 35015	34.15 10 06	IGExB 34015	36.15 10 06	IGExi 36015	100 x 150 x 61	737
35.15 15 08	IGExe 35020	34.15 15 08	IGExB 34020	36.15 15 08	IGExi 36020	150 x 150 x 81	1195
35.20 10 06	IGExe 35025	34.20 10 06	IGExB 34025	36.20 10 06	IGExi 36025	100 x 200 x 61	934
35.20 20 08	IGExe 35030	34.20 20 08	IGExB 34030	36.20 20 08	IGExi 36030	200 x 200 x 81	1812
35.20 20 12	IGExe 35035	34.20 20 12	IGExB 34035	36.20 20 12	IGExi 36035	200 x 200 x 121	2126
35.30 15 08	IGExe 35040	34.30 15 08	IGExB 34040	36.30 15 08	IGExi 36040	150 x 300 x 81	1913
35.30 20 08	IGExe 35045	34.30 20 08	IGExB 34045	36.30 20 08	IGExi 36045	200 x 300 x 81	2387
35.30 20 12	IGExe 35050	34.30 20 12	IGExB 34050	36.30 20 12	IGExi 36050	200 x 300 x 121	2790
35.30 30 12	IGExe 35055	34.30 30 12	IGExB 34055	36.30 30 12	IGExi 36055	300 x 300 x 121	3812
35.30 30 16	IGExe 35060	34.30 30 16	IGExB 34060	36.30 30 16	IGExi 36060	300 x 300 x 161	4121
35.38 38 16	IGExe 35065	34.38 38 16	IGExB 34065	36.38 38 16	IGExi 36065	380 x 380 x 161	5858
35.40 15 08	IGExe 35070	34.40 15 08	IGExB 34070	36.40 15 08	IGExi 36070	150 x 400 x 81	2390
35.40 20 12	IGExe 35075	34.40 20 12	IGExB 34075	36.40 20 12	IGExi 36075	200 x 400 x 121	3403
35.40 30 16	IGExe 35080	34.40 30 16	IGExB 34080	36.40 30 16	IGExi 36080	300 x 400 x 161	5288
35.50 30 16	IGExe 35085	34.50 30 16	IGExB 34085	36.50 30 16	IGExi 36085	300 x 500 x 161	6257
35.50 40 16	IGExe 35090	34.50 40 16	IGExB 34090	36.50 40 16	IGExi 36090	400 x 500 x 161	7353
35.60 20 12	IGExe 35095	34.60 20 12	IGExB 34095	36.60 20 12	IGExi 36095	200 x 600 x 121	5818
35.99 99 99	IGExe 35999	34.99 99 99	IGExB 34100	36.99 99 99	IGExi 36999	Special size on request	

Terminal mounting

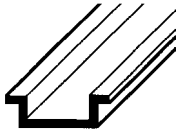
Make	Phoenix Contact											
	TS 15	TS 15	TS 35	TS 35	TS 35	TS 35	TS 35	TS 35	TS 35	TS 35	TS 35	
DIN rail	TS 15	TS 15	TS 35	TS 35	TS 35	TS 35	TS 35	TS 35	TS 35	TS 35	TS 35	
Nominal cross section (mm ²)	2,5	4	2,5	4	6	10	16	35	50	95	150	
Voltage (V)	352	352	690	690	690	690	690	690	690	880	1100	
Terminal width (mm)	5,2	6,2	5,2	6,2	8,2	10,2	12,2	16,2	20	25	31	
Terminal type												
Enclosure type	MUT 2,5	MUT 4	UT 2,5	UT 4	UT 6	UT 10	UT 16	UT 35	UKH 50	UKH 95	UKH 150	PE bar 1,5 to 6 mm ²
XX.10 10 06	10	8										3
XX.15 10 06	19	16										6
XX.15 15 08	19	16	19	16	12	10	8					6
XX.20 10 06	29	24										8
XX.20 20 08	58	48	58	48	36	28	12					8
XX.20 20 12	58	48	58	48	36	28	12	10				8
XX.30 15 08	48	40	48	40	30	24	20					13
XX.30 20 08	96	80	96	80	60	24	20					13
XX.30 20 12	96	80	96	80	60	24	20	15				13
XX.30 30 12	96	80	96	80	60	48	20	15	12			13
XX.30 30 16	96	80	96	80	60	48	40	15	12			13
XX.38 38 16	189	159	189	159	120	96	81	40	16	13	10	18
XX.40 15 08	67	53	67	53	42	34	28					19
XX.40 20 12	134	106	134	106	84	68	28	21	17			19
XX.40 30 16	134	106	134	106	84	68	28	21	17	14		19
XX.50 30 16	172	144	172	144	110	88	74	27	22	18		24
XX.50 40 16	344	288	344	288	220	132	111	54	44	18	12	24
XX.60 20 12	212	178	212	178	134	54	45	34	27			29

Other supplier on request

Accessories

Order no.	DIN rails	External mounting brackets	Mounting plate
XX.10 10 06	•	•	•
XX.15 10 06	•	•	•
XX.15 15 08	•	•	•
XX.20 10 06	•	•	•
XX.20 20 08	•	•	•
XX.20 20 12	•	•	•
XX.30 15 08	•	•	•
XX.30 20 08	•	•	•
XX.30 20 12	•	•	•
XX.30 30 12	•	•	•
XX.30 30 16	•	•	•
XX.38 38 16	•	•	•
XX.40 15 08	•	•	•
XX.40 20 12	•	•	•
XX.40 30 16	•	•	•
XX.50 30 16	•	•	•
XX.50 40 16	•	•	•
XX.60 20 12	•	•	•
XX.99 99 99			

DIN rails



Order no.	Version
10.06 14 41	TS 35/7.5 for XX.10 10 069
10.06 14 35	TS 35/7.5 for XX.15 10 06, XX.15 15 08
10.06 14 37	TS 35/7.5 for XX.20 10 06, XX.20 20 08, XX.20 20 12
10.06 14 36	TS 35/7.5 for XX.30 15 08, XX.30 20 08, XX.30 20 12, XX.30 30 12, XX.30 30 16
10.06 14 39	TS 35/7.5 for XX.38 38 16
10.06 14 38	TS 35/7.5 for XX.40 15 08, XX.40 20 12, XX.40 30 16
10.06 14 40	TS 35/7.5 for XX.50 30 16, XX.50 40 16
10.06 14 42	TS 35/7.5 for XX.60 20 12

External hinges

Set = 2 pcs

Order no.
37.00 00 02

Ex stainless steel IG

Accessories

External mounting brackets

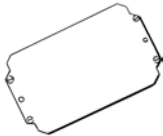


set = 4 pcs

Order no.

37.10 50 00

Mounting plate



Order no.

Version

10.01 10 53	for XX.10 10 06
10.01 10 43	for XX.40 20 12
10.01 10 38	for XX.15 15 08
10.01 10 55	for XX.20 10 06
10.01 10 40	for XX.20 20 08, XX.20 20 12
10.01 10 39	for XX.30 15 08
10.01 10 41	for XX.30 20 08, XX.30 20 12
10.01 10 44	for XX.30 30 12, XX.30 30 16, XX.00 33 16
10.01 10 45	for XX.38 38 16, XX.00 44 16, XX.00 44 21
10.01 10 56	for XX.40 15 08
10.01 10 48	for XX.40 30 16
10.01 10 57	for XX.50 30 16, XX.00 53 16
10.01 10 49	for XX.50 40 16
10.01 10 58	for XX.60 20 12

Mounting set

Order no.

37.99 00 01

PE bar



Order no.

Version

12.05 43 01	for XX.10 10 06
12.05 43 02	for XX.15 10 06, XX.15 15 08
12.05 43 04	for XX.20 10 06, XX.20 20 08, XX.00 22 09, XX.00 22 15
12.05 43 07	for XX.30 15 08, XX.30 20 08, XX.30 20 12, XX.30 30 12, XX.30 30 16, XX.00 33 16
12.05 43 12	for XX.38 38 16, XX.00 44 16, XX.00 44 21
12.05 43 13	for XX.40 15 08, XX.40 20 12, XX.40 30 16
12.05 43 16	for XX.50 30 16, XX.50 40 16, XX.00 53 16
12.05 43 17	for XX.60 20 12, XX.00 63 16, XX.00 64 21

Technical details



Order no.	Product type	Dimensions H x W x D (mm)
34.10 10 06	IGExB 34010	100 x 100 x 61
35.10 10 06	IGExe 35010	100 x 100 x 61
36.10 10 06	IGExi 36010	100 x 100 x 61

Maximum number of cable glands to DIN 50262



M	Side		PG	Side	
	A/B	C/D		A/B	C/D
12	6	4	7	6	4
16	2		9	3	3
20	2		11	2	2
25			13,5	2	
32			16	2	
40			21		
50			29		
63			36		
75			42		
85			48		

DIN rail	TS 15
Length (mm)	90
max. fitting length (mm)	52
External earth (mm ²)	6

	1,5	2,5	4	6	10	16	25	35	50	70	95
**	11	11	7	7							
N	1	1	1	1							
x A	6										
	10	19	36								
	16	7	13	22							
	20	3	8	14	23						
	25		4	8	14						
	35			2	6						
	50										
	63										
	80										
	100										
	125										
	160										
	200										
	225										
	250										
	315										
	400										
500											



Order no.	Product type	Dimensions H x W x D (mm)
34.15 10 06	IGExB 34015	100 x 150 x 61
35.15 10 06	IGExe 35015	100 x 150 x 61
36.15 10 06	IGExi 36015	100 x 150 x 61

Maximum number of cable glands to DIN 50262



M	Side		PG	Side	
	A/B	C/D		A/B	C/D
12	11	4	7	11	4
16	4		9	6	3
20	3		11	4	2
25			13,5	3	
32			16	3	
40			21		
50			29		
63			36		
75			42		
85			48		

DIN rail	TS 15
Length (mm)	140
max. fitting length (mm)	102
External earth (mm ²)	6

	1,5	2,5	4	6	10	16	25	35	50	70	95
**	20	20	16	12							
N	1	1	1	1							
x A	6										
	10	21	38								
	16	8	14	24							
	20	3	9	15	25						
	25		4	9	15						
	35			2	7						
	50										
	63										
	80										
	100										
	125										
	160										
	200										
	225										
	250										
	315										
	400										
500											

Ex stainless steel IG

Technical details



Order no.	Product type	Dimensions H x W x D (mm)
34.15 15 08	IGExB 34020	150 x 150 x 81
35.15 15 08	IGExe 35020	150 x 150 x 81
36.15 15 08	IGExi 36020	150 x 150 x 81

	1,5	2,5	4	6	10	16	25	35	50	70	95
**	24	20	16	12	10	8					
	1	1	1	1	1	1					
x A	6										
	10	27	50								
	16	10	19	31							
	20	4	11	20	33						
	25		5	12	20						
	35			3	9	18					
	50					7	15				
	63					2	8				
	80						3				
	100										
	125										
	160										
	200										
	225										
	250										
	315										
400											
500											

Maximum number of cable glands to DIN 50262



M	Side		PG	Side	
	A/B	C/D		A/B	C/D
12	15	12	7	15	12
16	8	5	9	9	7
20	6	4	11	8	5
25	3	3	13,5	6	4
32	2		16	4	3
40			21	3	3
50			29	2	
63			36		
75			42		
85			48		

DIN rail	TS 35
Length (mm)	140
max. fitting length (mm)	102
External earth (mm ²)	16



Order no.	Product type	Dimensions H x W x D (mm)
34.20 10 06	IGExB 34025	100 x 200 x 61
35.20 10 06	IGExe 35025	100 x 200 x 61
36.20 10 06	IGExi 36025	100 x 200 x 61

	1,5	2,5	4	6	10	16	25	35	50	70	95
**	30	30	24	18							
	1	1	1	1							
x A	6										
	10	21	39								
	16	8	14	24							
	20	3	9	15	26						
	25		4	9	15						
	35			3	7						
	50										
	63										
	80										
	100										
	125										
	160										
	200										
	225										
	250										
	315										
400											
500											

Maximum number of cable glands to DIN 50262



M	Side		PG	Side	
	A/B	C/D		A/B	C/D
12	16	4	7	16	4
16	6		9	9	3
20	5		11	6	2
25			13,5	5	
32			16	5	
40			21		
50			29		
63			36		
75			42		
85			48		

DIN rail	TS 15
Length (mm)	190
max. fitting length (mm)	152
External earth (mm ²)	6

Technical details



Order no.	Product type	Dimensions H x W x D (mm)
34.20 20 08	IGExB 34030	200 x 200 x 81
35.20 20 08	IGExe 35030	200 x 200 x 81
36.20 20 08	IGExi 36030	200 x 200 x 81

M	Side		PG	Side	
	A/B	C/D		A/B	C/D
12	24	18	7	24	18
16	12	7	9	14	10
20	10	6	11	12	7
25	4	4	13,5	10	6
32	3		16	6	5
40			21	4	4
50			29	3	
63			36		
75			42		
85			48		

DIN rail	TS 35
Length (mm)	190
max. fitting length (mm)	152
External earth (mm ²)	16

Maximum number of cable glands to DIN 50262

M	Side		PG	Side	
	A/B	C/D		A/B	C/D
12	24	18	7	24	18
16	12	7	9	14	10
20	10	6	11	12	7
25	4	4	13,5	10	6
32	3		16	6	5
40			21	4	4
50			29	3	
63			36		
75			42		
85			48		

DIN rail	TS 35
Length (mm)	190
max. fitting length (mm)	152
External earth (mm ²)	16



Order no.	Product type	Dimensions H x W x D (mm)
34.20 20 12	IGExB 34035	200 x 200 x 121
35.20 20 12	IGExe 35035	200 x 200 x 121
36.20 20 12	IGExi 36035	200 x 200 x 121

M	Side		PG	Side	
	A/B	C/D		A/B	C/D
12	48	45	7	48	45
16	22	20	9	28	28
20	16	18	11	22	20
25	8	8	13,5	16	18
32	5	4	16	12	12
40	2	2	21	8	8
50	2	2	29	5	4
63	2	2	36	2	2
75			42	2	2
85			48		

DIN rail	TS 35
Length (mm)	190
max. fitting length (mm)	152
External earth (mm ²)	16

Maximum number of cable glands to DIN 50262

M	Side		PG	Side	
	A/B	C/D		A/B	C/D
12	48	45	7	48	45
16	22	20	9	28	28
20	16	18	11	22	20
25	8	8	13,5	16	18
32	5	4	16	12	12
40	2	2	21	8	8
50	2	2	29	5	4
63	2	2	36	2	2
75			42	2	2
85			48		

DIN rail	TS 35
Length (mm)	190
max. fitting length (mm)	152
External earth (mm ²)	16

Ex stainless steel IG

Technical details



Order no.	Product type	Dimensions H x W x D (mm)
34.30 15 08	IGExB 34040	150 x 300 x 81
35.30 15 08	IGExe 35040	150 x 300 x 81
36.30 15 08	IGExi 36040	150 x 300 x 81

		1,5	2,5	4	6	10	16	25	35	50	70	95
	**	61	50	41	31	25	21					
	N	1	1	1	1	1	1					
	6											
	10	30	55									
	16	11	21	34								
	20	5	13	22	37							
	25		6	13	22							
	35			4	10	20						
	50					8	16					
	63					2	9					
	80						3					
	100											
	125											
	160											
	200											
	225											
	250											
	315											
	400											
500												

Maximum number of cable glands to DIN 50262



M	Side		PG	Side	
	A/B	C/D		A/B	C/D
12	42	12	7	42	12
16	20	6	9	23	7
20	17	4	11	20	5
25	7	3	13,5	17	4
32	5		16	10	3
40			21	7	3
50			29	5	
63			36		
75			42		
85			48		

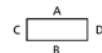
DIN rail	TS 35
Length (mm)	290
max. fitting length (mm)	252
External earth (mm ²)	16



Order no.	Product type	Dimensions H x W x D (mm)
34.30 20 08	IGExB 34045	200 x 300 x 81
35.30 20 08	IGExe 35045	200 x 300 x 81
36.30 20 08	IGExi 36045	200 x 300 x 81

		1,5	2,5	4	6	10	16	25	35	50	70	95
	**	120	96	80	60	24	20					
	N	2	2	2	2	1	1					
	6											
	10	35	63									
	16	13	24	39								
	20	5	14	25	42							
	25		7	15	25							
	35			4	11	23						
	50					9	19					
	63					3	10					
	80						4					
	100											
	125											
	160											
	200											
	225											
	250											
	315											
	400											
500												

Maximum number of cable glands to DIN 50262



M	Side		PG	Side	
	A/B	C/D		A/B	C/D
12	42	18	7	42	18
16	20	7	9	23	10
20	17	6	11	20	7
25	7	4	13,5	17	6
32	5		16	10	5
40			21	7	4
50			29	5	
63			36		
75			42		
85			48		

DIN rail	TS 35
Length (mm)	290
max. fitting length (mm)	252
External earth (mm ²)	16

Technical details



Order no.	Product type	Dimensions H x W x D (mm)
34.30 20 12	IGExB 34050	200 x 300 x 121
35.30 20 12	IGExe 35050	200 x 300 x 121
36.30 20 12	IGExi 36050	200 x 300 x 121

	1,5	2,5	4	6	10	16	25	35	50	70	95
	120	96	80	60	24	20	16	16			
	2	2	2	2	1	1	1	1			
	6										
	10	42	76								
	16	16	28	47							
	20	6	17	30	51						
	25		8	18	30						
	35			5	14	27					
	50				2	11	22	73			
	63					4	12	24			
	80						5	13	22		
	100							6	12		
	125								5		
	160										
	200										
	225										
	250										
	315										
	400										
500											

Maximum number of cable glands to DIN 50262



M	Side		PG	Side	
	A/B	C/D		A/B	C/D
12	84	45	7	84	45
16	38	20	9	48	28
20	28	18	11	38	20
25	14	8	13,5	28	18
32	9	4	16	24	12
40	4	2	21	14	8
50	3	2	29	9	4
63	3	2	36	4	2
75			42	3	2
85			48		

DIN rail	TS 35
Length (mm)	290
max. fitting length (mm)	252
External earth (mm ²)	16



Order no.	Product type	Dimensions H x W x D (mm)
34.30 30 12	IGExB 34055	300 x 300 x 121
35.30 30 12	IGExe 35055	300 x 300 x 121
36.30 30 12	IGExi 36055	300 x 300 x 121

	1,5	2,5	4	6	10	16	25	35	50	70	95
	120	96	80	60	48	20	16	16	12		
	2	2	2	2	2	1	1	1	1		
	6										
	10	48	87								
	16	18	33	54							
	20	8	20	34	58						
	25		10	21	35						
	35			6	16	31					
	50				2	13	26	84			
	63					4	14	28			
	80						6	15	25		
	100							7	14	25	
	125								6	13	
	160									5	
	200										
	225										
	250										
	315										
	400										
500											

Maximum number of cable glands to DIN 50262



M	Side		PG	Side	
	A/B	C/D		A/B	C/D
12	84	75	7	84	75
16	38	32	9	48	46
20	28	27	11	38	32
25	14	14	13,5	28	27
32	9	7	16	24	24
40	4	4	21	14	14
50	3	3	29	9	7
63	3	3	36	4	4
75			42	3	3
85			48		

DIN rail	TS 35
Length (mm)	290
max. fitting length (mm)	252
External earth (mm ²)	25

Ex stainless steel IG

Technical details



Order no.	Product type	Dimensions H x W x D (mm)
34.30 30 16	IGExB 34060	300 x 300 x 161
35.30 30 16	IGExe 35060	300 x 300 x 161
36.30 30 16	IGExi 36060	300 x 300 x 161

		1,5	2,5	4	6	10	16	25	35	50	70	95
	**	126	102	87	63	51	40	16	16	12		
	N	2	2	2	2	2	2	1	1	1		
	6											
	10	55	100									
	16	21	38	62								
	20	9	23	39	67							
	25		11	24	40							
	35			7	18	36						
	50				2	15	30	96				
	63					5	16	32				
	80							6	17	29		
	100								8	16	29	
	125									7	15	
	160										6	
	200											
	225											
	250											
	315											
	400											
500												

Maximum number of cable glands to DIN 50262



M	Side		PG	Side	
	A/B	C/D		A/B	C/D
12	112	120	7	112	120
16	54	50	9	74	69
20	45	45	11	54	50
25	22	21	13,5	45	45
32	14	12	16	33	32
40	8	8	21	22	21
50	6	6	29	14	12
63	5	4	36	8	8
75			42	6	6
85			48		

DIN rail	TS 35
Length (mm)	290
max. fitting length (mm)	252
External earth (mm ²)	25



Order no.	Product type	Dimensions H x W x D (mm)
34.38 38 16	IGExB 34065	380 x 380 x 161
35.38 38 16	IGExe 35065	380 x 380 x 161
36.38 38 16	IGExi 36065	380 x 380 x 161

		1,5	2,5	4	6	10	16	25	35	50	70	95
	**	240	195	162	123	99	81	44	44	17	13	13
	N	3	3	3	3	3	3	2	2	1	1	1
	6											
	10	62	113									
	16	24	43	71								
	20	10	26	45	75							
	25		13	28	45							
	35			8	21	41						
	50				3	16	34	109				
	63					6	19	36				
	80						7	19	33			
	100							9	18	33		
	125								8	17	32	
	160									7	15	26
	200										6	13
	225										2	8
	250											4
	315											
	400											
500												

Maximum number of cable glands to DIN 50262



M	Side		PG	Side	
	A/B	C/D		A/B	C/D
12	152	152	7	152	152
16	75	65	9	102	90
20	58	58	11	78	65
25	30	27	13,5	58	58
32	18	17	16	45	44
40	10	10	21	30	27
50	8	8	29	18	17
63	6	5	36	10	10
75			42	8	8
85			48		

DIN rail	TS 35
Length (mm)	370
max. fitting length (mm)	332
External earth (mm ²)	50

Technical details



Order no.	Product type	Dimensions H x W x D (mm)
34.40 15 08	IGExB 34070	150 x 400 x 81
35.40 15 08	IGExe 35070	150 x 400 x 81
36.40 15 08	IGExi 36070	150 x 400 x 81

		1,5	2,5	4	6	10	16	25	35	50	70	95
	**	85	69	58	43	35	29					
	N	1	1	1	1	1	1					
	x A	6										
		10	30	56								
		16	12	21	35							
		20	5	13	22	37						
		25		6	13	22						
		35			4	10	20					
		50					8	16				
		63					2	9				
		80						3				
		100										
		125										
		160										
		200										
		225										
		250										
		315										
		400										
500												

Maximum number of cable glands to DIN 50262



M	Side		PG	Side	
	A/B	C/D		A/B	C/D
12	57	12	7	57	12
16	29	6	9	32	7
20	24	4	11	28	5
25	9	3	13,5	24	4
32	7		16	14	3
40			21	9	3
50			29	7	
63			36		
75			42		
85			48		

DIN rail	TS 35
Length (mm)	390
max. fitting length (mm)	352
External earth (mm ²)	16



Order no.	Product type	Dimensions H x W x D (mm)
34.40 20 12	IGExB 34075	200 x 400 x 121
35.40 20 12	IGExe 35075	200 x 400 x 121
36.40 20 12	IGExi 36075	200 x 400 x 121

		1,5	2,5	4	6	10	16	25	35	50	70	95
	**	172	138	116	88	70	29	23	23	18		
	N	2	2	2	2	2	1	1	1	1		
	x A	6										
		10	43	78								
		16	16	29	48							
		20	7	18	31	52						
		25		9	19	31						
		35			6	14	28					
		50				2	11	23	74			
		63					4	13	25			
		80						5	13	23		
		100							6	12	23	
		125								5	12	
		160									4	
		200										
		225										
		250										
		315										
		400										
500												

Maximum number of cable glands to DIN 50262



M	Side		PG	Side	
	A/B	C/D		A/B	C/D
12	120	45	7	120	45
16	52	20	9	68	28
20	40	18	11	52	20
25	20	8	13,5	40	18
32	13	4	16	33	12
40	6	2	21	20	8
50	5	2	29	13	4
63	4	2	36	6	2
75			42	5	2
85			48		

DIN rail	TS 35
Length (mm)	390
max. fitting length (mm)	352
External earth (mm ²)	25

Ex stainless steel IG

Technical details



Order no.	Product type	Dimensions H x W x D (mm)
34.40 30 16	IGExB 34080	300 x 400 x 161
35.40 30 16	IGExe 35080	300 x 400 x 161
36.40 30 16	IGExi 36080	300 x 400 x 161

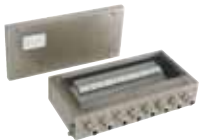
		1,5	2,5	4	6	10	16	25	35	50	70	95	
	**	172	138	116	88	70	29	23	23	18	14	14	
	N	2	2	2	2	2	1	1	1	1	1	1	
 x A	6												
	10	58	106										
	16	22	40	66									
	20	9	25	42	71								
	25		12	26	42								
	35			8	19	38							
	50				3	15	31	102					
	63					5	17	34					
	80						7	18	31				
	100							8	17	31			
	125								7	16	30		
	160									6	14	25	
	200										5	12	
	225											2	7
	250												4
	315												
	400												
500													

Maximum number of cable glands to DIN 50262



M	Side		PG	Side	
	A/B	C/D		A/B	C/D
12	160	120	7	160	120
16	102	50	9	105	69
20	60	45	11	78	50
25	32	21	13,5	60	45
32	20	12	16	48	32
40	11	8	21	32	21
50	9	6	29	20	12
63	7	4	36	11	8
75			42	9	6
85			48		

DIN rail	TS 35
Length (mm)	390
max. fitting length (mm)	352
External earth (mm ²)	50



Order no.	Product type	Dimensions H x W x D (mm)
34.50 30 16	IGExB 34085	300 x 500 x 161
35.50 30 16	IGExe 35085	300 x 500 x 161
36.50 30 16	IGExi 36085	300 x 500 x 161

		1,5	2,5	4	6	10	16	25	35	50	70	95	
	**	214	172	144	108	88	72	29	29	26	18	18	
	N	2	2	2	2	2	2	1	1	1	1	1	
 x A	6												
	10	60	109										
	16	23	41	68									
	20	10	25	43	72								
	25		12	27	43								
	35			8	20	39							
	50				3	16	32	105					
	63					5	18	35					
	80						7	19	32				
	100							9	17	32			
	125								7	17	31		
	160									6	14	25	
	200										6	12	
	225											2	7
	250												4
	315												
	400												
500													

Maximum number of cable glands to DIN 50262



M	Side		PG	Side	
	A/B	C/D		A/B	C/D
12	208	120	7	208	120
16	102	50	9	137	69
20	80	45	11	102	50
25	42	21	13,5	80	45
32	28	12	16	63	32
40	14	8	21	42	21
50	12	6	29	28	12
63	9	4	36	14	8
75			42	12	6
85			48		

DIN rail	TS 35
Length (mm)	490
max. fitting length (mm)	452
External earth (mm ²)	50

Technical details



Order no.	Product type	Dimensions H x W x D (mm)
34.50 40 16	IGExB 34090	400 x 500 x 161
35.50 40 16	IGExe 35090	400 x 500 x 161
36.50 40 16	IGExi 36090	400 x 500 x 161

Maximum number of cable glands to DIN 50262



M	Side		PG	Side	
	A/B	C/D		A/B	C/D
12	208	164	7	208	164
16	102	70	9	137	96
20	80	63	11	102	70
25	42	28	13,5	80	63
32	28	18	16	63	44
40	14	12	21	42	28
50	12	8	29	28	18
63	9	6	36	14	12
75			42	12	8
85			48		

DIN rail	TS 35
Length (mm)	490
max. fitting length (mm)	452
External earth (mm ²)	95

	1,5	2,5	4	6	10	16	25	35	50	70	95	120	150	185	240
	**	425	345	290	215	140	87	46	46	36	14	14	11	11	
		4	4	4	4	3	3	2	2	2	1	1	1	1	
		4	4	4	4	3	3	2	2	2	1	1	1	1	
6															
10	68	123													
16	26	46	77												
20	11	28	48	82											
25		14	30	49											
35			9	23	44										
50				3	18	36	118								
63					6	20	40								
80						8	21	36							
100							10	19	36						
125								8	19	35					
160									7	16	29	73			
200										6	14	23	40		
225										2	8	15	24		
250											5	10	17		
315												2	6		
400															
500															



Order no.	Product type	Dimensions H x W x D (mm)
34.60 20 12	IGExB 34095	200 x 600 x 121
35.60 20 12	IGExe 35095	200 x 600 x 121
36.60 20 12	IGExi 36095	200 x 600 x 121

Maximum number of cable glands to DIN 50262



M	Side		PG	Side	
	A/B	C/D		A/B	C/D
12	192	45	7	192	45
16	64	20	9	108	28
20	64	18	11	84	20
25	32	8	13,5	64	18
32	22	4	16	51	12
40	10	2	21	32	8
50	8	2	29	22	4
63	7	2	36	10	2
75			42	8	2
85			48		

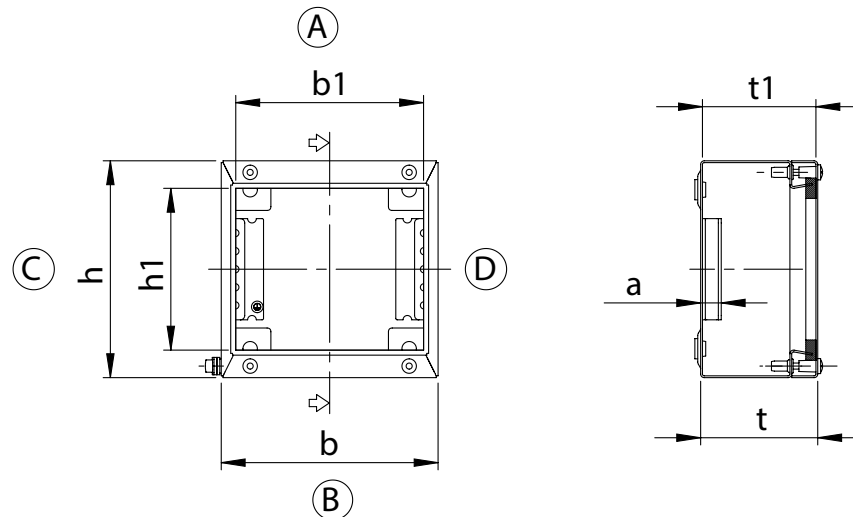
DIN rail	TS 35
Length (mm)	590
max. fitting length (mm)	552
External earth (mm ²)	25

	1,5	2,5	4	6	10	16	25	35	50	70	95
	**	262	212	178	134	54	45	36	36	27	
		2	2	2	2	1	1	1	1	1	
		2	2	2	2	1	1	1	1	1	
6											
10	43	78									
16	16	29	49								
20	7	18	31	52							
25		9	19	31							
35			6	14	28						
50				2	11	23	75				
63					4	13	25				
80						5	13	23			
100							6	12	23		
125								5	12		
160									4		
200											
225											
250											
315											
400											
500											

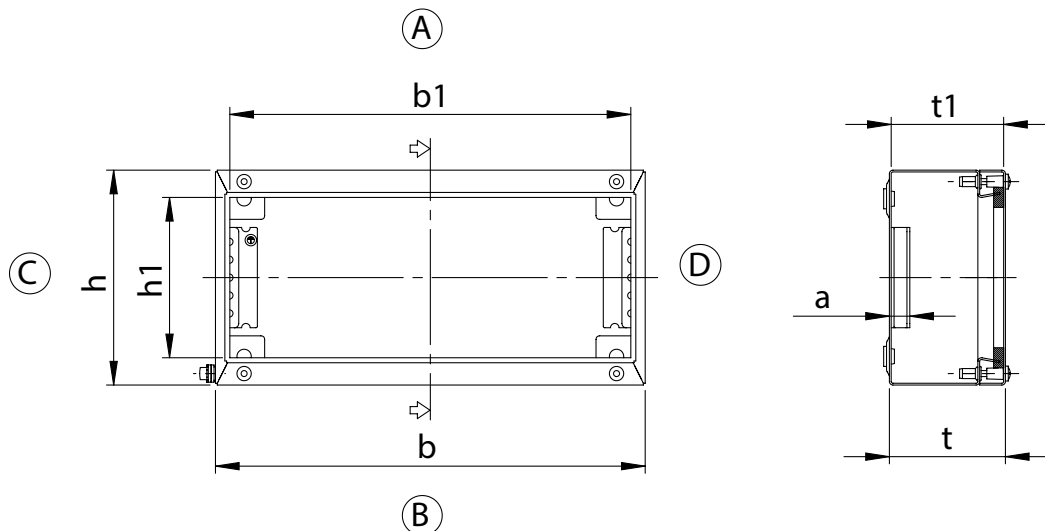
Ex stainless steel IG

Technical details

Order no.	b	h	t	b1	h1	t1	a
XX.10 10 06	100	100	61	97,5	97,5	58,5	13
XX.15 15 08	150	150	81	147,5	147,5	78,5	13
XX.20 20 08	200	200	81	197,5	197,5	78,5	13
XX.20 20 12	200	200	121	197,5	197,5	118,5	13
XX.30 30 12	300	300	121	297,5	297,5	118,5	13
XX.30 30 16	300	300	161	297,5	297,5	158,5	13
XX.38 38 16	380	380	161	377,5	377,5	158,5	13



Order no.	b	h	t	b1	h1	t1	a
XX.15 10 06	150	100	61	147,5	97,5	58,5	13
XX.20 10 06	200	100	61	197,5	97,5	58,5	13
XX.30 15 08	300	150	81	297,5	147,5	78,5	13
XX.30 20 08	300	200	81	297,5	197,5	78,5	13
XX.30 20 12	300	200	121	297,5	197,5	118,5	13
XX.40 15 08	400	150	81	397,5	147,5	78,5	13
XX.40 20 12	400	200	121	397,5	197,5	118,5	13
XX.40 30 16	400	300	161	397,5	297,5	158,5	13
XX.50 30 16	500	300	161	497,5	297,5	158,5	13
XX.50 40 16	500	400	161	497,5	397,5	158,5	13
XX.60 20 12	600	200	121	597	197	118	13



Detail drawings see www.rose-pw.de

Ex stainless steel flange ProtEx



- + Top quality stainless steel flange enclosures for aggressive environments
- + Empty enclosure for individual fittings or Ex e / Ex ia junction box
- + Standard with 1 flange, optional up to 4 flanges

Included in delivery

Empty enclosure: Enclosure with hinged lid, doubleward lock, flange plates (3 mm) silicone lid seal, silicone flange seal, welded external brackets, external earth bolt M10, internal fixing bolts, from enclosure type 9 with lid lifting device.

Junction box: Enclosure system - as before with individual fitting, DIN rail, terminals, cable glands

Technical datas

Explosion protection	II 2G Ex e IIC T6/T5/T4 Gb II 2G Ex ia IIC T6/T5/T4 Gb II 2G Ex d e ia [ia] mb IIC T6/T5/T4 Gb II 3G Ex e d mb ia [ia] nA nC [op is] IIC T6, T5, T4 Gc II 2D Ex tb IIIC T85°C/T100°C/T135°C Db IP66
Material	Stainless Steel 1.5 mm, 1.4404/316L
Ingress protection	IP 66 to EN 60529
Surface	grinded, grain 240
Impact resistance	7 Joule to EN 60079-0
Temperature range	Ex B: -55°C to +135°C other seals/executions see Ex approval Ex e /ia: -20°C to +40°C (acc. T6 = 80°C max. on surface temperature) -20°C to +55°C (acc. T5 = 95°C max. on surface temperature) -20°C to +90°C (acc. T4 = 130°C max. on surface temperature) to -55°C with special marking on request
Other versions on request	EMC, electropolished

Ex stainless steel flange ProtEx

Product overview

Ex e		Ex empty		Ex ia		Dimensions H x W x D (mm)	Weight (g)
Order no.	Product type	Order no.	Product type	Order no.	Product type		
35.06 02 00	ProtExe 02	34.06 02 00	ProtExB 02	36.06 02 00	ProtExi 02	260 x 260 x 205	4870
35.06 03 00	ProtExe 03	34.06 03 00	ProtExB 03	36.06 03 00	ProtExi 03	306 x 306 x 205	6010
35.06 04 00	ProtExe 04	34.06 04 00	ProtExB 04	36.06 04 00	ProtExi 04	380 x 260 x 205	6360
35.06 05 00	ProtExe 05	34.06 05 00	ProtExB 05	36.06 05 00	ProtExi 05	458 x 382 x 205	9120
35.06 06 00	ProtExe 06	34.06 06 00	ProtExB 06	36.06 06 00	ProtExi 06	480 x 480 x 205	11010
35.06 07 00	ProtExe 07	34.06 07 00	ProtExB 07	36.06 07 00	ProtExi 07	500 x 350 x 205	9190
35.06 08 00	ProtExe 08	34.06 08 00	ProtExB 08	36.06 08 00	ProtExi 08	620 x 450 x 205	12790
35.06 09 00	ProtExe 09	34.06 09 00	ProtExB 09	36.06 09 00	ProtExi 09	740 x 550 x 205	18200
35.06 10 00	ProtExe 10	34.06 10 00	ProtExB 10	36.06 10 00	ProtExi 10	762 x 508 x 205	13930
35.06 11 00	ProtExe 11	34.06 11 00	ProtExB 11	36.06 11 00	ProtExi 11	860 x 640 x 205	18540
35.06 12 00	ProtExe 12	34.06 12 00	ProtExB 12	36.06 12 00	ProtExi 12	914 x 610 x 205	23460
35.06 13 00	ProtExe 13	34.06 13 00	ProtExB 13	36.06 13 00	ProtExi 13	980 x 740 x 205	19040

Terminal mounting

Make	Phoenix Contact											
	TS 15	TS 15	TS 35	TS 35	TS 35	TS 35	TS 35	TS 35	TS 35	TS 35	TS 35	TS 35
DIN rail	TS 15	TS 15	TS 35	TS 35	TS 35	TS 35	TS 35	TS 35	TS 35	TS 35	TS 35	TS 35
Nominal cross section (mm ²)	2,5	4	2,5	4	6	10	16	35	50	95	150	240
Voltage (V)	352	352	690	690	690	690	690	690	690	880	1100	1100
Terminal width (mm)	5,2	6,2	5,2	6,2	8,2	10,2	12,2	16,2	20	25	31	36
Terminal type												
Enclosure type	MUT 2,5	MUT 4	UT 2,5	UT 4	UT 6	UT 10	UT 16	UT 35	UKH 50	UKH 95	UKH 150	UKH 240
XX.06 02 00	87	72	87	72	54	30	24	9	7			
XX.06 03 00	152	96	152	96	7	58	32	24	9	7		
XX.06 04 00	145	96	145	96	72	60	36	18	14	4		
XX.06 05 00	260	176	260	176	132	104	66	34	26	11	8	7
XX.06 06 00	355	300	355	300	180	146	120	69	36	28	12	10
XX.06 07 00	230	195	230	195	116	69	57	45	24	9	7	6
XX.06 08 00	600	504	600	504	376	228	160	96	57	30	12	10
XX.06 09 00	935	639	935	639	486	301	252	110	44	34	14	12
XX.06 10 00	847	640	847	640	480	312	229	125	60	32	12	11
XX.06 11 00	1326	935	1326	935	715	468	344	165	104	63	34	2
XX.06 12 00	1344	972	1344	972	732	441	328	186	100	60	32	26
XX.06 13 00	1815	1326	1815	1326	1001	620	459	234	155	75	40	34

Other supplier on request

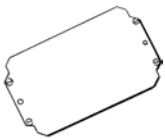
Accessories

Blind flange



Order no.	Version
34.06 50 03	F2, for XX.06 02 00, XX.06 04 00
34.06 50 04	F3, for XX.06 03 00, XX.06 11 00, XX.06 12 00,
34.06 50 05	F4, for XX.06 05 00, XX.06 07 00, XX.06 13 00,
34.06 50 07	F6, for XX.06 06 00, XX.06 08 00, XX.06 10 00
34.06 50 08	F7, for XX.06 09 00

Mounting plates



Order no.	Version
34.04 51 02	for XX.06 02 00
34.04 51 03	for XX.06 03 00
34.04 51 04	for XX.06 04 00
34.04 51 05	for XX.06 05 00
34.04 51 06	for XX.06 06 00
34.04 51 07	for XX.06 07 00
34.04 51 08	for XX.06 08 00
34.04 51 09	for XX.06 09 00
34.04 51 10	for XX.06 10 00
34.04 51 11	for XX.06 11 00
34.04 51 12	for XX.06 12 00
34.04 51 13	for XX.06 13 00

Ex stainless steel flange ProtEx

Technical details



Order no.	Product type	Dimensions H x W x D (mm)
34.06 02 00	ProtExB 02	260 x 260 x 205
35.06 02 00	ProtExe 02	260 x 260 x 205
36.06 02 00	ProtExi 02	260 x 260 x 205

		1,5	2,5	4	6	10	16	25	35	50	70	95
	***	99	81	66	51	26	22	9	9	7	5	
	N	3	3	3	3	2	2	1	1	1	1	
x A	6											
	10	60	108									
	16	23	41	67								
	20	9	25	43	72							
	25		12	26	43							
	35			8	20	39						
	50				3	16	32	104				
	63					5	18	35				
	80						7	19	32			
	100							9	17	32		
	125								7	16	31	
	160									6	14	
	200										6	
	225										2	
	250											
	315											
	400											
500												

Maximum number of cable glands to DIN 50262



M	Side		PG	Side	
	A/B	C/D		A/B	C/D
12	98	75	7	98	75
16	43	34	9	60	45
20	34	25	11	43	34
25	18	13	13,5	34	25
32	10	7	16	28	21
40	6	4	21	18	13
50	4	4	29	10	7
63	4	2	36	6	4
75			42	4	4
85			48	4	2

DIN rail	TS 35
Length (mm)	198
max. fitting length (mm)	153
External earth stud	M10



Order no.	Product type	Dimensions H x W x D (mm)
34.06 03 00	ProtExB 03	306 x 306 x 205
35.06 03 00	ProtExe 03	306 x 306 x 205
36.06 03 00	ProtExi 03	306 x 306 x 205

		1,5	2,5	4	6	10	16	25	35	50	70	95
	***	176	144	90	66	54	30	24	12	9	7	7
	N	4	4	3	3	3	2	2	1	1	1	1
x A	6											
	10	64	116									
	16	24	43	72								
	20	10	27	46	77							
	25		13	28	46							
	35			9	21	41						
	50				3	17	34	111				
	63					6	19	37				
	80						8	20	34			
	100							9	18	34		
	125								8	18	33	
	160									7	15	27
	200										6	13
	225										2	8
	250											4
	315											
	400											
500												

Maximum number of cable glands to DIN 50262



M	Side		PG	Side	
	A/B	C/D		A/B	C/D
12	125	98	7	125	98
16	58	43	9	77	60
20	43	34	11	58	43
25	24	18	13,5	43	34
32	13	10	16	38	28
40	8	6	21	24	18
50	6	4	29	13	10
63	6	4	36	8	6
75			42	6	4
85			48	6	4

DIN rail	TS 35
Length (mm)	244
max. fitting length (mm)	199
External earth stud	M10

Ex stainless steel flange ProtEx

Technical details



Order no.	Product type	Dimensions H x W x D (mm)
34.06 04 00	ProtExB 04	380 x 260 x 205
35.06 04 00	ProtExe 04	380 x 260 x 205
36.06 04 00	ProtExi 04	380 x 260 x 205

1,5	2,5	4	6	10	16	25	35	50	70	95	120			
***	186	150	126	93	52	42	18	18	13	10	5	4		
N	5	5	4	4	4	3	2	2	1	1	1	1		
A	6													
	10	63	114											
	16	24	43	71										
	20	10	26	45	76									
	25		13	28	45									
	35			8	21	41								
	50				3	17	34	109						
	63					6	19	37						
	80						7	20	33					
	100							9	18	33				
	125								8	17	32			
	160									7	15	27	68	
	200										6	13	21	
	225											2	8	14
	250												4	10
	315													
400														
500														

Maximum number of cable glands to DIN 50262



M	Side		PG	Side	
	A/B	C/D		A/B	C/D
12	98	125	7	98	125
16	43	58	9	60	77
20	34	43	11	43	58
25	18	24	13,5	34	43
32	10	13	16	28	38
40	6	8	21	18	24
50	4	6	29	10	13
63	4	6	36	6	8
75			42	4	6
85			48	4	6

DIN rail	TS 35
Length (mm)	198
max. fitting length (mm)	153
External earth stud	M10



Order no.	Product type	Dimensions H x W x D (mm)
34.06 05 00	ProtExB 05	458 x 382 x 205
35.06 05 00	ProtExe 05	458 x 382 x 205
36.06 05 00	ProtExi 05	458 x 382 x 205

Maximum number of cable glands to DIN 50262



M	Side		PG	Side	
	A/B	C/D		A/B	C/D
12	147	179	7	147	179
16	67	79	9	91	108
20	53	63	11	67	79
25	28	34	13,5	53	63
32	16	19	16	43	53
40	8	9	21	28	34
50	8	8	29	16	19
63	6	8	36	8	9
75			42	8	8
85			48	6	8

DIN rail	TS 35
Length (mm)	320
max. fitting length (mm)	275
External earth stud	M10

Ex stainless steel flange ProtEx

Technical details



Order no.	Product type	Dimensions H x W x D (mm)
34.06 06 00	ProtExB 06	480 x 480 x 205
35.06 06 00	ProtExe 06	480 x 480 x 205
36.06 06 00	ProtExi 06	480 x 480 x 205

	1,5	2,5	4	6	10	16	25	35	50	70	95	120	150	185	240		
***	602	483	348	264	175	116	69	69	36	28	14	11	11	10	10		
LN	5	5	5	4	4	4	3	3	2	2	2	1	1	1	1		
	6																
	10	79	144														
	16	30	54	90													
	20	13	33	57	96												
	25		16	35	57												
	35			11	27	51											
	50				4	21	43	138									
	63					7	24	46									
	80						10	25	42								
	100							11	23	42							
	125								10	22	41						
	160									8	19	34	86				
	200										8	16	27	47			
	225											3	10	18	28	57	
	250												5	12	20	32	
	315													3	7	14	25
	400															3	10
500																	

Maximum number of cable glands to DIN 50262



M	Side		PG	Side	
	A/B	C/D		A/B	C/D
12	201	179	7	201	179
16	91	79	9	122	108
20	70	63	11	91	79
25	38	34	13,5	70	63
32	22	19	16	61	53
40	12	9	21	38	34
50	10	8	29	22	19
63	8	8	36	12	9
75			42	10	8
85			48	8	8

DIN rail	TS 35
Length (mm)	418
max. fitting length (mm)	373
External earth stud	M10



Order no.	Product type	Dimensions H x W x D (mm)
34.06 07 00	ProtExB 07	500 x 350 x 205
35.06 07 00	ProtExe 07	500 x 350 x 205
36.06 07 00	ProtExi 07	500 x 350 x 205

	1,5	2,5	4	6	10	16	25	35	50	70	95	120	150	185	240		
***	450	365	244	184	111	93	50	50	22	18	15	7	7	6	6		
LN	5	5	5	4	3	3	3	3	2	2	1	1	1	1	1		
	6																
	10	72	131														
	16	28	49	81													
	20	11	30	51	87												
	25		15	32	52												
	35			10	24	47											
	50				3	19	39	125									
	63					7	21	42									
	80						9	23	38								
	100							10	21	38							
	125								9	20	37						
	160									8	17	30	78				
	200										7	15	24	42			
	225											2	9	16	26	52	
	250												5	11	18	29	
	315													2	7	12	23
	400															3	9
500																	

Maximum number of cable glands to DIN 50262



M	Side		PG	Side	
	A/B	C/D		A/B	C/D
12	147	201	7	147	201
16	67	91	9	91	122
20	53	70	11	67	91
25	28	38	13,5	53	70
32	16	22	16	43	61
40	8	12	21	28	38
50	8	10	29	16	22
63	6	8	36	8	12
75			42	8	10
85			48	6	8

DIN rail	TS 35
Length (mm)	288
max. fitting length (mm)	243
External earth stud	M10

Ex stainless steel flange ProtEx

Technical details



Order no.	Product type	Dimensions H x W x D (mm)
34.06 08 00	ProtExB 08	620 x 450 x 205
35.06 08 00	ProtExe 08	620 x 450 x 205
36.06 08 00	ProtExi 08	620 x 450 x 205

Maximum number of cable glands to DIN 50262



M	Side		PG	Side	
	A/B	C/D		A/B	C/D
12	201	255	7	201	255
16	91	115	9	122	154
20	70	88	11	91	115
25	38	48	13,5	70	88
32	22	28	16	61	76
40	12	16	21	38	48
50	10	14	29	22	28
63	8	12	36	12	16
75			42	10	14
85			48	8	12

DIN rail	TS 35
Length (mm)	438
max. fitting length (mm)	393
External earth stud	M10

	1,5	2,5	4	6	10	16	25	35	50	70	95	120	150	185	240
***	714	576	424	320	196	164	99	84	50	26	26	16	16	13	13
N	9	9	8	8	6	5	4	4	3	2	2	1	1	1	1
6															
10	82	149													
16	31	56	93												
20	13	34	59	99											
25		17	36	59											
35			11	27	53										
50				4	22	44	142								
63					7	25	48								
80						10	26	44							
100							12	23	43						
125								10	23	42					
160									9	20	35	88			
200										8	17	27	48		
225										3	10	19	29	59	
250											6	13	20	33	
315												3	8	14	26
400														3	10
500															



Order no.	Product type	Dimensions H x W x D (mm)
34.06 09 00	ProtExB 09	740 x 550 x 205
35.06 09 00	ProtExe 09	740 x 550 x 205
36.06 09 00	ProtExi 09	740 x 550 x 205

Maximum number of cable glands to DIN 50262



M	Side		PG	Side	
	A/B	C/D		A/B	C/D
12	255	323	7	255	323
16	115	148	9	154	199
20	88	113	11	115	148
25	48	62	13,5	88	113
32	28	37	16	76	98
40	16	20	21	48	62
50	14	18	29	28	37
63	12	14	36	16	20
75			42	14	18
85			48	12	14

DIN rail	TS 35
Length (mm)	488
max. fitting length (mm)	443
External earth stud	M10

	1,5	2,5	4	6	10	16	25	35	50	70	95	120	150	185	240
***	1184	952	700	525	300	250	160	120	63	51	34	26	20	17	17
N	11	11	9	9	7	7	5	4	3	3	2	2	1	1	1
6															
10	92	167													
16	35	63	104												
20	15	39	66	111											
25		19	41	66											
35			12	31	60										
50				4	24	49	159								
63					8	27	54								
80						11	29	49							
100							13	26	49						
125								12	25	47					
160									10	22	39	99			
200										9	19	31	54		
225										3	12	21	33	66	
250											6	14	23	37	
315												3	9	16	29
400														4	11
500															

Ex stainless steel flange ProtEx

Technical details



Order no.	Product type	Dimensions H x W x D (mm)
34.06 10 00	ProtExB 10	762 x 508 x 205
35.06 10 00	ProtExe 10	762 x 508 x 205
36.06 10 00	ProtExi 10	762 x 508 x 205

	1,5	2,5	4	6	10	16	25	35	50	70	95	120	150	185	240			
***	1071	861	620	470	315	217	126	126	64	50	30	24	20	17	17			
UN	11	11	10	10	8	7	5	5	3	3	2	2	1	1	1			
x A	6																	
	10	89	162															
	16	34	61	101														
	20	14	38	64	107													
	25		18	40	64													
	35			12	30	58												
	50				4	24	48	155										
	63					8	27	52										
	80						11	28	47									
	100							13	26	47								
	125								11	25	46							
	160									10	21	38	96					
	200										9	18	30	52				
	225											3	11	20	32	64		
	250												6	14	22	36		
	315														3	8	15	28
	400																4	11
500																		

Maximum number of cable glands to DIN 50262



M	Side		PG	Side	
	A/B	C/D		A/B	C/D
12	201	323	7	201	323
16	91	148	9	122	199
20	70	113	11	91	148
25	38	62	13,5	70	113
32	22	37	16	61	98
40	12	20	21	38	62
50	10	18	29	22	37
63	8	14	36	12	20
75			42	10	18
85			48	8	14

DIN rail	TS 35
Length (mm)	446
max. fitting length (mm)	401
External earth stud	M10



Order no.	Product type	Dimensions H x W x D (mm)
34.06 11 00	ProtExB 11	860 x 640 x 205
35.06 11 00	ProtExe 11	860 x 640 x 205
36.06 11 00	ProtExi 11	860 x 640 x 205

	1,5	2,5	4	6	10	16	25	35	50	70	95	120	150	185	240		
***	1612	1300	952	720	459	360	204	192	111	60	60	32	32	28	28		
UN	13	13	11	11	9	8	6	5	4	3	3	2	2	2	2		
x A	6																
	10	101	183														
	16	39	69	114													
	20	16	43	72	122												
	25		21	45	73												
	35			14	34	66											
	50				5	27	54	175									
	63					9	30	59									
	80						12	32	54								
	100							15	29	54							
	125								13	28	52						
	160									11	24	43	109				
	200										10	21	34	59			
	225											4	13	23	36	73	
	250												7	16	25	41	
	315													3	10	17	32
	400															4	12
500																	

Maximum number of cable glands to DIN 50262



M	Side		PG	Side	
	A/B	C/D		A/B	C/D
12	250	358	7	250	358
16	116	158	9	154	216
20	86	126	11	116	158
25	48	68	13,5	86	126
32	26	38	16	76	106
40	16	18	21	48	68
50	12	16	29	26	38
63	12	16	36	16	18
75			42	12	16
85			48	12	16

DIN rail	TS 35
Length (mm)	578
max. fitting length (mm)	533
External earth stud	M10

Ex stainless steel flange ProtEx

Technical details



Order no.	Product type	Dimensions H x W x D (mm)
34.06 12 00	ProtExB 12	914 x 610 x 205
35.06 12 00	ProtExe 12	914 x 610 x 205
36.06 12 00	ProtExi 12	914 x 610 x 205

Maximum number of cable glands to DIN 50262



M	Side		PG	Side	
	A/B	C/D		A/B	C/D
12	250	358	7	250	358
16	116	158	9	154	216
20	86	126	11	116	158
25	48	68	13,5	86	126
32	26	38	16	76	106
40	16	18	21	48	68
50	12	16	29	26	38
63	12	16	36	16	18
75			42	12	16
85			48	12	16

DIN rail	TS 35
Length (mm)	548
max. fitting length (mm)	503
External earth stud	M10

	1,5	2,5	4	6	10	16	25	35	50	70	95	120	150	185	240
***	1701	1377	1024	776	468	325	208	208	117	62	62	30	30	26	26
N	14	14	12	12	9	8	6	6	4	3	3	2	2	2	2
6															
10	100	181													
16	38	68	113												
20	16	42	71	120											
25		20	44	72											
35			14	33	65										
50				5	27	54	173								
63					9	30	58								
80						12	31	53							
100							15	29	53						
125								13	28	51					
160									11	24	42	108			
200										10	20	34	59		
225										4	13	23	36	72	
250											7	16	25	40	
315												3	10	17	31
400														4	12
500															2



Order no.	Product type	Dimensions H x W x D (mm)
34.06 13 00	ProtExB 13	980 x 740 x 205
35.06 13 00	ProtExe 13	980 x 740 x 205
36.06 13 00	ProtExi 13	980 x 740 x 205

Maximum number of cable glands to DIN 50262



M	Side		PG	Side	
	A/B	C/D		A/B	C/D
12	294	402	7	294	402
16	134	182	9	182	244
20	106	140	11	134	182
25	56	76	13,5	106	140
32	32	44	16	86	122
40	16	24	21	56	76
50	16	20	29	32	44
63	12	16	36	16	24
75			42	16	20
85			48	12	16

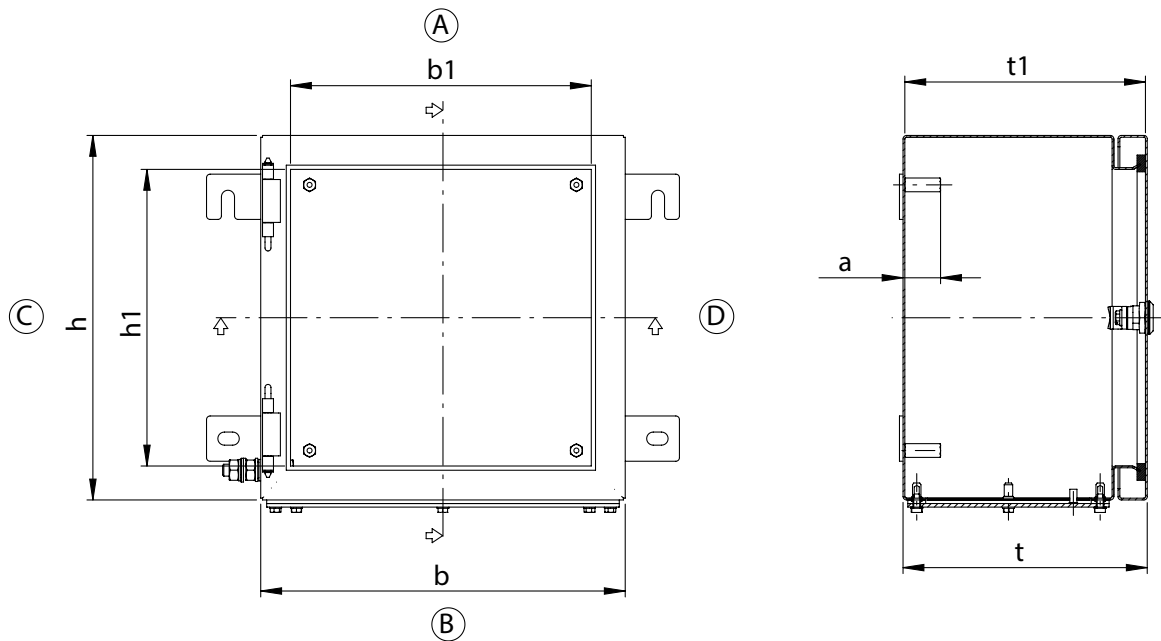
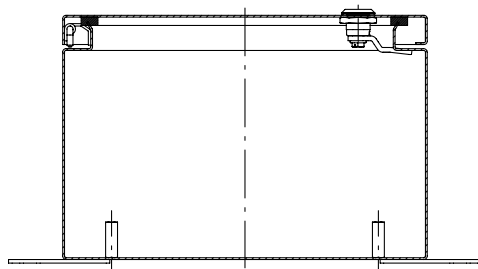
DIN rail	TS 35
Length (mm)	678
max. fitting length (mm)	633
External earth stud	M10

	1,5	2,5	4	6	10	16	25	35	50	70	95	120	150	185	240
***	2255	1815	1300	975	600	490	280	240	155	102	72	54	40	34	34
N	15	15	13	13	10	9	7	6	5	4	3	2	2	2	2
6															
10	111	201													
16	43	76	125												
20	18	47	79	133											
25		23	49	80											
35			15	37	72										
50				5	30	60	192								
63					10	33	65								
80						13	35	59							
100							16	32	59						
125								14	31	57					
160									12	27	47	119			
200										11	23	37	65		
225										4	14	25	40	80	
250											8	17	28	45	
315												4	11	19	35
400														5	14
500															2

Ex stainless steel flange ProtEx

Technical details

Order no.	b	h	t	b1	h1	t1	a
XX.06 02 00	260	260	205	257	257	202	31,5
XX.06 03 00	306	306	205	303	303	202	31,5
XX.06 04 00	260	380	205	257	377	202	31,5
XX.06 05 00	382	458	205	379	455	202	31,5
XX.06 06 00	480	480	205	477	477	202	31,5
XX.06 07 00	350	500	205	347	497	202	31,5
XX.06 08 00	450	620	205	447	617	202	31,5
XX.06 09 00	550	740	205	547	737	202	31,5
XX.06 10 00	508	762	205	505	759	202	31,5
XX.06 11 00	640	860	205	637	857	202	31,5
XX.06 12 00	610	914	205	607	911	202	31,5
XX.06 13 00	740	980	205	737	977	202	31,5



Detail drawings see www.rose-pw.de

Ex Stainless Steel Cabinets IGS



- + High-quality enclosure systems for aggressive areas according ATEX and IEC-directives
- + Empty enclosures for individual fittings and Ex e / Ex ia terminal enclosures
- + With covered hinges and double ward locks

Included in delivery

Empty enclosure: Enclosure with hinged lid, double ward lock, silicone seal and external earth connection.

Junction box: depending on design with hinged lid, double ward lock, silicone seal, external earth, DIN rail, internal earth connection, terminals.

Technical datas

Explosion protection	II 2G Ex e IIC T6/T5/T4 Gb II 2G Ex ia IIC T6/T5/T4 Gb II 2G Ex d e ia [ia] mb IIC T6/T5/T4 Gb II 3G Ex e d mb ia [ia] nA nC [op is] IIC T6, T5, T4 Gc II 2D Ex tb IIIC T85°C/T100°C/T135°C Db IP66
Material	Stainless steel 1.25 mm or 1.5 mm; 14301/304, 1.4404/316L on request
Ingress protection	IP 66 to EN 60529
Surface	grinded, grain 240
Impact resistance	7 Joule to EN 60079-0
Temperature range	Ex B: -55°C to +135°C other seals/executions see Ex approval Ex e /ia: -20°C to +40°C (acc. T6 = 80°C max. on surface temperature) -20°C to +55°C (acc. T5 = 95°C max. on surface temperature) -20°C to +90°C (acc. T4 = 130°C max. on surface temperature) to -55°C with special marking on request
Other versions on request	EMC

Ex Stainless Steel Cabinets IGS

Product overview

Ex e		Ex empty		Ex ia		Dimensions H x W x D (mm)	Weight (g)
Order no.	Product type	Order no.	Product type	Order no.	Product type		
35.00 22 09	IGSExe 35010	34.00 22 09	IGSExB 34010	36.00 22 09	IGSExi 36010	250 x 200 x 97	2350
35.00 22 15	IGSExe 35015	34.00 22 15	IGSExB 34015	36.00 22 15	IGSExi 36015	250 x 200 x 157	2880
35.00 32 09	IGSExe 35020	34.00 32 09	IGSExB 34020	36.00 32 09	IGSExi 36020	250 x 350 x 97	3490
35.00 33 16	IGSExe 35025	34.00 33 16	IGSExB 34025	36.00 33 16	IGSExi 36025	300 x 300 x 167	4360
35.00 44 16	IGSExe 35030	34.00 44 16	IGSExB 34030	36.00 44 16	IGSExi 36030	380 x 380 x 167	6080
35.00 44 21	IGSExe 35035	34.00 44 21	IGSExB 34035	36.00 44 21	IGSExi 36035	380 x 380 x 217	6820
35.00 53 16	IGSExe 35040	34.00 53 16	IGSExB 34040	36.00 53 16	IGSExi 36040	300 x 500 x 167	6350
35.00 63 16	IGSExe 35045	34.00 63 16	IGSExB 34045	36.00 63 16	IGSExi 36045	300 x 600 x 167	8750
35.00 64 21	IGSExe 35050	34.00 64 21	IGSExB 34050	36.00 64 21	IGSExi 36050	380 x 600 x 217	11420
35.00 99 99	IGSExe 35055	34.00 99 99	IGSExB 34055	36.00 99 99	IGSExi 36055	Special size on request	

Terminal mounting

Make	Phoenix Contact											
	TS 15	TS 15	TS 35	TS 35	TS 35	TS 35	TS 35	TS 35	TS 35	TS 35		
DIN rail	TS 15	TS 15	TS 35	TS 35	TS 35	TS 35	TS 35	TS 35	TS 35	TS 35		
Nominal cross section (mm ²)	2,5	4	2,5	4	6	10	16	35	50	95		
Voltage (V)	352	352	690	690	690	690	690	690	690	880		
Terminal width (mm)	5,2	6,2	5,2	6,2	8,2	10,2	12,2	16,2	20	25		
Terminal type												
Enclosure type	MUT 2,5	MUT 4	UT 2,5	UT 4	UT 6	UT 10	UT 16	UT 35	UKH 50	UKH 95		PE bar 1,5 to 6 mm ²
XX.00 22 09	58	48	58	48	36	28	12	9				
XX.00 22 15	58	48	58	48	36	28	12	9				
XX.00 32 09	116	96	116	96	72	29	24	18				
XX.00 33 16	80	80	80	80	60	48	40	15	12			
XX.00 44 16	189	159	189	159	120	96	81	40	17	13		18
XX.00 44 21	189	159	189	159	120	96	81	40	17	13		18
XX.00 53 16	172	144	172	144	110	88	74	27	26	18		24
XX.00 63 16	210	176	210	176	134	108	90	34	27	22		29
XX.00 64 21	315	264	315	264	201	162	135	68	27	22		29

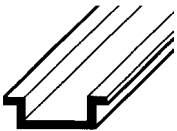
Other supplier on request

Accessories

Order no.	DIN rails	Mounting plate
XX.00 22 09	•	•
XX.00 22 15	•	•
XX.00 32 09	•	•
XX.00 33 16	•	•
XX.00 44 16	•	•
XX.00 44 21	•	•
XX.00 53 16	•	•
XX.00 63 16	•	•
XX.00 64 21	•	•
XX.00 99 99		

Accessories

DIN rails



Order no.	Version
10.06 14 37	TS 35/7.5 for XX.00 22 09, XX.00 22 15
10.06 14 25	TS 35/7.5 for XX.00 32 09
10.06 14 36	TS 35/7.5 for XX.00 33 16
10.06 14 39	TS 35/7.5 for XX.00 44 16, XX.00 44 21
10.06 14 40	TS 35/7.5 for XX.00 53 16
10.06 14 42	TS 35/7.5 for XX.00 63 16

External mounting brackets



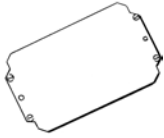
set = 4 pcs

Order no.
37.10 50 00

Ex Stainless Steel Cabinets IGS

Accessories

Mounting plate



Order no.	Version
10.01 10 66	for XX.00 22 09, XX.00 22 15
10.01 10 67	for XX.00 32 09
10.01 10 44	for XX.30 30 12, XX.30 30 16, XX.00 33 16
10.01 10 45	for XX.38 38 16, XX.00 44 16, XX.00 44 21
10.01 10 57	for XX.50 30 16, XX.00 53 16
10.01 10 68	for XX.00 63 16
10.01 10 69	for XX.00 64 21

Mounting set

for external mounting
bracket

Order no.
37.99 00 01

PE bar



Order no.	Version
12.05 43 04	for XX.20 10 06, XX.20 20 08, XX.00 22 09, XX.00 22 15
12.05 43 25	for XX.00 32 09
12.05 43 07	for XX.30 15 08, XX.30 20 08, XX.30 20 12, XX.30 30 12, XX.30 30 16, XX.00 33 16
12.05 43 12	for XX.38 38 16, XX.00 44 16, XX.00 44 21
12.05 43 16	for XX.50 30 16, XX.50 40 16, XX.00 53 16
12.05 43 17	for XX.60 20 12, XX.00 63 16, XX.00 64 21

Ex Stainless Steel Cabinets IGS

Technical details



Order no.	Product type	Dimensions H x W x D (mm)
34.00 22 09	IGSExB 34010	250 x 200 x 97
35.00 22 09	IGSExe 35010	250 x 200 x 97
36.00 22 09	IGSExi 36010	250 x 200 x 97

Maximum number of cable glands to DIN 50262



M	Side		PG	Side	
	A/B	C/D		A/B	C/D
12	38	36	7	38	36
16	20	17	9	24	20
20	12	8	11	20	17
25	5	6	13,5	12	8
32	3		16	10	7
40	3		21	5	6
50			29	3	
63			36	3	
75			42		
85			48		

DIN rail	TS 35
Length (mm)	190
max. fitting length (mm)	152
External earth (mm ²)	16

		1,5	2,5	4	6	10	16	25	35	50	70	95
	**	76	60	50	38	24	13	10	10			
	N	2	2	2	2	2	1	1	1			
x A	6											
	10	37	67									
	16	14	25	41								
	20	6	15	26	44							
	25		7	16	26							
	35				5	12	24					
	50						10	20	64			
	63						3	11	21			
	80							4	11	19		
	100								5	10		
	125									4		
	160											
	200											
	225											
	250											
	315											
400												
500												



Order no.	Product type	Dimensions H x W x D (mm)
34.00 22 15	IGSExB 34015	250 x 200 x 157
35.00 22 15	IGSExe 35015	250 x 200 x 157
36.00 22 15	IGSExi 36015	250 x 200 x 157

Maximum number of cable glands to DIN 50262



M	Side		PG	Side	
	A/B	C/D		A/B	C/D
12	76	75	7	76	75
16	35	36	9	40	38
20	30	30	11	35	36
25	12	15	13,5	30	30
32	8	8	16	20	22
40	6	5	21	12	15
50	3	3	29	8	8
63	3	3	36	6	5
75			42	3	3
85			48	3	3

DIN rail	TS 35
Length (mm)	190
max. fitting length (mm)	152
External earth (mm ²)	16

		1,5	2,5	4	6	10	16	25	35	50	70	95
	**	76	60	50	38	24	13	10	10			
	N	2	2	2	2	2	1	1	1			
x A	6											
	10	47	86									
	16	18	32	53								
	20	7	20	34	57							
	25		9	21	34							
	35			6	16	31						
	50					2	12	25	82			
	63						4	14	28			
	80							5	15	25		
	100								7	13		
	125									6		
	160											
	200											
	225											
	250											
	315											
400												
500												

Ex Stainless Steel Cabinets IGS

Technical details



Order no.	Product type	Dimensions H x W x D (mm)
34.00 32 09	IGSExB 34020	250 x 350 x 97
35.00 32 09	IGSExe 35020	250 x 350 x 97
36.00 32 09	IGSExi 36020	250 x 350 x 97

		1,5	2,5	4	6	10	16	25	35	50	70	95
	**	150	125	100	74	36	30	20	20			
	N	2	2	2	2	1	1	1	1			
x A	6											
	10	42	77									
	16	16	29	48								
	20	7	18	30	51							
	25		8	19	31							
	35			6	14	27						
	50				2	11	23	74				
	63					4	13	25				
	80						5	13	22			
	100							6	12			
	125								5			
	160											
	200											
	225											
	250											
	315											
	400											
500												

Maximum number of cable glands to DIN 50262



M	Side		PG	Side	
	A/B	C/D		A/B	C/D
12	74	36	7	74	36
16	24	17	9	45	20
20	24	8	11	24	17
25	11	6	13,5	24	8
32	7		16	20	7
40	5		21	11	6
50			29	7	
63			36	5	
75			42		
85			48		

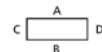
DIN rail	TS 35
Length (mm)	340
max. fitting length (mm)	302
External earth (mm ²)	16



Order no.	Product type	Dimensions H x W x D (mm)
34.00 33 16	IGSExB 34025	300 x 300 x 167
35.00 33 16	IGSExe 35025	300 x 300 x 167
36.00 33 16	IGSExi 36025	300 x 300 x 167

		1,5	2,5	4	6	10	16	25	35	50	70	95
	**	126	102	87	63	51	40	16	16	12		
	N	2	2	2	2	2	2	1	1	1		
x A	6											
	10	55	100									
	16	21	38	62								
	20	9	23	39	67							
	25		11	24	40							
	35			7	18	36						
	50				2	15	30	96				
	63					5	16	32				
	80						6	17	29			
	100							8	16	29		
	125								7	15		
	160									6		
	200											
	225											
	250											
	315											
	400											
500												

Maximum number of cable glands to DIN 50262



M	Side		PG	Side	
	A/B	C/D		A/B	C/D
12	110	88	7	110	88
16	55	52	9	72	60
20	48	38	11	55	52
25	23	21	13,5	48	38
32	15	11	16	33	26
40	8	8	21	23	21
50	7	5	29	15	11
63	5	4	36	8	8
75			42	7	5
85			48	5	4

DIN rail	TS 35
Length (mm)	290
max. fitting length (mm)	252
External earth (mm ²)	25

Ex Stainless Steel Cabinets IGS

Technical details



Order no.	Product type	Dimensions H x W x D (mm)
34.00 44 16	IGSExB 34030	380 x 380 x 167
35.00 44 16	IGSExe 35030	380 x 380 x 167
36.00 44 16	IGSExi 36030	380 x 380 x 167

M	Side		PG	Side	
	A/B	C/D		A/B	C/D
12	160	140	7	160	140
16	70	56	9	96	80
20	60	48	11	70	56
25	27	27	13,5	60	48
32	21	14	16	44	44
40	12	10	21	27	27
50	9	6	29	21	14
63	7	5	36	12	10
75			42	9	6
85			48	7	5

DIN rail	TS 35
Length (mm)	370
max. fitting length (mm)	332
External earth (mm ²)	50

Maximum number of cable glands to DIN 50262

M	Side		PG	Side	
	A/B	C/D		A/B	C/D
12	220	200	7	220	200
16	98	84	9	144	128
20	84	72	11	98	84
25	45	36	13,5	84	72
32	28	21	16	66	55
40	18	14	21	45	36
50	12	9	29	28	21
63	9	8	36	18	14
75			42	12	9
85			48	9	8

DIN rail	TS 35
Length (mm)	370
max. fitting length (mm)	332
External earth (mm ²)	50



Order no.	Product type	Dimensions H x W x D (mm)
34.00 44 21	IGSExB 34035	380 x 380 x 217
35.00 44 21	IGSExe 35035	380 x 380 x 217
36.00 44 21	IGSExi 36035	380 x 380 x 217

M	Side		PG	Side	
	A/B	C/D		A/B	C/D
12	220	200	7	220	200
16	98	84	9	144	128
20	84	72	11	98	84
25	45	36	13,5	84	72
32	28	21	16	66	55
40	18	14	21	45	36
50	12	9	29	28	21
63	9	8	36	18	14
75			42	12	9
85			48	9	8

DIN rail	TS 35
Length (mm)	370
max. fitting length (mm)	332
External earth (mm ²)	50

Maximum number of cable glands to DIN 50262

M	Side		PG	Side	
	A/B	C/D		A/B	C/D
12	220	200	7	220	200
16	98	84	9	144	128
20	84	72	11	98	84
25	45	36	13,5	84	72
32	28	21	16	66	55
40	18	14	21	45	36
50	12	9	29	28	21
63	9	8	36	18	14
75			42	12	9
85			48	9	8

DIN rail	TS 35
Length (mm)	370
max. fitting length (mm)	332
External earth (mm ²)	50

Ex Stainless Steel Cabinets IGS

Technical details



Order no.	Product type	Dimensions H x W x D (mm)
34.00 53 16	IGSExB 34040	300 x 500 x 167
35.00 53 16	IGSExe 35040	300 x 500 x 167
36.00 53 16	IGSExi 36040	300 x 500 x 167

		1,5	2,5	4	6	10	16	25	35	50	70	95	
	**	214	172	144	108	88	72	29	29	26	18	18	
	U N	2	2	2	2	2	2	1	1	1	1	1	
	6												
	10	60	109										
	16	23	41	68									
	20	10	25	43	72								
	25		12	27	43								
	35			8	20	39							
	50				3	16	32	105					
	63					5	18	35					
	80						7	19	32				
	100							9	17	32			
	125								7	17	31		
	160									6	14	25	
	200										6	12	
	225											2	7
	250												4
	315												
	400												
500													

Maximum number of cable glands to DIN 50262



M	Side		PG	Side	
	A/B	C/D		A/B	C/D
12	216	88	7	216	88
16	92	52	9	147	60
20	85	38	11	92	52
25	36	21	13,5	85	38
32	26	11	16	60	26
40	14	8	21	36	21
50	12	5	29	26	11
63	9	4	36	14	8
75			42	12	5
85			48	9	4

DIN rail	TS 35
Length (mm)	490
max. fitting length (mm)	452
External earth (mm ²)	50



Order no.	Product type	Dimensions H x W x D (mm)
34.00 63 16	IGSExB 34045	300 x 600 x 167
35.00 63 16	IGSExe 35045	300 x 600 x 167
36.00 63 16	IGSExi 36045	300 x 600 x 167

		1,5	2,5	4	6	10	16	25	35	50	70	95	
	**	260	210	176	134	106	90	36	36	27	22	22	
	U N	2	2	2	2	2	2	1	1	1	1	1	
	6												
	10	62	112										
	16	24	42	70									
	20	10	26	44	75								
	25		13	27	45								
	35			8	21	40							
	50				3	16	33	108					
	63					6	18	36					
	80						7	19	33				
	100							9	18	33			
	125								8	17	32		
	160									7	15	26	
	200										6	12	
	225											2	8
	250												4
	315												
	400												
500													

Maximum number of cable glands to DIN 50262



M	Side		PG	Side	
	A/B	C/D		A/B	C/D
12	231	88	7	231	88
16	115	52	9	156	60
20	100	38	11	115	52
25	45	21	13,5	100	38
32	33	11	16	72	26
40	17	8	21	45	21
50	16	5	29	33	11
63	11	4	36	17	8
75			42	16	5
85			48	11	4

DIN rail	TS 35
Length (mm)	590
max. fitting length (mm)	551,5
External earth (mm ²)	50

Ex Stainless Steel Cabinets IGS





Technical details



Order no.	Product type	Dimensions H x W x D (mm)
34.00 64 21	IGSExB 34050	380 x 600 x 217
35.00 64 21	IGSExe 35050	380 x 600 x 217
36.00 64 21	IGSExi 36050	380 x 600 x 217

Maximum number of cable glands to DIN 50262



	1,5	2,5	4	6	10	16	25	35	50	70	95		
 **	393	318	267	201	162	135	72	72	27	22	22		
 N	3	3	3	3	3	3	2	2	1	1	1		
 x A	6												
	10	78	142										
	16	30	53	88									
	20	12	33	56	94								
	25		16	35	56								
	35			11	26	51							
	50				4	21	42	136					
	63					7	23	46					
	80						9	24	42				
	100							11	22	41			
	125								10	22	40		
	160									8	19	33	
	200										7	16	
	225											3	10
	250												5
315													
400													
500													

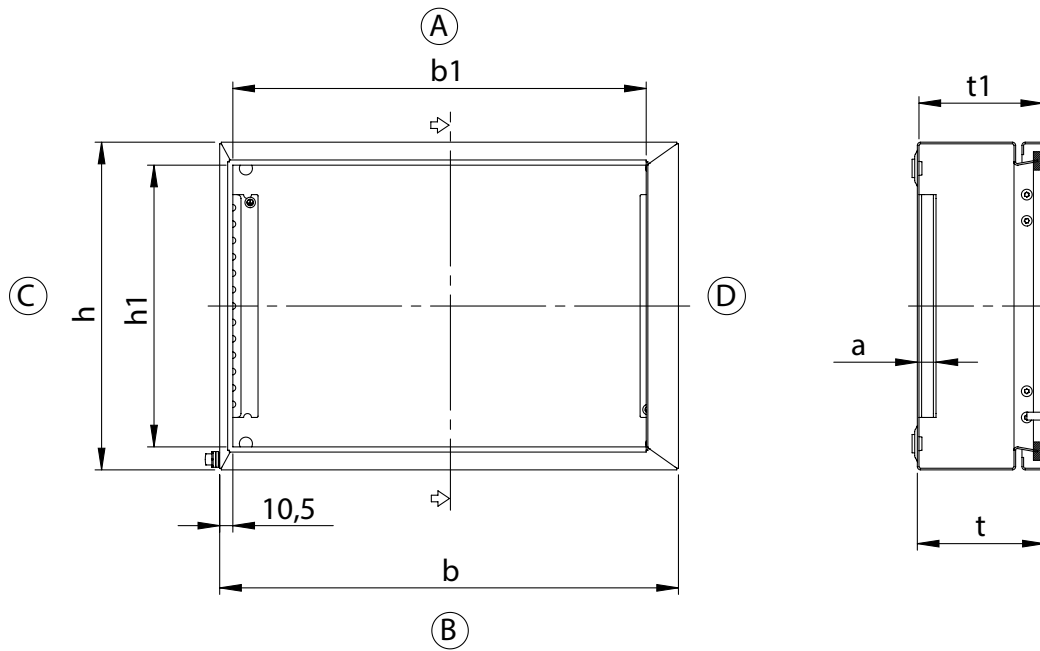
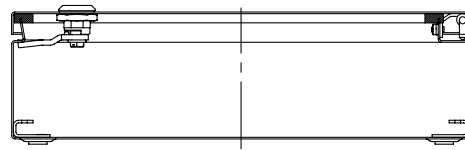
M	Side		PG	Side	
	A/B	C/D		A/B	C/D
12	330	200	7	330	200
16	176	84	9	208	128
20	140	72	11	176	84
25	75	36	13,5	140	72
32	44	21	16	108	55
40	27	14	21	75	36
50	20	9	29	44	21
63	15	8	36	27	14
75			42	20	9
85			48	15	8

DIN rail	TS 35
Length (mm)	590
max. fitting length (mm)	551,5
External earth (mm ²)	50

Ex Stainless Steel Cabinets IGS

Technical details

Order no.	b	h	t	b1	h1	t1	a
XX.00 22 09	200	250	97	197,5	247,5	94,5	13
XX.00 22 15	200	250	157	197,5	247,5	154,5	13
XX.00 32 09	350	250	97	347,5	247,5	94,5	13
XX.00 33 16	300	300	167	297,5	297,5	164,5	13
XX.00 44 16	380	380	167	377,5	377,5	164,5	13
XX.00 44 21	380	380	217	377,5	377,5	214,5	13
XX.00 53 16	500	300	167	497,5	297,5	164,5	13
XX.00 63 16	600	300	167	597	297	164	13
XX.00 64 21	600	380	217	597	377	214	13



Detail drawings see www.rose-pw.de



- + Glass fibre reinforced enclosure system of polyester-resin for use in all Ex-areas
- + Empty enclosures for individual fittings and Ex e / Ex ia terminal enclosures
- + Optional version with window

Included in delivery

Empty enclosure: Enclosure system with silicone seal.
 Junction box: Enclosure system - depending on version with silicone seal, DIN rails, internal earthing connection, terminals, continuity plate, manufacturing, cable glands

Technical datas

Explosion protection	II 2G Ex e IIC T6/T5/T4 Gb II 2G Ex ia IIC T6/T5/T4 Gb II 2G Ex d e ia [ia] mb IIC T6/T5/T4 Gb II 3G Ex e d mb ia [ia] nA nC [op is] IIC T6, T5, T4 Gc II 2D Ex tb IIIC T85°C/T100°C/T135°C Db IP66
Material	glass fibre reinforced duroplastic polyester, graphite added
Colour	RAL 9011, graphite black
Ingress protection	IP 66 to EN 60529
Impact resistance	7 Joule to EN 60079-0
Flammability	self-extinguishing, UL 94 V-0
Surface resistance	<10 ⁹ Ohm to IEC 60093
Toxicity	halogen free
Temperature range	Ex B: -55°C to +135°C other seals/executions see Ex approval Ex e /ia: -20°C to +40°C (acc. T6 = 80°C max. on surface temperature) -20°C to +55°C (acc. T5 = 95°C max. on surface temperature) -20°C to +90°C (acc. T4 = 130°C max. on surface temperature) to -55°C with special marking on request
Other versions on request	EMC

Polyester Ex

Product overview

Ex e		Ex empty		Ex ia		Dimensions H x W x D (mm)	Weight (g)
Order no.	Product type	Order no.	Product type	Order no.	Product type		
06.08 08 06	PEXe 06010	26.08 08 06	PExB 26010	16.08 08 06	PExi 16010	75 x 80 x 56	230
06.08 08 08	PEXe 06015	26.08 08 08	PExB 26015	16.08 08 08	PExi 16015	75 x 80 x 75	300
06.08 11 06	PEXe 06020	26.08 11 06	PExB 26020	16.08 11 06	PExi 16020	75 x 110 x 56	295
06.08 11 08	PEXe 06025	26.08 11 08	PExB 26025	16.08 11 08	PExi 16025	75 x 110 x 75	360
06.08 16 06	PEXe 06030	26.08 16 06	PExB 26030	16.08 16 06	PExi 16030	75 x 160 x 56	405
06.08 16 08	PEXe 06035	26.08 16 08	PExB 26035	16.08 16 08	PExi 16035	75 x 160 x 75	460
06.08 19 06	PEXe 06040	26.08 19 06	PExB 26040	16.08 19 06	PExi 16040	75 x 190 x 56	450
06.08 19 08	PEXe 06045	26.08 19 08	PExB 26045	16.08 19 08	PExi 16045	75 x 190 x 75	530
06.08 23 06	PEXe 06050	26.08 23 06	PExB 26050	16.08 23 06	PExi 16050	75 x 230 x 56	575
06.08 23 08	PEXe 06055	26.08 23 08	PExB 26055	16.08 23 08	PExi 16055	75 x 230 x 75	670
06.12 12 09	PEXe 06060	26.12 12 09	PExB 26060	16.12 12 09	PExi 16060	120 x 122 x 91	750
06.12 22 09	PEXe 06065	26.12 22 09	PExB 26065	16.12 22 09	PExi 16065	120 x 220 x 91	1060
06.16 16 09	PEXe 06070	26.16 16 09	PExB 26070	16.16 16 09	PExi 16070	160 x 160 x 91	1290
06.16 26 09	PEXe 06075	26.16 26 09	PExB 26075	16.16 26 09	PExi 16075	160 x 260 x 91	1710
06.16 36 09	PEXe 06080	26.16 36 09	PExB 26080	16.16 36 09	PExi 16080	160 x 360 x 91	2150
06.16 56 09	PEXe 06085	26.16 56 09	PExB 26085	16.16 56 09	PExi 16085	160 x 560 x 91	3185
06.25 26 12	PEXe 06090	26.25 26 12	PExB 26090	16.25 26 12	PExi 16090	250 x 255 x 121	2650
06.25 26 16	PEXe 06095	26.25 26 16	PExB 26095	16.25 26 16	PExi 16095	250 x 255 x 161	3275
06.25 40 12	PEXe 06100	26.25 40 12	PExB 26100	16.25 40 12	PExi 16100	250 x 400 x 121	3650
06.25 40 16	PEXe 06105	26.25 40 16	PExB 26105	16.25 40 16	PExi 16105	250 x 400 x 161	4800
06.25 60 12	PEXe 06110	26.25 60 12	PExB 26110	16.25 60 12	PExi 16115	250 x 600 x 121	5235
06.36 36 09	PEXe 06115	26.36 36 09	PExB 26115	16.36 36 09	PExi 16120	360 x 360 x 91	4200
06.41 40 12	PEXe 06120	26.41 40 12	PExB 26120	16.41 40 12	PExi 16125	405 x 400 x 121	5580
06.41 40 20	PEXe 06125	26.41 40 20	PExB 26125	16.41 40 20	PExi 16130	405 x 400 x 201	6650

Terminal mounting

Make	Phoenix Contact												Bartec				
	TS 15	TS 15	TS 35	TS 35	TS 35	TS 35	TS 35	TS 35	TS 35	TS 35	TS 35	TS 35					
DIN rail	2,5	4	2,5	4	6	10	16	35	50	95	150	240					
Nominal cross section (mm²)	2,5	4	2,5	4	6	10	16	35	50	95	150	240					
Voltage (V)	352	352	690	690	690	690	690	690	690	880	1100	1100					
Terminal width (mm)	5,2	6,2	5,2	6,2	8,2	10,2	12,2	16,2	20	25	31	36					
Terminal type																	
Enclosure type	MUT 2,5	MUT 4	UT 2,5	UT 4	UT 6	UT 10	UT 16	UT 35	UKH 50	UKH 95	UKH 150	UKH 240	PE bar 1,5 to 6 mm²	Sheath clamp (2 x 4 mm², 3 x 2,5 mm² each clamp)	Sheath clamp (2 x 6 mm², 3 x 4 mm², 4 x 2,5 mm² each clamp)	Ex Mini terminals	Ex Mini terminals blue
XX.08 08 06	7	6												2		3	3
XX.08 08 08	7	6												2			
XX.08 11 06	13	11												4			
XX.08 11 08	13	11												4			
XX.08 16 06	22	19												4			
XX.08 16 08	22	19												4			
XX.08 19 06	28	23												4			
XX.08 19 08	28	23												4			
XX.08 23 06	36	30												4			
XX.08 23 08	36	30												4			
XX.12 12 09	12	10	12	10	7	6	5								2		
XX.12 22 09	32	26	32	26	20	16	13								4		
XX.16 16 09	20	16	20	16	12	10	8	6					10				
XX.16 26 09	39	33	39	33	25	20	16	12					22				
XX.16 36 09	58	48	58	48	36	29	24	18					32				
XX.16 56 09	97	81	97	81	61	49	41	31					52				
XX.25 26 12	74	62	74	62	48	19	16	12	9				22				
XX.25 26 16	74	62	74	62	48	19	16	12	9	7			22				
XX.25 40 12	130	110	130	110	82	33	28	21	17				38				
XX.25 40 16	130	110	130	110	82	33	28	21	17	13			38				
XX.25 60 12	208	174	208	174	132	53	44	33	27				58				
XX.36 36 09	174	147	174	147	74	58	48	36					32				
XX.41 40 12	195	165	195	165	123	66	56	21	17				38				
XX.41 40 20	195	165	195	165	123	66	56	21	17	13	11	9	38				

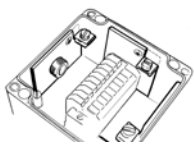
Other supplier on request

Polyester Ex

Accessories

Order no.	DIN rails	Mounting plate
XX.08 08 06	•	•
XX.08 08 08	•	•
XX.08 11 06	•	•
XX.08 11 08	•	•
XX.08 16 06	•	•
XX.08 16 08	•	•
XX.08 19 06	•	•
XX.08 19 08	•	•
XX.08 23 06	•	
XX.08 23 08	•	
XX.12 12 09	•	•
XX.12 22 09	•	•
XX.16 16 09	•	•
XX.16 26 09	•	•
XX.16 36 09	•	•
XX.16 56 09	•	•
XX.25 26 12	•	•
XX.25 26 16	•	•
XX.25 40 12	•	•
XX.25 40 16	•	•
XX.25 60 12	•	•
XX.36 36 09	•	•
XX.41 40 12	•	•
XX.41 40 20	•	•

Continuity plate

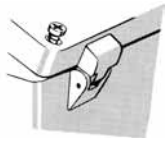


for side A/B

Order no.	Version
12.05 52 50	for XX.08 08 06, XX.08 08 08
12.05 52 52	for XX.08 11 06, XX.08 11 08
12.05 52 54	for XX.08 16 06, XX.08 16 08
12.05 52 56	for XX.08 19 06, XX.08 19 08
12.05 52 58	for XX.08 23 06, XX.08 23 08
12.05 52 60	for XX.12 12 09
12.05 52 61	for XX.12 22 09
12.05 52 62	for XX.16 16 09
12.05 52 63	for XX.16 26 09
12.05 52 64	for XX.16 36 09
12.05 52 65	for XX.16 56 09
12.05 52 66	for XX.25 26 12
12.05 52 67	for XX.25 26 16
12.05 52 68	for XX.25 40 12
12.05 52 69	for XX.25 40 16
12.05 52 70	for XX.25 60 12
12.05 52 71	for XX.36 36 09
12.05 52 72	for XX.41 40 12

Accessories

External hinges

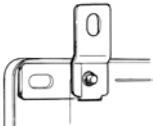


Swivelling range 150°,
set = 2 pcs

Order no.

10.02 70 01

External mounting brackets



set = 4 pcs

Order no.

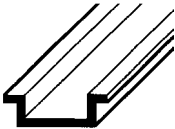
Version

10.03 11 01 for XX.08 08 06 - XX.10 20 08

10.03 11 02 for XX.12 12 08 - XX.31 60 18, XX.14 01 00 - XX.14 03 00

10.03 10 08 for XX.20 20 00, XX.20 30 00

DIN rails



Order no.

Version

10.06 10 03 TS 15 for XX.08 08 06, XX.08 08 08

10.06 11 02 TS 15 for XX.08 11 06, XX.08 11 08

10.06 10 08 TS 15 for XX.08 16 06, XX.08 16 08

10.06 10 10 TS 15 for XX.08 19 06, XX.08 19 08

10.06 11 05 TS 15 for XX.08 23 06, XX.08 23 08

10.06 14 21 TS 35/7.5 for XX.12 12 09

10.06 14 22 TS 35/7.5 for XX.12 22 09

10.06 14 23 TS 35/7.5 for XX.16 16 09

10.06 14 24 TS 35/7.5 for XX.16 26 09

10.06 14 25 TS 35/7.5 for XX.16 36 09

10.06 14 26 TS 35/7.5 for XX.16 56 09

10.06 14 34 TS 35/7.5 for XX.25 26 12, XX.25 26 16

10.06 14 27 TS 35/7.5 for XX.25 40 12, XX.25 40 16

10.06 14 28 TS 35/7.5 for XX.25 60 12

PE bar



Order no.

Version

12.05 42 62 for XX.16 16 09

12.05 42 63 for XX.16 26 09, XX.25 26 12, XX.25 26 16

12.05 42 64 for XX.16 36 09, XX.36 36 09

12.05 42 65 for XX.16 56 09

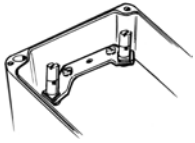
12.05 42 68 for XX.25 40 12, XX.25 40 16, XX.41 40 12, XX.41 40 20

12.05 42 70 for XX.25 60 12

Polyester Ex

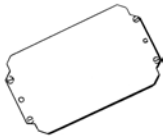
Accessories

PE busbar



Order no.	Version
12.05 30 03	for XX.08 08 06 - XX.08 16 08
12.05 30 04	for XX.08 19 06 - XX.08 23 08
12.05 30 05	for XX.12 12 09 - XX.12 22 09

Mounting plate



Order no.	Version
10.01 11 01	for XX.08 08 06, XX.08 08 08
10.01 11 03	for XX.08 11 06, XX.08 11 08
10.01 11 05	for XX.08 16 06, XX.08 16 08
10.01 11 07	for XX.08 19 06, XX.08 19 08
10.01 10 07	for XX.12 12 08, XX.12 12 09
10.01 10 08	for XX.12 22 08, XX.12 22 09
10.01 10 10	for XX.16 16 09
10.01 10 11	for XX.16 26 09
10.01 10 12	for XX.16 36 09
10.01 10 13	for XX.16 56 09
10.01 11 15	for XX.25 26 12, XX.25 26 16
10.01 11 16	for XX.25 40 12, XX.25 40 16
10.01 11 17	for XX.25 60 12
10.01 11 18	for XX.36 36 09
10.01 11 19	for XX.41 40 12, XX.41 40 20

Technical details



Order no.	Product type	Dimensions H x W x D (mm)
06.08 08 06	PEEx 06010	75 x 80 x 56
16.08 08 06	PEXi 16010	75 x 80 x 56
26.08 08 06	PExB 26010	75 x 80 x 56

Maximum number of cable glands to DIN 50262



M	Side		PG	Side	
	A/B	C/D		A/B	C/D
12	6	3	7	6	3
16	2	1	9	4	1
20	2	1	11	2	1
25	1		13,5	2	1
32			16	2	1
40			21	1	
50			29		
63			36		
75			42		
85			48		

DIN rail	TS 15
Length (mm)	63
max. fitting length (mm)	38,5

	1,5	2,5	4	6	10	16	25	35	50	70	95
**	7	7									
N	1	1									
	6										
	10	27									
	16	9	18								
	20	3	10								
	25		5								
	35										
	50										
	63										
	80										
	100										
	125										
	160										
	200										
	225										
	250										
	315										
400											
500											



Order no.	Product type	Dimensions H x W x D (mm)
06.08 08 08	PEEx 06015	75 x 80 x 75
16.08 08 08	PEXi 16015	75 x 80 x 75
26.08 08 08	PExB 26015	75 x 80 x 75

Maximum number of cable glands to DIN 50262



M	Side		PG	Side	
	A/B	C/D		A/B	C/D
12	9	5	7	9	5
16	5	2	9	6	3
20	4	2	11	4	2
25	1	1	13,5	4	2
32	1	1	16	3	1
40			21	1	1
50			29	1	
63			36		
75			42		
85			48		

DIN rail	TS 15
Length (mm)	63
max. fitting length (mm)	38,5

	1,5	2,5	4	6	10	16	25	35	50	70	95
**	8	8	7								
N	1	1	1								
	6										
	10	32									
	16	11	21	84							
	20	4	12	24							
	25		6	13							
	35			4							
	50										
	63										
	80										
	100										
	125										
	160										
	200										
	225										
	250										
	315										
400											
500											

Polyester Ex

Technical details



Order no.	Product type	Dimensions H x W x D (mm)
06.08 11 06	PEXe 06020	75 x 110 x 56
16.08 11 06	PEXi 16020	75 x 110 x 56
26.08 11 06	PExB 26020	75 x 110 x 56

	1,5	2,5	4	6	10	16	25	35	50	70	95
**	13	13									
N	1	1									
x A	6										
	10	28									
	16	9	18								
	20	4	11								
	25		5								
	35										
	50										
	63										
	80										
	100										
	125										
	160										
	200										
	225										
	250										
	315										
	400										
500											

Maximum number of cable glands to DIN 50262



M	Side		PG	Side	
	A/B	C/D		A/B	C/D
12	6	3	7	6	3
16	3	1	9	4	1
20	2	1	11	2	1
25	1		13,5	2	1
32			16	2	1
40			21	1	
50			29		
63			36		
75			42		
85			48		

DIN rail	TS 15
Length (mm)	98
max. fitting length (mm)	68,5



Order no.	Product type	Dimensions H x W x D (mm)
06.08 11 08	PEXe 06025	75 x 110 x 75
16.08 11 08	PEXi 16025	75 x 110 x 75
26.08 11 08	PExB 26025	75 x 110 x 75

	1,5	2,5	4	6	10	16	25	35	50	70	95
**	14	14	11								
N	1	1	1								
x A	6										
	10	33									
	16	11	22	86							
	20	4	13	25							
	25		6	14							
	35			4							
	50										
	63										
	80										
	100										
	125										
	160										
	200										
	225										
	250										
	315										
	400										
500											

Maximum number of cable glands to DIN 50262



M	Side		PG	Side	
	A/B	C/D		A/B	C/D
12	15	5	7	15	5
16	6	2	9	9	3
20	6	1	11	6	2
25	2	1	13,5	6	1
32	2	1	16	5	1
40			21	2	1
50			29	2	
63			36		
75			42		
85			48		

DIN rail	TS 15
Length (mm)	98
max. fitting length (mm)	68,5

Technical details



Order no.	Product type	Dimensions H x W x D (mm)
06.08 16 06	PEEx 06030	75 x 160 x 56
16.08 16 06	PEXi 16030	75 x 160 x 56
26.08 16 06	PExB 26030	75 x 160 x 56

Maximum number of cable glands to DIN 50262



M	Side		PG	Side	
	A/B	C/D		A/B	C/D
12	12	3	7	12	2
16	5	1	9	8	1
20	4	1	11	5	1
25	3		13,5	4	1
32			16	3	1
40			21	3	
50			29		
63			36		
75			42		
85			48		

DIN rail	TS 15
Length (mm)	148
max. fitting length (mm)	118,5

		1,5	2,5	4	6	10	16	25	35	50	70	95
	**	23	23									
	N	1	1									
	6											
	10											
	16											
	20											
	25											
	35											
	50											
	63											
	80											
	100											
	125											
	160											
	200											
	225											
	250											
315												
400												
500												



Order no.	Product type	Dimensions H x W x D (mm)
06.08 16 08	PEEx 06035	75 x 160 x 75
16.08 16 08	PEXi 16035	75 x 160 x 75
26.08 16 08	PExB 26035	75 x 160 x 75

Maximum number of cable glands to DIN 50262



M	Side		PG	Side	
	A/B	C/D		A/B	C/D
12	18	5	7	18	5
16	8	2	9	11	3
20	8	2	11	8	2
25	3	1	13,5	8	2
32	2	1	16	5	1
40			21	3	1
50			29	2	
63			36		
75			42		
85			48		

DIN rail	TS 15
Length (mm)	148
max. fitting length (mm)	118,5

		1,5	2,5	4	6	10	16	25	35	50	70	95
	**	23	23	20								
	N	1	1	1								
	6											
	10											
	16											
	20											
	25											
	35											
	50											
	63											
	80											
	100											
	125											
	160											
	200											
	225											
	250											
315												
400												
500												

Polyester Ex

Technical details



Order no.	Product type	Dimensions H x W x D (mm)
06.08 19 06	PEXe 06040	75 x 190 x 56
16.08 19 06	PEXi 16040	75 x 190 x 56
26.08 19 06	PExB 26040	75 x 190 x 56

	1,5	2,5	4	6	10	16	25	35	50	70	95
**	28	28									
	1	1									
x A	6										
	10	28									
	16	9	19								
	20	4	11								
	25		5								
	35										
	50										
	63										
	80										
	100										
	125										
	160										
	200										
	225										
	250										
	315										
	400										
500											

Maximum number of cable glands to DIN 50262



M	Side		PG	Side	
	A/B	C/D		A/B	C/D
12	16	4	7	16	4
16	7	1	9	12	2
20	5	1	11	7	1
25	4	1	13,5	5	1
32			16	4	1
40			21	4	1
50			29		
63			36		
75			42		
85			48		

DIN rail	TS 15
Length (mm)	174
max. fitting length (mm)	148,5



Order no.	Product type	Dimensions H x W x D (mm)
06.08 19 08	PEXe 06045	75 x 190 x 75
16.08 19 08	PEXi 16045	75 x 190 x 75
26.08 19 08	PExB 26045	75 x 190 x 75

	1,5	2,5	4	6	10	16	25	35	50	70	95
**	29	29	24								
	1	1	1								
x A	6										
	10	33									
	16	11	22	87							
	20	4	13	25							
	25		6	14							
	35			4							
	50										
	63										
	80										
	100										
	125										
	160										
	200										
	225										
	250										
	315										
	400										
500											

Maximum number of cable glands to DIN 50262



M	Side		PG	Side	
	A/B	C/D		A/B	C/D
12	28	6	7	27	5
16	12	2	9	18	3
20	12	2	11	12	2
25	5	1	13,5	12	2
32	3	1	16	10	1
40			21	5	1
50			29	3	
63			36		
75			42		
85			48		

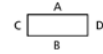
DIN rail	TS 15
Length (mm)	174
max. fitting length (mm)	148,5

Technical details



Order no.	Product type	Dimensions H x W x D (mm)
06.08 23 06	PExe 06050	75 x 230 x 56
16.08 23 06	PExi 16050	75 x 230 x 56
26.08 23 06	PExB 26050	75 x 230 x 56

Maximum number of cable glands to DIN 50262



M	Side		PG	Side	
	A/B	C/D		A/B	C/D
12	22	3	7	20	3
16	10	1	9	14	1
20		1	11	8	1
25	4	1	13,5	8	1
32			16	6	1
40			21	4	1
50			29		
63			36		
75			42		
85			48		

DIN rail	TS 15
Length (mm)	218
max. fitting length (mm)	188,5

	1,5	2,5	4	6	10	16	25	35	50	70	95
	**	36	36								
	1	1									
	6										
	10										
	16										
	20										
	25										
	35										
	50										
	63										
	80										
	100										
	125										
	160										
	200										
	225										
	250										
	315										
400											
500											



Order no.	Product type	Dimensions H x W x D (mm)
06.08 23 08	PExe 06055	75 x 230 x 75
16.08 23 08	PExi 16055	75 x 230 x 75
26.08 23 08	PExB 26055	75 x 230 x 75

Maximum number of cable glands to DIN 50262



M	Side		PG	Side	
	A/B	C/D		A/B	C/D
12	30	6	7	30	6
16	16	2	9	18	3
20	12	2	11	16	2
25	6	1	13,5	12	2
32	4	1	16	10	1
40			21	6	1
50			29	4	
63			36		
75			42		
85			48		

DIN rail	TS 15
Length (mm)	218
max. fitting length (mm)	188,5

	1,5	2,5	4	6	10	16	25	35	50	70	95
	**	37	37	31							
	1	1	1								
	6										
	10										
	16										
	20										
	25										
	35										
	50										
	63										
	80										
	100										
	125										
	160										
	200										
	225										
	250										
	315										
400											
500											

Polyester Ex

Technical details



Order no.	Product type	Dimensions H x W x D (mm)
06.12 12 09	PEXe 06060	120 x 122 x 91
16.12 12 09	PEXi 16060	120 x 122 x 91
26.12 12 09	PExB 26060	120 x 122 x 91

		1,5	2,5	4	6	10	16	25	35	50	70	95
	**	19	15	13	10	8	6					
	N	1	1	1	1	1	1					
x A	6											
	10	43										
	16	14	28	111								
	20	6	16	32								
	25		8	18	35							
	35			5	13	34						
	50				2	11	28					
	63					3	13					
	80						5					
	100											
	125											
	160											
	200											
	225											
	250											
	315											
400												
500												

Maximum number of cable glands to DIN 50262



M	Side		PG	Side	
	A/B	C/D		A/B	C/D
12	12	12	7	12	12
16	5	5	9	8	6
20	4	4	11	5	5
25	2	2	13,5	4	4
32	1	1	16	4	3
40	1	1	21	2	2
50			29	1	1
63			36	1	1
75			42		
85			48		

DIN rail	TS 35
Length (mm)	107
max. fitting length (mm)	65



Order no.	Product type	Dimensions H x W x D (mm)
06.12 22 09	PEXe 06065	120 x 220 x 91
16.12 22 09	PEXi 16065	120 x 220 x 91
26.12 22 09	PExB 26065	120 x 220 x 91

		1,5	2,5	4	6	10	16	25	35	50	70	95
	**	42	34	29	21	17	14					
	N	1	1	1	1	1	1					
x A	6											
	10	46										
	16	15	30	119								
	20	6	18	34								
	25		8	19	37							
	35			5	14	36						
	50				2	12	30					
	63					4	14					
	80						5					
	100											
	125											
	160											
	200											
	225											
	250											
	315											
400												
500												

Maximum number of cable glands to DIN 50262



M	Side		PG	Side	
	A/B	C/D		A/B	C/D
12	32	12	7	30	12
16	14	5	9	21	6
20	12	4	11	14	5
25	6	2	13,5	12	4
32	3	1	16	10	3
40	2	1	21	6	2
50			29	3	1
63			36	2	1
75			42		
85			48		

DIN rail	TS 35
Length (mm)	205
max. fitting length (mm)	166,5

Technical details



Order no.	Product type	Dimensions H x W x D (mm)
06.16 16 09	PExe 06070	160 x 160 x 91
16.16 16 09	PExi 16070	160 x 160 x 91
26.16 16 09	PExB 26070	160 x 160 x 91

Maximum number of cable glands to DIN 50262



M	Side		PG	Side	
	A/B	C/D		A/B	C/D
12	26	18	7	26	18
16	14	8	9	15	12
20	9	6	11	12	8
25	6	3	13,5	9	6
32	3	2	16	8	6
40	2	1	21	6	3
50	2	1	29	2	2
63			36	2	1
75			42	1	
85			48		

DIN rail	TS 35
Length (mm)	144
max. fitting length (mm)	105

		1,5	2,5	4	6	10	16	25	35	50	70	95
	**	28	23	19	14	11	9	7	7			
		1	1	1	1	1	1	1	1			
	6											
	10	48										
	16	16	32	125								
	20	7	19	36								
	25		9	20	39							
	35			6	15	38						
	50				2	12	32					
	63					4	14	52				
	80						5	16	59			
	100							7	15			
	125								6			
	160											
	200											
	225											
	250											
	315											
400												
500												



Order no.	Product type	Dimensions H x W x D (mm)
06.16 26 09	PExe 06075	160 x 260 x 91
16.16 26 09	PExi 16075	160 x 260 x 91
26.16 26 09	PExB 26075	160 x 260 x 91

Maximum number of cable glands to DIN 50262



M	Side		PG	Side	
	A/B	C/D		A/B	C/D
12	50	16	7	50	15
16	26	8	9	30	11
20	17	6	11	21	6
25	11	3	13,5	17	6
32	5	2	16	14	5
40	3	1	21	11	3
50	3		29	5	2
63			36	3	1
75			42	3	
85			48		

DIN rail	TS 35
Length (mm)	245
max. fitting length (mm)	205

		1,5	2,5	4	6	10	16	25	35	50	70	95
	**	52	42	35	26	21	18	14	14			
		1	1	1	1	1	1	1	1			
	6											
	10	52										
	16	18	35	136								
	20	7	20	39								
	25		9	22	43							
	35			6	16	41						
	50				2	13	34					
	63					4	16	57				
	80						6	17	64			
	100							7	16			
	125								6			
	160											
	200											
	225											
	250											
	315											
400												
500												

Polyester Ex

Technical details



Order no.	Product type	Dimensions H x W x D (mm)
06.16 36 09	PExe 06080	160 x 360 x 91
16.16 36 09	PExi 16080	160 x 360 x 91
26.16 36 09	PExB 26080	160 x 360 x 91

		1,5	2,5	4	6	10	16	25	35	50	70	95
	**	76	61	51	39	31	26	21	21			
	N	1	1	1	1	1	1	1	1			
x 	6											
	10	53										
	16	18	35	138								
	20	7	20	40								
	25		9	22	43							
	35			6	17	42						
	50				2	14	35					
	63					4	16	58				
	80						6	18	65			
	100							7	17			
	125								7			
	160											
	200											
	225											
	250											
	315											
	400											
500												

Maximum number of cable glands to DIN 50262



M	Side		PG	Side	
	A/B	C/D		A/B	C/D
12	72	18	7	72	18
16	38	8	9	42	12
20	26	6	11	36	8
25	16	3	13,5	26	6
32	7	2	16	20	6
40	5	1	21	16	3
50	4	1	29	7	2
63			36	5	1
75			42	4	
85			48		

DIN rail	TS 35
Length (mm)	343
max. fitting length (mm)	302



Order no.	Product type	Dimensions H x W x D (mm)
06.16 56 09	PExe 06085	160 x 560 x 91
16.16 56 09	PExi 16085	160 x 560 x 91
26.16 56 09	PExB 26085	160 x 560 x 91

		1,5	2,5	4	6	10	16	25	35	50	70	95
	**	123	100	83	63	50	42	34	34			
	N	1	1	1	1	1	1	1	1			
x 	6											
	10	53										
	16	18	35	138								
	20	7	20	40								
	25		9	22	43							
	35			6	17	42						
	50				2	14	35					
	63					4	16	58				
	80						6	18	65			
	100							7	17			
	125								7			
	160											
	200											
	225											
	250											
	315											
	400											
500												

Maximum number of cable glands to DIN 50262



M	Side		PG	Side	
	A/B	C/D		A/B	C/D
12	112	18	7	112	18
16	58	8	9	66	12
20	40	6	11	52	8
25	24	3	13,5	40	6
32	12	2	16	32	6
40	8	1	21	22	3
50	6	1	29	10	2
63			36	8	1
75			42	6	
85			48		

DIN rail	TS 35
Length (mm)	543
max. fitting length (mm)	508

Technical details



Order no.	Product type	Dimensions H x W x D (mm)
06.25 26 12	PExe 06090	250 x 255 x 121
16.25 26 12	PExi 16090	250 x 255 x 121
26.25 26 12	PExB 26090	250 x 255 x 121

Maximum number of cable glands to DIN 50262



M	Side		PG	Side	
	A/B	C/D		A/B	C/D
12	69	51	7	69	51
16	32	24	9	40	32
20	24	18	11	32	24
25	12	10	13,5	24	18
32	8	7	16	21	17
40	4	3	21	12	9
50	3	3	29	8	6
63	3	2	36	4	3
75			42	3	2
85			48	3	2

DIN rail	TS 35
Length (mm)	238
max. fitting length (mm)	197

		1,5	2,5	4	6	10	16	25	35	50	70	95
		102	82	68	52	21	17	14	14	10		
	**	2	2	2	2	1	1	1	1	1		
	N	2	2	2	2	1	1	1	1	1		
x 	A	6										
		10	70									
		16	24	47	182							
		20	10	27	52							
		25		13	30	57						
		35			8	22	56					
		50				3	18	46				
		63					6	21	76			
		80						8	24	85		
		100							10	22		
		125								9	22	
		160									7	
		200										
		225										
		250										
		315										
	400											
	500											



Order no.	Product type	Dimensions H x W x D (mm)
06.25 26 16	PExe 06095	250 x 255 x 161
16.25 26 16	PExi 16095	250 x 255 x 161
26.25 26 16	PExB 26095	250 x 255 x 161

Maximum number of cable glands to DIN 50262



M	Side		PG	Side	
	A/B	C/D		A/B	C/D
12	69	51	7	69	51
16	32	24	9	40	32
20	24	18	11	32	24
25	12	10	13,5	24	18
32	8	7	16	21	17
40	4	3	21	12	9
50	3	3	29	8	6
63	3	2	36	4	3
75			42	3	2
85			48	3	2

DIN rail	TS 35
Length (mm)	238
max. fitting length (mm)	197

		1,5	2,5	4	6	10	16	25	35	50	70	95	
		102	82	68	52	21	17	14	14	10	8		
	**	2	2	2	2	1	1	1	1	1	1		
	N	2	2	2	2	1	1	1	1	1	1		
x 	A	6											
		10	82										
		16	28	54	211								
		20	11	31	61								
		25		15	34	67							
		35			10	26	65						
		50				3	21	54					
		63					7	25	88				
		80						9	27	99			
		100							12	26			
		125								10	26		
		160									9	23	
		200										8	
		225											3
		250											
		315											
	400												
	500												

Polyester Ex

Technical details



Order no.	Product type	Dimensions H x W x D (mm)
06.25 40 12	PEXe 06100	250 x 400 x 121
16.25 40 12	PEXi 16100	250 x 400 x 121
26.25 40 12	PExB 26100	250 x 400 x 121

	1,5	2,5	4	6	10	16	25	35	50	70	95
	170	138	116	86	35	29	23	23	18		
	2	2	2	2	1	1	1	1	1		
	6										
	10	76									
	16	26	50	197							
	20	10	29	57							
	25		14	32	62						
	35			9	24	60					
	50				3	19	50				
	63					6	23	82			
	80						9	26	92		
	100							11	24		
	125								9	24	
	160									8	
	200										
	225										
	250										
	315										
	400										
500											

Maximum number of cable glands to DIN 50262



M	Side		PG	Side	
	A/B	C/D		A/B	C/D
12	117	50	7	114	50
16	56	22	9	68	32
20	42	18	11	56	21
25	21	10	13,5	40	18
32	14	6	16	33	17
40	7	3	21	21	9
50	5	2	29	14	5
63	5	2	36	7	3
75			42	5	2
85			48	5	2

DIN rail	TS 35
Length (mm)	381
max. fitting length (mm)	342



Order no.	Product type	Dimensions H x W x D (mm)
06.25 40 16	PEXe 06105	250 x 400 x 161
16.25 40 16	PEXi 16105	250 x 400 x 161
26.25 40 16	PExB 26105	250 x 400 x 161

	1,5	2,5	4	6	10	16	25	35	50	70	95
	170	138	116	86	35	29	23	23	18	14	
	2	2	2	2	1	1	1	1	1	1	
	6										
	10	87									
	16	30	58	226							
	20	12	34	65							
	25		16	37	71						
	35			11	28	69					
	50				4	22	57				
	63					7	26	95			
	80						10	29	106		
	100							12	28		
	125								11	28	
	160									9	25
	200										9
	225										3
	250										
	315										
	400										
500											

Maximum number of cable glands to DIN 50262



M	Side		PG	Side	
	A/B	C/D		A/B	C/D
12	117	50	7	114	50
16	56	22	9	68	32
20	42	18	11	56	22
25	21	10	13,5	40	18
32	14	6	16	33	17
40	7	3	21	21	9
50	5	2	29	14	6
63	5	2	36	7	3
75			42	5	2
85			48	5	2

DIN rail	TS 35
Length (mm)	381
max. fitting length (mm)	342

Technical details



Order no.	Product type	Dimensions H x W x D (mm)
06.25 60 12	PEXe 06110	250 x 600 x 121
16.25 60 12	PEXi 16115	250 x 600 x 121
26.25 60 12	PExB 26110	250 x 600 x 121

Maximum number of cable glands to DIN 50262



M	Side		PG	Side	
	A/B	C/D		A/B	C/D
12	108	50	7	108	50
16	52	24	9	64	32
20	36	18	11	48	22
25	30	10	13,5	36	18
32	12	7	16	30	17
40	6	3	21	18	9
50	4	3	29	12	6
63	4	2	36	6	3
75			42	4	2
85			48	4	2

DIN rail	TS 35
Length (mm)	581
max. fitting length (mm)	542

		1,5	2,5	4	6	10	16	25	35	50	70	95
	**	266	214	180	136	54	45	36	36	28		
	N	2	2	2	2	1	1	1	1	1		
	6											
	10	78										
	16	27	52	202								
	20	11	30	58								
	25		14	33	64							
	35			9	25	62						
	50				3	20	51					
	63					6	24	85				
	80						9	26	95			
	100							11	25			
	125								10	25		
	160									8		
	200											
	225											
	250											
	315											
400												
500												



Order no.	Product type	Dimensions H x W x D (mm)
06.36 36 09	PEXe 06115	360 x 360 x 91
16.36 36 09	PEXi 16120	360 x 360 x 91
26.36 36 09	PExB 26115	360 x 360 x 91

Maximum number of cable glands to DIN 50262



M	Side		PG	Side	
	A/B	C/D		A/B	C/D
12	72	52	7	72	52
16	38	24	9	42	38
20	26	20	11	33	23
25	16	10	13,5	26	20
32	7	6	16	20	18
40	5	5	21	15	9
50	4		29	7	6
63			36	5	4
75			42	4	
85			48		

DIN rail	TS 35
Length (mm)	343
max. fitting length (mm)	304

		1,5	2,5	4	6	10	16	25	35	50	70	95
	**	228	183	153	78	62	52	42	42			
	N	3	3	3	2	2	2	2	2			
	6											
	10	77										
	16	26	51	199								
	20	11	30	58								
	25		14	32	63							
	35			9	24	61						
	50				3	20	50					
	63					6	23	83				
	80						9	26	93			
	100							11	24			
	125								10			
	160											
	200											
	225											
	250											
	315											
400												
500												

Polyester Ex

Technical details



Order no.	Product type	Dimensions H x W x D (mm)
06.41 40 12	PEXe 06120	405 x 400 x 121
16.41 40 12	PEXi 16125	405 x 400 x 121
26.41 40 12	PExB 26120	405 x 400 x 121

		1,5	2,5	4	6	10	16	25	35	50	70	95	
	**	255	207	174	129	70	58	23	23	18			
	N	3	3	3	3	2	2	1	1	1			
	x												
	A	6											
		10	92										
		16	31	61	237								
		20	13	35	69								
		25		17	39	75							
		35			11	29	73						
		50				4	24	60					
		63					8	28	99				
		80						10	31	111			
		100							13	29			
		125								12	29		
		160									10		
		200											
		225											
		250											
		315											
	400												
	500												

Maximum number of cable glands to DIN 50262



M	Side		PG	Side	
	A/B	C/D		A/B	C/D
12	117	95	7	114	95
16	56	46	9	68	60
20	42	36	11	56	44
25	21	18	13,5	40	36
32	14	13	16	33	32
40	7	6	21	21	18
50	5	5	29	14	12
63	5	4	36	7	6
75			42	5	5
85			48	5	4

DIN rail	TS 35
Length (mm)	381
max. fitting length (mm)	342



Order no.	Product type	Dimensions H x W x D (mm)
06.41 40 20	PEXe 06125	405 x 400 x 201
16.41 40 20	PEXi 16130	405 x 400 x 201
26.41 40 20	PExB 26125	405 x 400 x 201

		1,5	2,5	4	6	10	16	25	35	50	70	95	120	150	
	**	255	207	174	129	70	58	23	23	18	14	14	11	11	
	N	3	3	3	3	2	2	1	1	1	1	1	1	1	
	x														
	A	6													
		10	114												
		16	39	76	295										
		20	16	44	85										
		25		21	48	93									
		35			14	36	91								
		50				5	29	75							
		63					10	35	124						
		80						13	39	139					
		100							16	36					
		125								14	37				
		160									12	32			
		200										11	28	87	
		225										4	16	34	
		250											8	21	43
		315												4	12
	400														
	500														

Maximum number of cable glands to DIN 50262

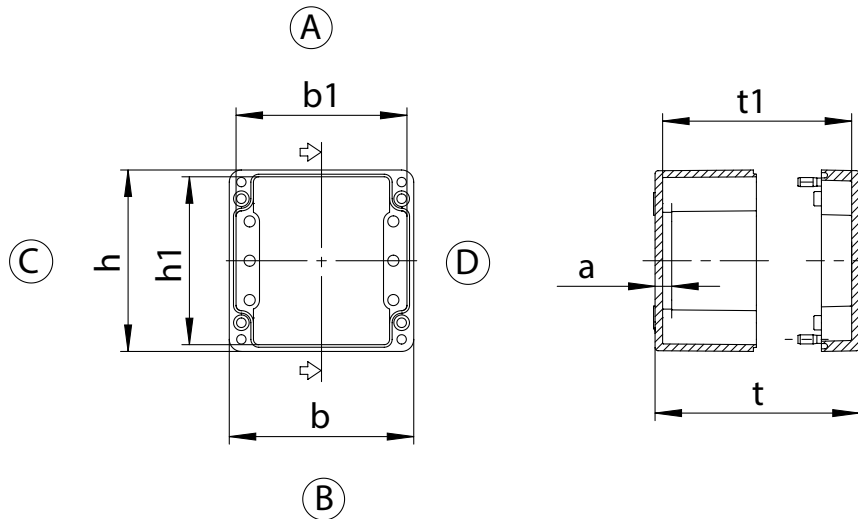


M	Side		PG	Side	
	A/B	C/D		A/B	C/D
12	210	190	7	205	190
16	98	91	9	128	120
20	88	77	11	98	91
25	45	43	13,5	88	77
32	28	26	16	66	63
40	17	15	21	45	40
50	12	11	29	28	24
63	9	8	36	17	15
75			42	11	11
85			48	10	8

DIN rail	TS 35
Length (mm)	381
max. fitting length (mm)	342

Technical details

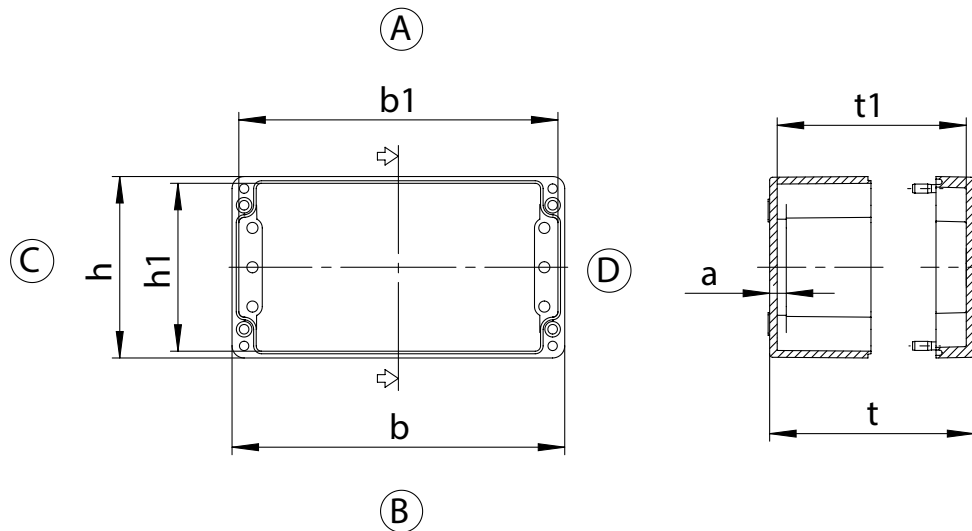
Order no.	b	h	t	b1	h1	t1	a
XX.08 08 06	80	75	56	71	66	46	10,5
XX.08 08 08	80	75	75	71	66	65	10,5
XX.12 12 09	122	120	91	113	111	80	11
XX.16 16 09	160	160	91	148	141	79	11,5
XX.36 36 09	360	360	91	348	348	79	11,5
XX.41 40 12	400	405	121	388	393	109	11,5
XX.41 40 20	401	406	201	388	393	189	11,5



Polyester Ex

Technical details

Order no.	b	h	t	b1	h1	t1	a
XX.08 11 06	110	75	56	101	66	46	10,5
XX.08 11 08	110	75	75	101	66	65	10,5
XX.08 16 06	160	75	56	151	66	46	10,5
XX.08 16 08	160	75	75	151	66	65	10,5
XX.08 19 06	190	75	56	181	66	46	10,5
XX.08 19 08	190	75	75	181	66	65	10,5
XX.08 23 06	230	75	56	221	66	46	10,5
XX.08 23 08	230	75	75	221	66	65	10,5
XX.12 22 09	220	120	91	211	111	80	11
XX.16 26 09	260	160	91	248	141	79	11,5
XX.16 36 09	360	160	91	348	141	79	11,5
XX.16 56 09	560	160	91	548	148	79	11,5
XX.25 26 12	255	250	121	243	238	109	11,5
XX.25 26 16	255	250	161	243	238	149	11,5
XX.25 40 12	400	250	121	388	238	109	11,5
XX.25 40 16	400	250	161	388	238	149	11,5
XX.25 60 12	600	250	121	588	238	109	11,5



Detail drawings see www.rose-pw.de

PExcom - pre-assembled Ex polyester connecting enclosures



- + Ready to install
- + Available within 48 h
- + Pre-assembled: Fitting with terminals and cable glands

Included in delivery

Ex polyester enclosure with DIN rail and terminals (Phoenix Contact MUT 4 or UT 4) and plastic glands with ATEX and IECEx approval.

Technical Data

Explosion protection	II 2G Ex e IIC T6 Gb; II 2D Ex tb IIIC T 70°C
Material	glass fibre reinforced duroplastic polyester, graphite added
Colour	RAL 9011, graphite black
Ingress protection	IP 66 to EN 60529
Impact resistance	7 Joule to EN 60079-0
Flammability	self-extinguishing, UL 94 V-0
Surface resistance	<10 ⁹ Ohm to IEC 60093
Toxicity	halogen free
Temperature range	-55°C to + 40°C (acc. T6 = 80°C max. surface temperature)

PExcom - pre-assembled Ex polyester connecting enclosures

Product range

Type	Order No.	B x L x H (mm)	Execution
PExcom 1	06.08 08 06 4	75 x 80 x 56	Fitting with terminals and cable glands
PExcom 2	06.12 12 09 4	120 x 122 x 91	Fitting with terminals and cable glands
PExcom 3	06.16 16 09 4	160 x 160 x 91	Fitting with terminals and cable glands
PExcom 4	06.16 26 09 4	160 x 260 x 91	Fitting with terminals and cable glands

Technical details



Type	Order No.	Dimensions (mm) H x W x D	Execution
PExcom 1	06.08 08 06 4	75 x 80 x 56	Fitting: TS 15 with 4 x Phoenix Contact MUT 2,5; 2 x Phoenix Contact MUT 2,5 PE Cable entry: Side A: 1 x M20 (Ø 6-12 mm) Side B: 2 x M16 (Ø 5-8 mm)



Type	Order No.	Dimensions (mm) H x W x D	Execution
PExcom 2	06.12 12 09 4	120 x 122 x 91	Fitting: TS 35/7,5 with 9 x Phoenix Contact UT 4; 2 x Phoenix Contact UT 4 PE Cable entry: Side B: 4 x M20 (Ø 6-12 mm)



Type	Order No.	Dimensions (mm) H x W x D	Execution
PExcom 3	06.16 16 09 4	160 x 160 x 91	Fitting: TS 35/7,5 with 14 x Phoenix Contact UT 4; 3 x Phoenix Contact UT 4 PE Cable entry: Side B: 6 x M20 (Ø 6-12 mm)



Type	Order No.	Dimensions (mm) H x W x D	Execution
PExcom 4	06.16 26 09 4	160 x 260 x 91	Fitting: TS 35/7,5 with 25 x Phoenix Contact UT 4; 4 x Phoenix Contact UT 4 PE Cable entry: Side B: 1 x M32 (Ø 18-25 mm) and 8 x M20 (Ø 6-12 mm)

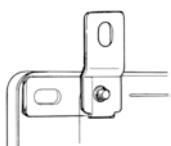
External mounting brackets

Set = 4 pcs.

Order No.

10.03 11 01 for 06.08 08 06 4

10.03 11 02 for 06.12 12 09 4 to 06.16 26 09 4





- + Polyester GRP enclosure systems for Ex application
- + Application: Ex junction boxes / Ex control stations
- + Two level fitting possibility

Included in delivery

Empty enclosure: Base and top with silicon seal, internal fixing, sleeves for base mounting, 4 polyamide system elements for individual height adjustment.
 Junction box: Enclosure system -as before- with individual fitting, DIN rails, terminals, cable gland

Technical datas

Explosion protection	II 2G Ex e IIC T6/T5/T4 Gb II 2G Ex ia IIC T6/T5/T4 Gb II 2G Ex d e ia [ia] mb IIC T6/T5/T4 Gb II 3G Ex e d mb ia [ia] nA nC [op is] IIC T6, T5, T4 Gc II 2D Ex tb IIIC T85°C/T100°C/T135°C Db IP66
Material	glass fibre reinforced duroplastic polyester, graphite added
Colour	RAL 9011, graphite black
Ingress protection	IP 66 to EN 60529
Impact resistance	7 Joule to EN 60079-0
Flammability	self-extinguishing, UL 94 V-0
Surface resistance	<10 ⁹ Ohm to IEC 60093
Toxicity	halogen free
Temperature range	Ex B: -55°C to +135°C other seals/executions see Ex approval Ex e / ia: -20°C to +40°C (acc. T6 = 80°C max. on surface temperature) -20°C to +55°C (acc. T5 = 95°C max. on surface temperature) -20°C to +90°C (acc. T4 = 130°C max. on surface temperature) to -55°C with special marking on request
Other versions on request	EMC

Ex Polyester CombiBox

Product overview

Ex e		Ex empty		Ex ia		Dimensions H x W x D (mm)	Weight (g)
Order no.	Product type	Order no.	Product type	Order no.	Product type		
06.01 22 15	CB 1 Exe	26.01 22 15	CB 1 ExB	16.01 22 15	CB 1 Exi	177 x 177 x 145	1710
06.01 24 15	CB 2 Exe	26.01 24 15	CB 2 ExB	16.01 24 15	CB 2 Exi	360 x 177 x 145	2730
06.01 44 15	CB 3 Exe	26.01 44 15	CB 3 ExB	16.01 44 15	CB 3 Exi	360 x 360 x 145	4050

Terminal mounting

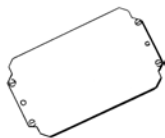
Make	Phoenix Contact										
DIN rail	TS 15	TS 15	TS 35	TS 35	TS 35	TS 35	TS 35	TS 35	TS 35	TS 35	TS 35
Nominal cross section (mm ²)	2,5	4	2,5	4	6	10	16	35	50	95	150
Spannung (V)	352	352	690	690	690	690	690	690	690	880	1100
Terminal width (mm)	5,2	6,2	5,2	6,2	8,2	10,2	12,2	16,2	20	25	31
Terminal type											
Enclosure type	MUT 2,5	MUT 4	UT 2,5	UT 4	UT 6	UT 10	UT 16	UT 35	UKH 50	UKH 95	UKH 150
XX.01 22 15	22	18	22	18	14	11	9	7			
XX.01 24 15	54	45	54	45	34	27	23	17			
XX.01 44 15	216	135	216	135	102	81	46	34	28	11	11

Other supplier on request

Accessories

Order no.	Connecting flange	DIN rails	Mounting plate
XX.01 22 15	•	•	•
XX.01 24 15	•	•	•
XX.01 44 15	•	•	•

Mounting plate



Order no. Version

02.01 99 10	for CombiBox 1
02.01 99 11	for CombiBox 2
02.01 99 12	for CombiBox 3

PE bar

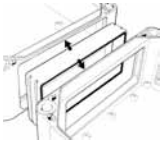


Order no. Version

10.06 80 03	for XX.01 22 15, lengthwise mounted
10.06 80 04	for XX.01 22 15, XX.01 24 15, crosswise mounted
10.06 80 05	for XX.01 24 15, XX.01 44 15, lengthwise mounted
10.06 80 06	for XX.01 44 15, crosswise mounted

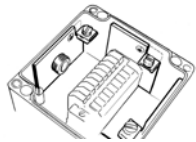
Accessories

Connecting flange



Order no.	Version
26.01 99 01	Connecting flange

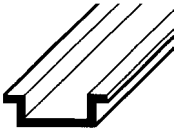
Continuity plate



for side A/B

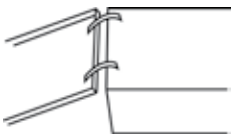
Order no.	Version
10.10 00 01	for XX.01 22 15
10.10 00 02	for XX.01 24 15

DIN rails



Order no.	Version
10.06 14 86	TS 35/7.5 for XX.01 22 15 on mounting frame
10.06 14 87	TS 35/7.5 for XX.01 22 15
10.06 14 85	TS 35/7.5 for XX.01 22 15, XX.01 24 15 crosswise
10.06 14 88	TS 35/7.5 for XX.01 24 15 lengthwise, XX.01 44 15

Lid safety strip



Order no.	Version
02.01 99 06	Set = 2 pcs

Mounting frame

Order no.	Version
02.01 99 02	for Combibox 1
02.01 99 03	for Combibox 2
02.01 99 04	for Combibox 3

Ex Polyester CombiBox

Technical details



Order no.	Product type	Dimensions H x W x D (mm)
06.01 22 15	CB 1 Exe	177 x 177 x 145
16.01 22 15	CB 1 Exi	177 x 177 x 145
26.01 22 15	CB 1 ExB	177 x 177 x 145

		1,5	2,5	4	6	10	16	25	35	50	70	95
	**	23	18	15	11	9	7	6	6			
	N	1	1	1	1	1	1	1	1			
 x A	6											
	10	68										
	16	23	45	175								
	20	9	26	51								
	25		12	29	55							
	35			8	21	54						
	50				3	17	44					
	63					6	20	73				
	80						8	23	82			
	100							10	21			
	125								8			
	160											
	200											
	225											
	250											
	315											
400												
500												

Maximum number of cable glands to DIN 50262



M	Side		PG	Side	
	A/B	C/D		A/B	C/D
12	36	36	7	36	36
16	16	16	9	20	20
20	12	12	11	16	16
25	6	6	13,5	12	12
32	4	4	16	10	10
40	2	2	21	6	6
50	1	1	29	4	4
63	1	1	36	2	2
75			42	1	1
85			48	1	1

DIN rail	TS 35
Length (mm)	152
max. fitting length (mm)	115



Order no.	Product type	Dimensions H x W x D (mm)
06.01 24 15	CB 2 Exe	360 x 177 x 145
16.01 24 15	CB 2 Exi	360 x 177 x 145
26.01 24 15	CB 2 ExB	360 x 177 x 145

		1,5	2,5	4	6	10	16	25	35	50	70	95
	**	66	53	45	34	27	22	18	18			
	N	1	1	1	1	1	1	1	1			
 x A	6											
	10	72										
	16	25	48	187								
	20	10	28	54								
	25		13	30	59							
	35			9	23	57						
	50				3	18	47					
	63					6	22	78				
	80						8	24	88			
	100							10	23			
	125								9			
	160											
	200											
	225											
	250											
	315											
400												
500												

Maximum number of cable glands to DIN 50262



M	Side		PG	Side	
	A/B	C/D		A/B	C/D
12	109	36	7	109	36
16	50	16	9	65	20
20	40	12	11	48	16
25	21	6	13,5	40	12
32	12	4	16	32	10
40	9	2	21	21	6
50	5	1	29	12	4
63	4	1	36	7	2
75			42	5	1
85			48	4	1

DIN rail	TS 35
Length (mm)	333
max. fitting length (mm)	285

Technical details



Order no.	Product type	Dimensions H x W x D (mm)
06.01 44 15	CB 3 Exe	360 x 360 x 145
16.01 44 15	CB 3 Exi	360 x 360 x 145
26.01 44 15	CB 3 ExB	360 x 360 x 145

Maximum number of cable glands to DIN 50262



	1,5	2,5	4	6	10	16	25	35	50	70	95		
	**	264	212	135	102	81	44	36	36	28	11		
		4	4	3	3	3	2	2	2	1	1		
	6												
	10	94											
	16	32	62	243									
	20	13	36	70									
	25		17	40	77								
	35			11	30	74							
	50				4	24	62						
	63					8	28	102					
	80						11	32	114				
	100							13	30				
	125								12	30			
	160									10	27		
	200										9	23	
	225											3	13
	250												7
	315												
	400												
500													

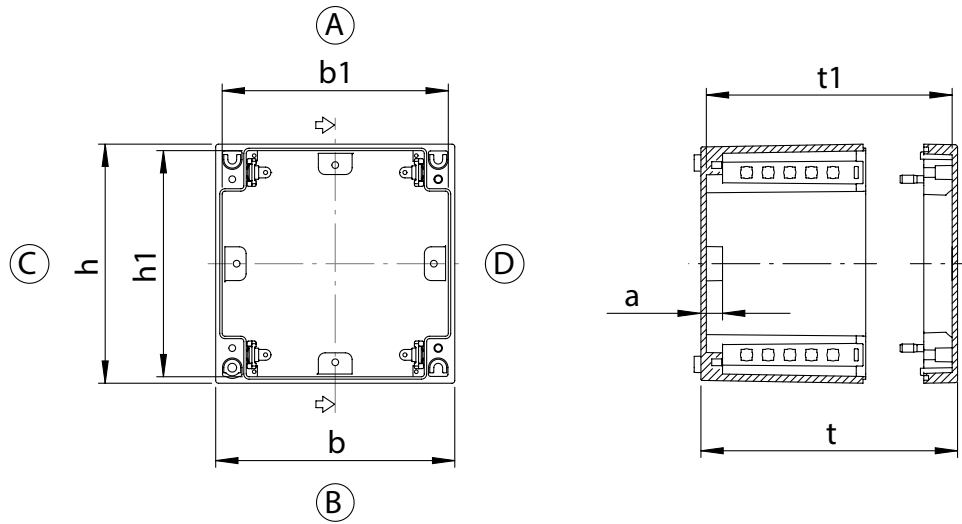
M	Side		PG	Side	
	A/B	C/D		A/B	C/D
12	109	109	7	109	109
16	50	50	9	65	65
20	40	40	11	48	48
25	21	21	13,5	40	40
32	12	12	16	32	32
40	9	9	21	21	21
50	5	5	29	12	12
63	4	4	36	7	7
75			42	5	5
85			48	4	4

DIN rail	TS 35
Length (mm)	333
max. fitting length (mm)	285

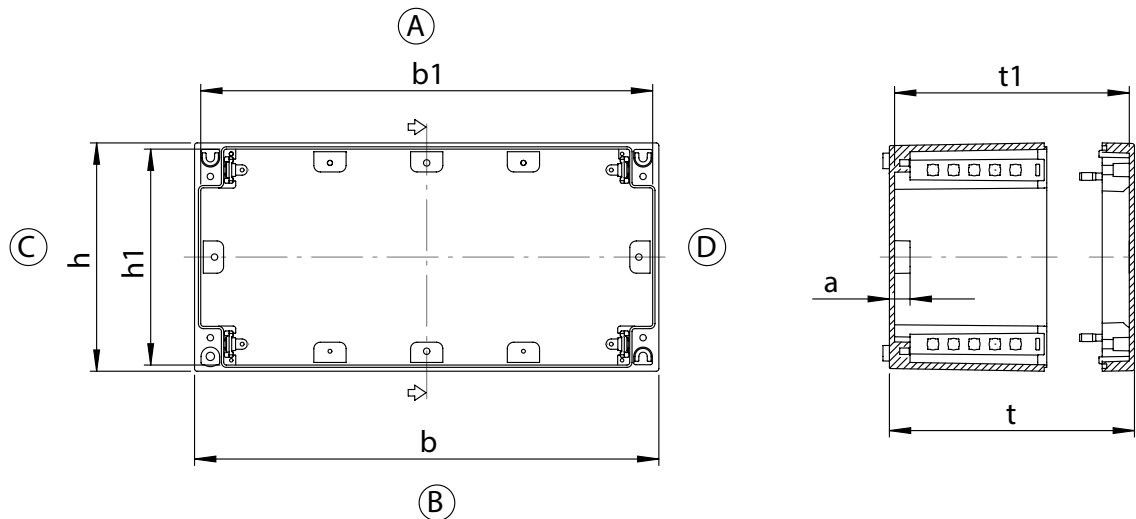
Ex Polyester CombiBox

Technical details

Order no.	b	h	t	b1	h1	t1	a
XX.01 22 15	177	177	145	169	169	137	16
XX.01 44 15	360	360	145	352	352	137	16



Order no.	b	h	t	b1	h1	t1	a
XX.01 24 15	360	177	145	352	169	137	16



Detail drawings see www.rose-pw.de



- + Glass fibre reinforced enclosure system of polyester resin for application in all Ex areas
- + Empty enclosure for individual fittings and Ex e / Ex ia junction boxes
- + Optional: Version with window
- + Combination with other polyester flange enclosures possible

Included in delivery

Empty enclosure: Enclosure system with blind flange and silicone lid seal, polyurethane seal
 Junction box: Enclosure system - depending on version either with silicone seal, continuity plate, DIN rails, internal earthing connection, terminals, manufacturing, cable glands

Technical datas

Explosion protection	II 2G Ex e IIC T6/T5/T4 Gb II 2G Ex ia IIC T6/T5/T4 Gb II 2G Ex d e ia [ia] mb IIC T6/T5/T4 Gb II 3G Ex e d mb ia [ia] nA nC [op is] IIC T6, T5, T4 Gc II 2D Ex tb IIIC T85°C/T100°C/T135°C Db IP65
Material	glass fibre reinforced duroplastic polyester, graphite added
Colour	RAL 9011, graphite black
Ingress protection	IP 65 to EN 60529
Impact resistance	7 Joule to EN 60079-0
Flammability	self-extinguishing, UL 94 V-0
Surface resistance	<10 ⁹ Ohm to IEC 60093
Toxicity	halogen free
Temperature range	Ex B: -55°C to +135°C other seals/executions see Ex approval Ex e / ia: -20°C to +40°C (acc. T6 = 80°C max. on surface temperature) -20°C to +55°C (acc. T5 = 95°C max. on surface temperature) to -55°C with special marking on request
Other versions on request	EMC

Ex Polyester Flange

Product overview

Ex e	Ex empty	Ex ia	Dimensions H x W x D (mm)	Weight (g)			
Order no.	Product type	Order no.	Product type	Order no.	Product type		
06.14 01 00	PFEExe 0610	26.14 01 00	PFEExB 0610	16.14 01 00	PFEExi 0610	170 x 270 x 136	1690
06.14 02 00	PFEExe 0620	26.14 02 00	PFEExB 0620	16.14 02 00	PFEExi 0620	270 x 270 x 136	1900
06.14 03 00	PFEExe 0630	26.14 03 00	PFEExB 0630	16.14 03 00	PFEExi 0630	270 x 541 x 136	3350

Terminal mounting

Make	Phoenix Contact									
DIN rail	TS 15	TS 15	TS 35	TS 35	TS 35	TS 35	TS 35	TS 35	TS 35	TS 35
Nominal cross section (mm ²)	2,5	4	2,5	4	6	10	16	35	50	
Voltage (V)	352	352	690	690	690	690	690	690	690	
Terminal width (mm)	5,2	6,2	5,2	6,2	8,2	10,2	12,2	16,2	20	
Terminal type										
Enclosure type	MUT 2,5	MUT 4	UT 2,5	UT 4	UT 6	UT 10	UT 16	UT 35	UKH 50	PE bar 1,5 to 6 mm ²
XX.14 01 00	42	35	42	35	26	21	18	13		20
XX.14 02 00	72	60	72	60	46	36	28	22		20
XX.14 03 00	176	148	176	148	112	90	74	56	50	48

Other supplier on request

Accessories

Order no.	DIN rails	Mounting plate
XX.14 01 00	•	•
XX.14 02 00	•	•
XX.14 03 00	•	•

Blind flange



Order no. Version

06.14 00 20 for XX.14 01 00 - XX.14 03 00

Connecting flange

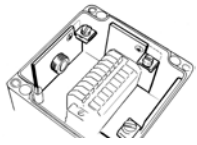


Order no. Version

06.14 00 25 Connecting flange

Accessories

Continuity plate



for side A/B

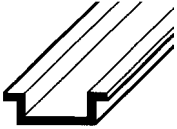
Order no. Version

12.05 52 80 for XX.14 01 00

12.05 52 81 for XX.14 02 00

12.05 52 82 for XX.14 03 00

DIN rails



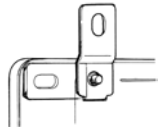
Order no. Version

10.06 17 21 TS 35/7.5 for XX.14 01 00

10.06 17 22 TS 35/7.5 for XX.14 02 00

10.06 17 23 TS 35/7.5 for XX.14 03 00

External mounting brackets

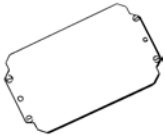


set = 4 pcs

Order no. Version

10.03 11 02 for XX.14 01 00 - XX.14 03 00

Mounting plate



Order no. Version

14.00 00 11 for XX.14 01 00

14.00 00 12 for XX.14 02 00

14.00 00 13 for XX.14 03 00

PE bar



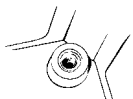
Order no. Version

12.05 42 80 for XX.14 01 00

12.05 42 81 for XX.14 02 00

12.05 42 82 for XX.14 03 00

Threaded insert



Set = 10 pcs

Order no.

10.03 50 02

Ex Polyester Flange

Technical details



Order no.	Product type	Dimensions H x W x D (mm)
06.14 01 00	PFExe 0610	170 x 270 x 136
16.14 01 00	PFExi 0610	170 x 270 x 136
26.14 01 00	PFExB 0610	170 x 270 x 136

		1,5	2,5	4	6	10	16	25	35	50	70	95
	**	54	44	37	28	22	18	15	15			
	N	1	1	1	1	1	1	1	1			
 x A	6											
	10	66										
	16	22	44	171								
	20	9	25	49								
	25		12	28	54							
	35			8	21	53						
	50				3	17	43					
	63					5	20	72				
	80						7	22	80			
	100							9	21			
	125								8			
	160											
	200											
	225											
	250											
	315											
	400											
500												

Maximum number of cable glands to DIN 50262

M	Side		PG	Side	
	A/B	C/D		A/B	C/D
12	63	33	7	63	33
16	28	16	9	38	20
20	22	12	11	28	14
25	12	6	13,5	22	12
32	8	4	16	18	9
40	3	2	21	11	6
50	3	1	29	8	4
63	2	1	36	3	2
75			42	3	1
85			48	2	1

DIN rail	TS 35
Length (mm)	255
max. fitting length (mm)	220



Order no.	Product type	Dimensions H x W x D (mm)
06.14 02 00	PFExe 0620	270 x 270 x 136
16.14 02 00	PFExi 0620	270 x 270 x 136
26.14 02 00	PFExB 0620	270 x 270 x 136

		1,5	2,5	4	6	10	16	25	35	50	70	95
	**	108	88	74	56	44	36	30	30			
	N	2	2	2	2	2	2	2	2			
 x A	6											
	10	77										
	16	26	51	198								
	20	11	30	57								
	25		14	32	63							
	35			9	24	61						
	50				3	20	50					
	63					6	23	83				
	80						9	26	93			
	100							11	24			
	125								10			
	160											
	200											
	225											
	250											
	315											
	400											
500												

Maximum number of cable glands to DIN 50262

M	Side		PG	Side	
	A/B	C/D		A/B	C/D
12	63	63	7	63	63
16	28	28	9	38	38
20	22	22	11	28	28
25	12	12	13,5	22	22
32	8	8	16	18	18
40	3	3	21	11	11
50	3	3	29	8	8
63	2	2	36	3	3
75			42	3	3
85			48	2	2

DIN rail	TS 35
Length (mm)	215
max. fitting length (mm)	190

Technical details



Order no.	Product type	Dimensions H x W x D (mm)
06.14 03 00	PFExe 0630	270 x 541 x 136
16.14 03 00	PFExi 0630	270 x 541 x 136
26.14 03 00	PFExB 0630	270 x 541 x 136

Maximum number of cable glands to DIN 50262



	1,5	2,5	4	6	10	16	25	35	50	70	95
	**	238	192	160	122	98	82	64	64	50	40
		2	2	2	2	2	2	2	2	2	
 x A	6										
	10	85									
	16	29	56	220							
	20	12	33	64							
	25		15	36	69						
	35			10	27	67					
	50				4	22	56				
	63					7	26	92			
	80						10	29	103		
	100							12	27		
	125								11	27	
	160									9	24
	200										8
	225										3
	250										
	315										
	400										
500											

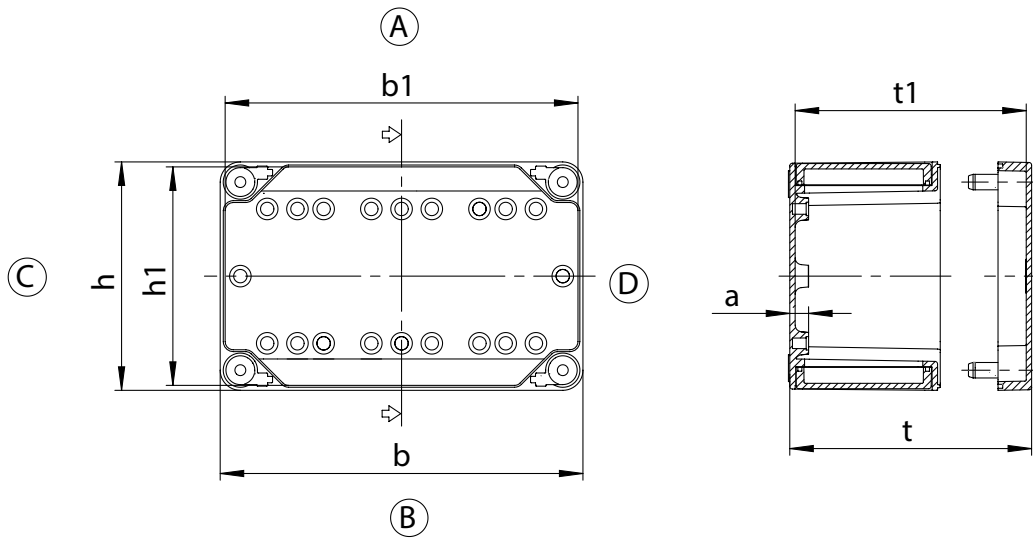
M	Side		PG	Side	
	A/B	C/D		A/B	C/D
12	63	63	7	63	63
16	28	28	9	38	38
20	22	22	11	28	28
25	12	12	13,5	22	22
32	8	8	16	18	18
40	3	3	21	11	11
50	3	3	29	8	8
63	2	2	36	3	3
75			42	3	3
85			48	2	2

DIN rail	TS 35
Length (mm)	485
max. fitting length (mm)	460

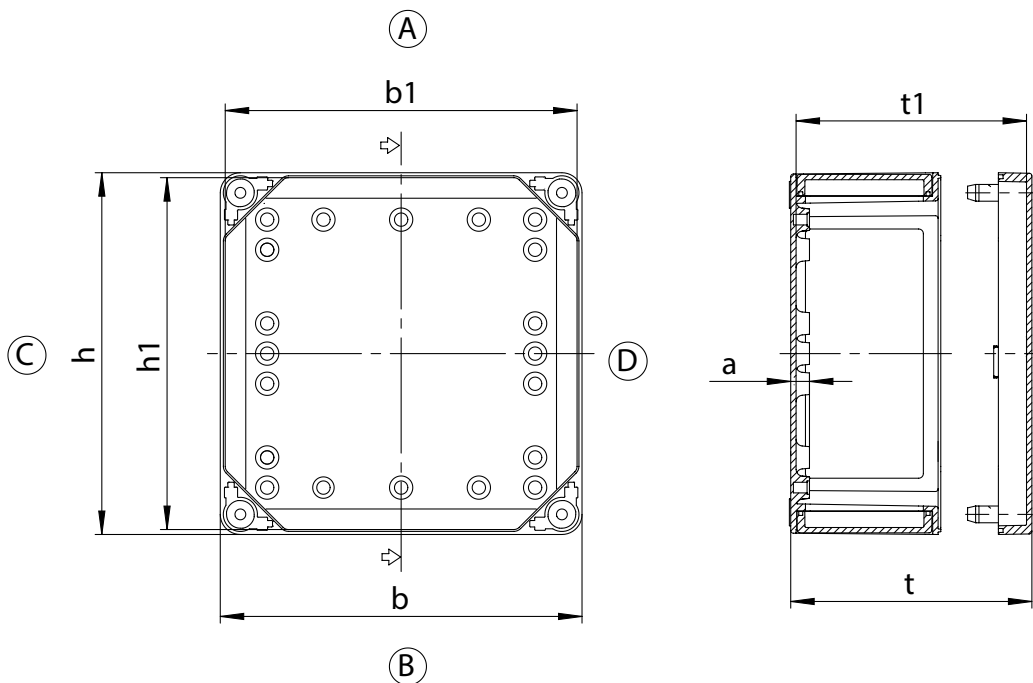
Ex Polyester Flange

Technical details

Order no.	b	h	t	b1	h1	t1	a
XX.14 01 00	270	170	136	257	157	127	14
XX.14 03 00	541	170	136	528	157	127	14



Order no.	b	h	t	b1	h1	t1	a
XX.14 02 00	270	270	136	257	257	127	14



Detail drawings see www.rose-pw.de



- + Glass fibre reinforced enclosure systems of polyester-resin for use in all Ex-areas
- + Empty enclosures for individual fittings and Ex e / Ex ia terminal enclosures
- + enclosures with external brackets

Included in delivery

Empty enclosure: Enclosure with silicone seal
 Junction box: Enclosure system - depending on version either with silicone seal, continuity plate, DIN rails, internal earthing connection, terminals, manufacturing, cable glands

Technical datas

Explosion protection	II 2G Ex e IIC T6/T5/T4 Gb II 2G Ex ia IIC T6/T5/T4 Gb II 2G Ex d e ia [ia] mb IIC T6/T5/T4 Gb II 3G Ex e d mb ia [ia] nA nC [op is] IIC T6, T5, T4 Gc II 2D Ex tb IIIC T85°C/T100°C/T135°C Db IP66
Material	glass fibre reinforced duroplastic polyester, graphite added
Colour	RAL 9011, graphite black
Ingress protection	IP 66 to EN 60529
Impact resistance	7 Joule to EN 60079-0
Flammability	self-extinguishing, UL 94 V-0
Surface resistance	<10 ⁹ Ohm to IEC 60093
Toxicity	halogen free
Temperature range	Ex B: -55°C to +135°C other seals/executions see Ex approval Ex e / ia: -20°C to +40°C (acc. T6 = 80°C max. on surface temperature) -20°C to +55°C (acc. T5 = 95°C max. on surface temperature) -20°C to +90°C (acc. T4 = 130°C max. on surface temperature) to -55°C with special marking on request
Other versions on request	EMC

Polyester Ex Okta Box

Product overview

Ex e		Ex empty		Ex ia		Dimensions H x W x D (mm)	Weight (g)
Order no.	Product type	Order no.	Product type	Order no.	Product type		
06.88 01 00	Okta Exe 0601	26.88 01 00	Okta ExB 2601	16.88 01 00	Okta Exi 1601	81 x 81 x 75	320
06.88 02 00	Okta Exe 0602	26.88 02 00	Okta ExB 2602	16.88 02 00	Okta Exi 1602	121 x 121 x 75	500
06.88 03 00	Okta Exe 0603	26.88 03 00	Okta ExB 2603	16.88 03 00	Okta Exi 1603	161 x 161 x 93	320
06.88 04 00	Okta Exe 0604	26.88 04 00	Okta ExB 2604	16.88 04 00	Okta Exi 1604	200 x 200 x 125	2100

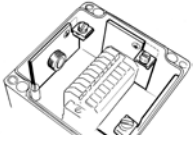
Terminal mounting

Make	Phoenix Contact												
DIN rail	TS 15	TS 15	TS 35	TS 35	TS 35	TS 35	TS 35	TS 35	TS 35	TS 35			
Nominal cross section (mm ²)	2,5	4	2,5	4	6	10	16	35	50				
Voltage (V)	352	352	690	690	690	690	690	690	690				
Terminal width (mm)	5,2	6,2	5,2	6,2	8,2	10,2	12,2	16,2	20				
Terminal type													
Enclosure type	MUT 2,5	MUT 4	UT 2,5	UT 4	UT 6	UT 10	UT 16	UT 35	UKH 50				Sheath clamp (2 x 4 mm ² each clamp)
XX.88 01 00													2
XX.88 02 00	13	11	13	11	8	7							2
XX.88 03 00	20	17	20	17	13	10	8						2
XX.88 04 00	28	23	28	23	18	14	12	9	7				2

Other supplier on request

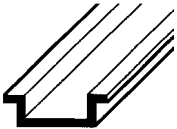
Accessories

Continuity plate



Order no.	Version
10.01 60 15	for XX.88 01 00
10.01 60 16	for XX.88 02 00
10.01 60 17	for XX.88 03 00
10.01 60 18	for XX.88 04 00

DIN rails



Order no.	Version
12.01 02 90	DIN rail TS 15 for XX.88 01 00 lengthwise mounted
12.01 02 93	DIN rail TS 15 for XX.88 01 00 diagonally mounted
12.01 02 91	DIN rail TS 15 for XX.88 02 00 lengthwise mounted
12.01 12 91	DIN rail TS 35 for XX.88 01 00 lengthwise mounted
12.01 02 92	DIN rail TS 15 for XX.88 03 00 lengthwise mounted
12.01 12 92	DIN rail TS 35 for XX.88 02 00 lengthwise mounted
12.01 02 95	DIN rail TS 15 for XX.88 04 00 lengthwise mounted
12.01 12 95	DIN rail TS 35 for XX.88 03 00 diagonally mounted
12.01 02 97	DIN rail TS 15 for XX.88 04 00 diagonally mounted
12.01 12 93	DIN rail TS 35 for XX.88 03 00 lengthwise mounted
12.01 12 94	DIN rail TS 35 for XX.88 04 00 diagonally mounted

Polyester Ex Okta Box

Technical details



Order no.	Product type	Dimensions H x W x D (mm)
06.88 01 00	Okta Exe 0601	81 x 81 x 75
16.88 01 00	Okta Exi 1601	81 x 81 x 75
26.88 01 00	Okta ExB 2601	81 x 81 x 75

		1,5	2,5	4	6	10	16	25	35	50	70	95
	**	8	8									
	N	1	1									
x A	6											
	10	32										
	16	11	21									
	20	4	12									
	25		5									
	35											
	50											
	63											
	80											
	100											
	125											
	160											
	200											
	225											
	250											
	315											
	400											
500												

Maximum number of cable glands to DIN 50262



M	Side		PG	Side	
	A/B	C/D		A/B	C/D
12	3	3	7	3	3
16	1	1	9	2	2
20	1	1	11	1	1
25			13,5	1	1
32			16	1	1
40			21		
50			29		
63			36		
75			42		
85			48		

DIN rail TS 15
Length (mm) 68



Order no.	Product type	Dimensions H x W x D (mm)
06.88 02 00	Okta Exe 0602	121 x 121 x 75
16.88 02 00	Okta Exi 1602	121 x 121 x 75
26.88 02 00	Okta ExB 2602	121 x 121 x 75

		1,5	2,5	4	6	10	16	25	35	50	70	95
	**	14	12	10	7	6						
	N	1	1	1	1	1						
x A	6											
	10	36										
	16	12	24	93								
	20	5	14	27								
	25		6	15	29							
	35			4	11	28						
	50					9						
	63					3						
	80											
	100											
	125											
	160											
	200											
	225											
	250											
	315											
	400											
500												

Maximum number of cable glands to DIN 50262



M	Side		PG	Side	
	A/B	C/D		A/B	C/D
12	8	8	7	8	8
16	3	3	9	5	5
20	2	2	11	3	3
25	1	1	13,5	2	2
32			16	2	2
40			21	1	1
50			29		
63			36		
75			42		
85			48		

DIN rail TS 15/35
Length (mm) 101
max. fitting length (mm) 72

Polyester Ex Okta Box

Technical details



Order no.	Product type	Dimensions H x W x D (mm)
06.88 03 00	Okta Exe 0603	161 x 161 x 93
16.88 03 00	Okta Exi 1603	161 x 161 x 93
26.88 03 00	Okta ExB 2603	161 x 161 x 93

Maximum number of cable glands to DIN 50262



M	Side		PG	Side	
	A/B	C/D		A/B	C/D
12	15	15	7	15	15
16	8	8	9	9	9
20	5	5	11	8	8
25	2	2	13,5	5	5
32	2	2	16	4	4
40			21	2	2
50			29	2	2
63			36		
75			42		
85			48		

DIN rail	TS 15/35
Length (mm)	141
max. fitting length (mm)	107,5

		1,5	2,5	4	6	10	16	25	35	50	70	95
	**	24	19	16	12	10	8					
	N	1	1	1	1	1	1					
	6											
	10	47										
	16	16	31	121								
	20	6	18	35								
	25		8	20	38							
	35			5	15	37						
	50				2	12	30					
	63					4	14					
	80						5					
	100											
	125											
	160											
	200											
	225											
	250											
	315											
400												
500												



Order no.	Product type	Dimensions H x W x D (mm)
06.88 04 00	Okta Exe 0604	200 x 200 x 125
16.88 04 00	Okta Exi 1604	200 x 200 x 125
26.88 04 00	Okta ExB 2604	200 x 200 x 125

Maximum number of cable glands to DIN 50262



M	Side		PG	Side	
	A/B	C/D		A/B	C/D
12	36	36	7	36	36
16	16	16	9	20	20
20	12	12	11	16	16
25	6	6	13,5	12	12
32	4	4	16	10	10
40	2	2	21	6	6
50	2	2	29	4	4
63	1	1	36	2	2
75			42	1	1
85			48	1	1

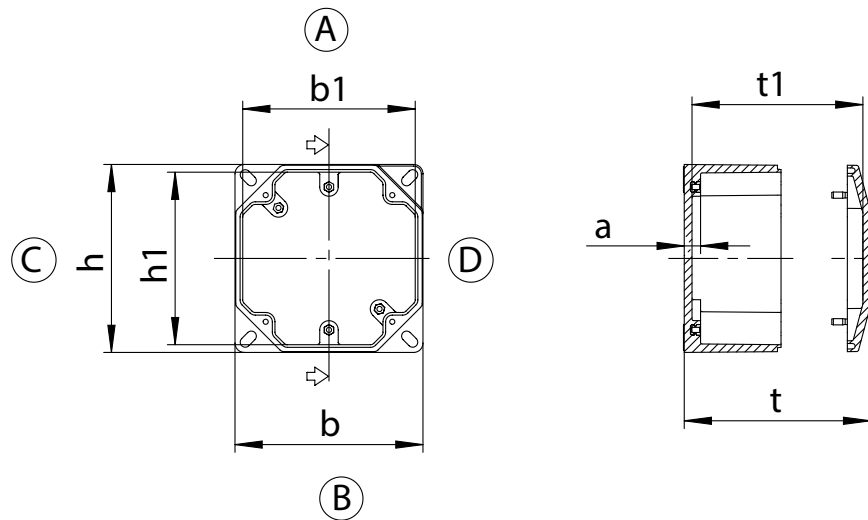
DIN rail	TS 35
Length (mm)	178
max. fitting length (mm)	148

		1,5	2,5	4	6	10	16	25	35	50	70	95
	**	111	90	75	57	30	24	10	10	7		
	N	1	1	1	1	1	1	1	1	1		
	6											
	10	64										
	16	22	42	165								
	20	9	25	48								
	25		11	27	52							
	35			8	20	51						
	50				3	16	42					
	63					5	19	69				
	80						7	21	77			
	100							9	20			
	125								8	20		
	160									7		
	200											
	225											
	250											
	315											
400												
500												

Polyester Ex Okta Box

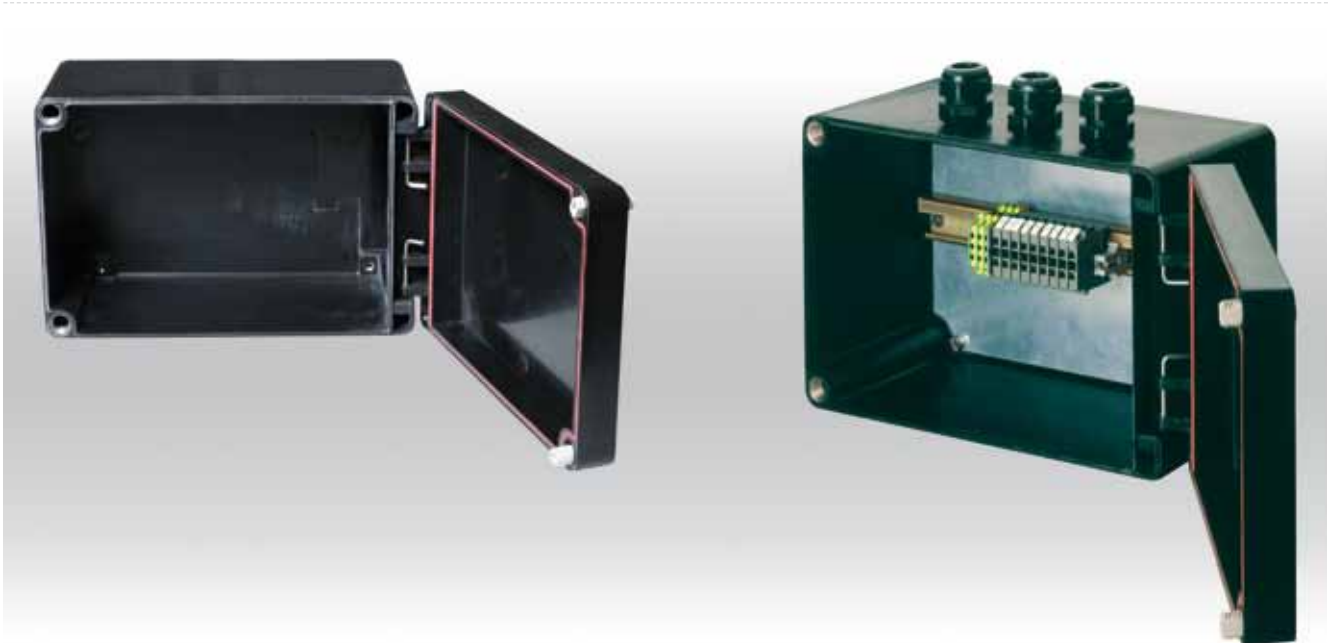
Technical details

Order no.	b	h	t	b1	h1	t1	a
XX.88 01 00	81	81	75	71	71	65	10,5
XX.88 02 00	121	121	75	111	111	65	10,5
XX.88 03 00	161	161	93	151	151	83	10,5
XX.88 04 00	201	201	125	188	188	110	14,5



Detail drawings see www.rose-pw.de

Ex Polyester cabinets Polyglas



- + Polyester Ex enclosure with hinged lid
- + Easy fitting of Ex components
- + Available as full assembled enclosure with terminals, cable glands and further Ex accessories or as empty enclosure, component certified

Included in delivery

Empty enclosure: Enclosure with silicone seal and square lock.

Junction box: Enclosure system - depending on version with silicone seal, continuity plate, with DIN rails, internal earthing connections, terminals, manufacturing, cable glands, square lock

Technical datas

Explosion protection	II 2G Ex e IIC T6/T5/T4 Gb II 2G Ex ia IIC T6/T5/T4 Gb II 2G Ex d e ia [ia] mb IIC T6/T5/T4 Gb II 3G Ex e d mb ia [ia] nA nC [op is] IIC T6, T5, T4 Gc II 2D Ex tb IIIC T85°C/T100°C/T135°C Db IP66
Material	glass fibre reinforced duroplastic polyester, graphite added
Colour	RAL 9011, graphite black
Ingress protection	IP 66 to EN 60529
Impact resistance	7 Joule to EN 60079-0
Flammability	self-extinguishing, UL 94 V-0
Surface resistance	<10 ⁹ Ohm to IEC 60093
Toxicity	halogen free
Temperature range	Ex B: -55°C to +135°C other seals/executions see Ex approval Ex e / ia: -20°C to +40°C (acc. T6 = 80°C max. on surface temperature) -20°C to +55°C (acc. T5 = 95°C max. on surface temperature) to -55°C with special marking on request

Ex Polyester cabinets Polyglas

Product overview

Ex e		Ex empty		Ex ia		Dimensions H x W x D (mm)	Weight (g)
Order no.	Product type	Order no.	Product type	Order no.	Product type		
06.20 20 00	Pog Exe 1	26.20 20 00	Pog ExB 1	16.20 20 00	Pog Exi 1	200 x 200 x 168	1800
06.20 30 00	Pog Exe 2	26.20 30 00	Pog ExB 2	16.20 30 00	Pog Exi 2	200 x 300 x 168	2350
06.30 40 00	Pog Exe 3	26.30 40 00	Pog ExB 3	16.30 40 00	Pog Exi 3	405 x 305 x 202	4100
06.40 60 00	Pog Exe 4	26.40 60 00	Pog ExB 4	16.40 60 00	Pog Exi 4	605 x 405 x 252	7200

Terminal mounting

Make	Phoenix Contact												
	TS 15	TS 15	TS 35	TS 35	TS 35	TS 35	TS 35	TS 35	TS 35	TS 35	TS 35	TS 35	
DIN rail	TS 15	TS 15	TS 35	TS 35	TS 35	TS 35	TS 35	TS 35	TS 35	TS 35	TS 35	TS 35	
Nominal cross section (mm ²)	2,5	4	2,5	4	6	10	16	35	50	95	150	240	
Voltage (V)	352	352	690	690	690	690	690	690	690	880	1100	1100	
Terminal width (mm)	5,2	6,2	5,2	6,2	8,2	10,2	12,2	16,2	20	25	31	36	
Terminal type													
Enclosure type	MUT 2,5	MUT 4	UT 2,5	UT 4	UT 6	UT 10	UT 16	UT 35	UKH 50	UKH 95	UKH 150	UKH 240	Sheath clamp (2 x 4 mm ² each clamp)
XX.20 20 00	25	21	25	21	15	12	10	8					6
XX.20 30 00	44	37	44	37	28	22	18	14	13				11
XX.30 40 00	124	110	124	110	84	66	28	21	18	14	11		17
XX.40 60 00	312	261	312	261	132	106	88	33	28	22	18	10	28

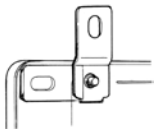
Other supplier on request

Accessories

Order no.	External mounting brackets	Mounting plate
XX.20 20 00	•	•
XX.20 30 00	•	•
XX.30 40 00	•	•
XX.40 60 00	•	•

Accessories

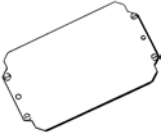
External mounting brackets



set = 4 pcs

Order no.	Version
10.03 10 08	for XX.20 20 00, XX.20 30 00
10.03 10 09	for XX.30 40 00, XX.40 60 00

Mounting plate



Order no.	Version
10.01 12 01	for XX.20 20 00
10.01 12 02	for XX.20 30 00
10.01 12 03	for XX.30 40 00
10.01 12 04	for XX.40 60 00

Socket wrench

Order no.	Version
10.04 70 03	triangular 8mm
10.04 70 04	square 8mm
10.04 70 05	phillips screw
10.04 70 14	square 7mm
10.04 70 06	Daimler Benz
10.04 70 07	double ward 3mm

Turn bolt fastener



Order no.	Version
21.61 00 03	triangular lock 8mm
21.61 00 04	square lock 8 mm (2 pcs)
21.61 00 14	square lock 7 mm (2 pcs)
21.61 00 06	daimler benz lock (2 pcs)
21.61 00 07	double ward lock 3mm (2 pcs)
21.61 00 01	standard handle (2 pcs)
21.61 00 02	standard handle with lock (2pcs)

locking screws



Order no.	Version
21.63 00 03	triangular screw 8mm
21.63 00 04	square screw 8mm (2 pcs)
21.63 00 24	square screw 6mm (2 pcs)
21.63 00 05	phillips screw (2 pcs)

Ex Polyester cabinets Polyglas

Technical details



Order no.	Product type	Dimensions H x W x D (mm)
06.20 20 00	Pog Exe 1	200 x 200 x 168
16.20 20 00	Pog Exi 1	200 x 200 x 168
26.20 20 00	Pog ExB 1	200 x 200 x 168

		1,5	2,5	4	6	10	16	25	35	50	70	95
	**	35	28	24	18	14	12	9	9			
	N	1	1	1	1	1	1	1	1			
x A	6											
	10	76										
	16	26	50	197								
	20	10	29	57								
	25		14	32	62							
	35			9	24	60						
	50				3	19	50					
	63					6	23	82				
	80						9	26	92			
	100							11	24			
	125								9			
	160											
	200											
	225											
	250											
	315											
400												
500												

Maximum number of cable glands to DIN 50262



M	Side		PG	Side	
	A/B	C/D		A/B	C/D
12	39	53	7	39	53
16	18	25	9	21	30
20	13	20	11	16	23
25	6	10	13,5	13	20
32	5	6	16	12	16
40	3	4	21	6	9
50	2	2	29	4	6
63	1	2	36	2	4
75			42	1	2
85			48	1	2

DIN rail	TS 35
Length (mm)	151
max. fitting length (mm)	131



Order no.	Product type	Dimensions H x W x D (mm)
06.20 30 00	Pog Exe 2	200 x 300 x 168
16.20 30 00	Pog Exi 2	200 x 300 x 168
26.20 30 00	Pog ExB 2	200 x 300 x 168

		1,5	2,5	4	6	10	16	25	35	50	70	95
	**	62	50	42	31	25	21	17	17	13		
	N	1	1	1	1	1	1	1	1	1		
x A	6											
	10	80										
	16	27	53	208								
	20	11	31	60								
	25		14	34	65							
	35			10	25	64						
	50				3	21	53					
	63					7	24	87				
	80						9	27	97			
	100							11	25			
	125								10	26		
	160									9		
	200											
	225											
	250											
	315											
400												
500												

Maximum number of cable glands to DIN 50262



M	Side		PG	Side	
	A/B	C/D		A/B	C/D
12	77	53	7	77	53
16	38	25	9	45	30
20	28	20	11	35	23
25	15	10	13,5	28	20
32	9	6	16	24	16
40	6	4	21	15	9
50	4	2	29	8	6
63	3	2	36	6	4
75			42	4	2
85			48	3	2

DIN rail	TS 35
Length (mm)	251
max. fitting length (mm)	231

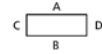
Ex Polyester cabinets Polyglas

Technical details



Order no.	Product type	Dimensions H x W x D (mm)
06.30 40 00	Pog Exe 3	405 x 305 x 202
16.30 40 00	Pog Exi 3	405 x 305 x 202
26.30 40 00	Pog ExB 3	405 x 305 x 202

Maximum number of cable glands to DIN 50262

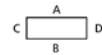


M	Side		PG	Side	
	A/B	C/D		A/B	C/D
12	106	144	7	106	140
16	48	65	9	63	85
20	40	54	11	45	63
25	21	30	13,5	40	54
32	12	17	16	30	42
40	8	12	21	21	29
50	5	7	29	12	16
63	4	5	36	8	11
75			42	5	7
85			48	4	6

DIN rail	TS 35
Length (mm)	365
max. fitting length (mm)	345

	1,5	2,5	4	6	10	16	25	35	50	70	95	120	150	
	**	172	140	116	88	70	29	24	24	18	14	14	11	
	2	2	2	2	2	1	1	1	1	1	1	1	1	
	6													
	10	105												
	16	36	70	272										
	20	15	41	79										
	25		19	45	86									
	35			13	34	84								
	50				5	27	69							
	63					9	32	114						
	80						12	36	128					
	100							15	34					
	125								13	34				
	160									11	30			
	200										10	26	80	
	225										4	15	31	
	250											8	19	40
	315												4	11
400														
500														

Maximum number of cable glands to DIN 50262



M	Side		PG	Side	
	A/B	C/D		A/B	C/D
12	215	256	7	198	256
16	102	158	9	136	208
20	81	123	11	102	158
25	43	65	13,5	81	123
32	26	40	16	63	96
40	18	27	21	40	63
50	11	18	29	24	36
63	10	14	36	17	26
75			42	11	17
85			48	10	14

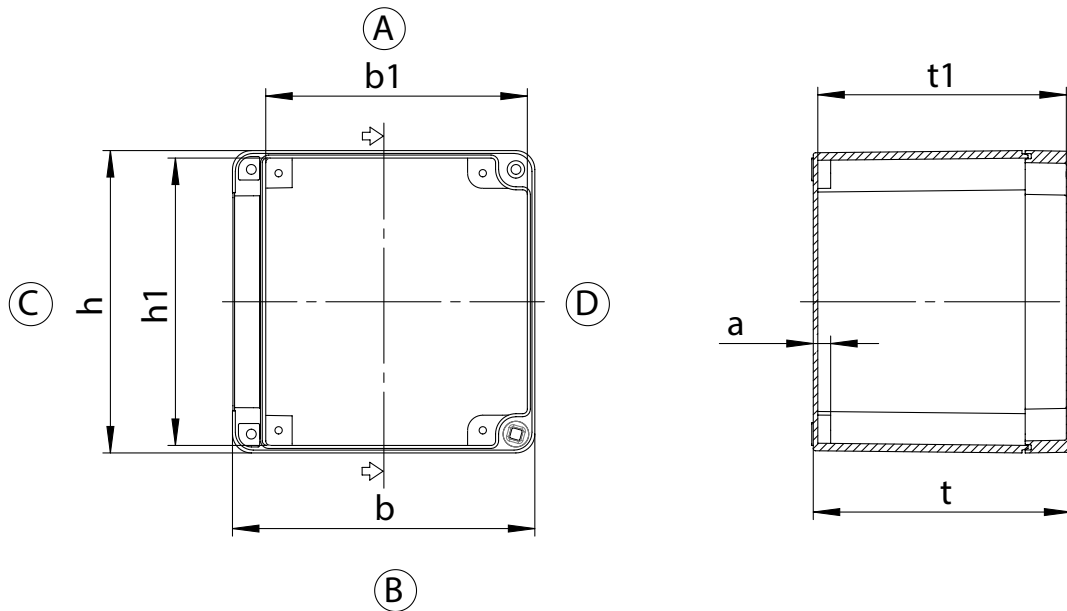
DIN rail	TS 35
Length (mm)	565
max. fitting length (mm)	545

	1,5	2,5	4	6	10	16	25	35	50	70	95	120	150	185	240
	**	402	324	273	136	110	92	37	37	28	22	22	18	18	10
	3	3	3	2	2	2	1	1	1	1	1	1	1	1	1
	6														
	10	138													
	16	47	91	356											
	20	19	53	103											
	25		25	58	112										
	35			17	44	109									
	50				6	35	90								
	63					12	42	149							
	80						16	47	167						
	100							20	44						
	125							2	18	44					
	160									15	39				
	200										14	34	105		
	225										5	19	41		
	250											10	25	52	
	315												5	15	31
400														7	21
500															3

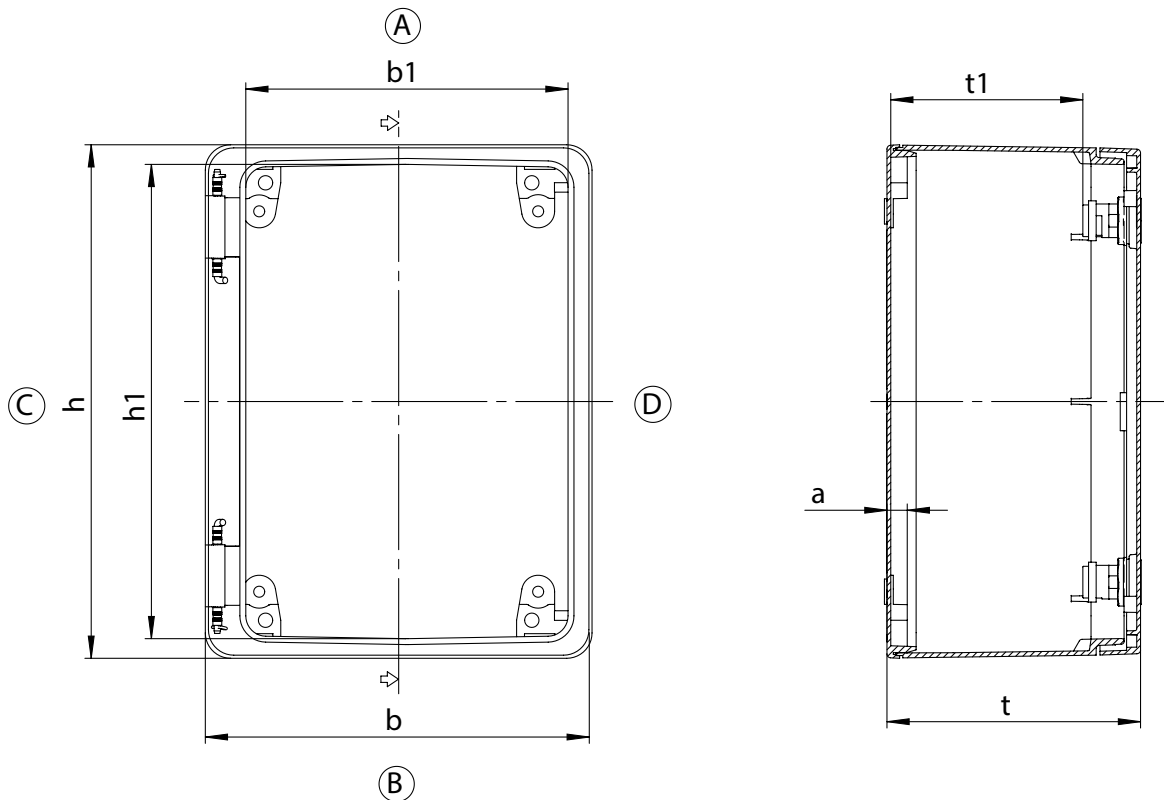
Ex Polyester cabinets Polyglas

Technical details

Order no.	b	h	t	b1	h1	t1	a
XX.20 20 00	200	200	168	173	190	162	8,5
XX.20 30 00	300	200	168	273	190	162	8,5



Order no.	b	h	t	b1	h1	t1	a
XX.30 40 00	305	400	202	254	374	132	16
XX.40 60 00	405	600	252	352	573	181	16



Detail drawings see www.rose-pw.de



- + Polyester enclosures with impact resistance of 20 Joule
- + Empty enclosures for individual fittings
- + Silicone seal and allen lid screws

Included in delivery

Empty enclosure: Enclosure system with silicone seal.

Junction box: Enclosure system - depending on version with silicone seal, DIN rails, internal earthing connection, terminals, continuity plate, manufacturing, cable glands.

Technical datas

Explosion protection	I M2 Ex e I I M1 Ex ia I
Material	glass fibre reinforced duroplastic polyester, graphite added
Colour	RAL 9011, graphite black
Ingress protection	IP 54 to EN 60529
Impact resistance	20 Joule to EN 60079-0
Flammability	self-extinguishing, UL 94 V-0
Surface resistance	<10 ⁹ Ohm to IEC 60093
Toxicity	halogen free
Temperature range	-55°C to +100°C
Other versions on request	EMC

Polyester Ex for mining industry

Product overview

Ex empty		Dimensions H x W x D (mm)	Weight (g)
Order no.	Product type		
48.08 11 06	ExM 48010	75 x 110 x 56	295
48.08 16 06	ExM 48015	75 x 160 x 56	405
48.08 19 06	ExM 48020	75 x 190 x 56	450
48.12 12 09	ExM 48025	120 x 122 x 91	750
48.12 22 09	ExM 48030	120 x 220 x 91	1060
48.16 16 09	ExM 48035	160 x 160 x 91	1290
48.16 26 09	ExM 48040	160 x 260 x 91	1710
48.16 36 09	ExM 48045	160 x 360 x 91	2150
48.25 26 12	ExM 48050	250 x 255 x 121	2650
48.25 40 12	ExM 48055	250 x 400 x 121	3650
48.25 60 12	ExM 48060	250 x 600 x 121	5235

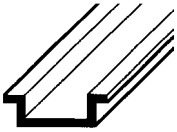
Terminal mounting

Make	Phoenix Contact															Bartec	
	DIN rail	TS 15	TS 15	TS 35	TS 35	TS 35	TS 35	TS 35	TS 35	TS 35	TS 35	TS 35					
Nominal cross section (mm ²)	2,5	4	2,5	4	6	10	16	35	50	95	150	240					
Voltage (V)	352	352	690	690	690	690	690	690	690	880	1100	1100					
Terminal width (mm)	5,2	6,2	5,2	6,2	8,2	10,2	12,2	16,2	20	25	31	36					
Terminal type																	
Enclosure type	MUT 2,5	MUT 4	UT 2,5	UT 4	UT 6	UT 10	UT 16	UT 35	UKH 50	UKH 95	UKH 150	UKH 240	PE bar 1,5 to 6 mm ²	Sheath clamp (2 x 4 mm ² , 3 x 2,5 mm ² each clamp)	Sheath clamp (2 x 6 mm ² , 3 x 4 mm ² , 4 x 2,5 mm ² each clamp)	Ex Mini terminals	Ex Mini terminals blue
48.08 11 06	13	11												4			
48.08 11 08	13	11												4			
48.08 16 06	22	19												4			
48.08 19 06	28	23												4			
48.12 12 09	12	10	12	10	7	6	5								2		
48.12 22 09	32	26	32	26	20	16	13								4		
48.16 16 09	20	16	20	16	12	10	8	6					10				
48.16 26 09	39	33	39	33	25	20	16	12					22				
48.16 36 09	58	48	58	48	36	29	24	18					32				
48.25 26 12	74	62	74	62	48	19	16	12	9				22				
48.25 26 16	74	62	74	62	48	19	16	12	9	7			22				
48.25 40 12	130	110	130	110	82	33	28	21	17				38				
48.25 60 12	208	174	208	174	132	53	44	33	27				58				

Other supplier on request

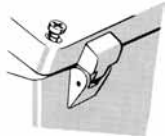
Accessories

DIN rails



Order no.	Version
10.06 11 02	TS 15 for 48.08 11 06
10.06 10 08	TS 15 for 48.08 16 06
10.06 10 10	TS 15 for 48.08 19 06
10.06 14 21	TS 35/7.5 for 48.12 12 09
10.06 14 22	TS 35/7.5 for 48.12 22 09
10.06 14 23	TS 35/7.5 for 48.16 16 09
10.06 14 24	TS 35/7.5 for 48.16 26 09
10.06 14 25	TS 35/7.5 for 48.16 36 09
10.06 14 34	TS 35/7.5 for 48.25 26 12
10.06 14 27	TS 35/7.5 for 48.25 40 12
10.06 14 28	TS 35/7.5 for 48.25 60 12

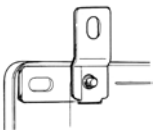
External hinges



Swivelling range 150°,
set = 2 pcs

Order no.	Version
10.02 70 01	for 48.12 12 09 - 48.25 60 12

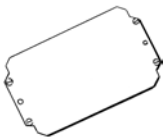
External mounting brackets



set = 4 pcs

Order no.	Version
10.03 11 01	for XX.08 08 06 - XX.10 20 08
10.03 11 02	for XX.12 12 08 - XX.31 60 18, XX.14 01 00 - XX.14 03 00

Mounting plate



Order no.	Version
10.01 11 03	for XX.08 11 06, XX.08 11 08
10.01 11 05	for XX.08 16 06, XX.08 16 08
10.01 11 07	for XX.08 19 06, XX.08 19 08
10.01 10 07	for XX.12 12 08, XX.12 12 09
10.01 10 08	for XX.12 22 08, XX.12 22 09
10.01 10 11	for XX.16 26 09
10.01 10 12	for XX.16 36 09
10.01 11 15	for XX.25 26 12, XX.25 26 16
10.01 11 16	for XX.25 40 12, XX.25 40 16
10.01 11 17	for XX.25 60 12

Polyester Ex for mining industry

Technical details



Order no. **48.08 11 06** Product type **ExM 48010** Dimensions H x W x D (mm) **75 x 110 x 56**

	1,5	2,5	4	6	10	16	25	35	50	70	95
**	13	13									
	1	1									
x A	6										
	10	28									
	16	9	18								
	20	4	11								
	25		5								
	35										
	50										
	63										
	80										
	100										
	125										
	160										
	200										
	225										
	250										
	315										
	400										
500											

Maximum number of cable glands to DIN 50262



M	Side		PG	Side	
	A/B	C/D		A/B	C/D
12	6	3	7	6	3
16	3	1	9	4	1
20	2	1	11	2	1
25	1		13,5	2	1
32			16	2	1
40			21	1	
50			29		
63			36		
75			42		
85			48		

Tragschiene **TS 15**
 Länge (mm) **98**
 max. Bestückungslänge (mm) **68,5**



Order no. **48.08 16 06** Product type **ExM 48015** Dimensions H x W x D (mm) **75 x 160 x 56**

	1,5	2,5	4	6	10	16	25	35	50	70	95
**	23	23									
	1	1									
x A	6										
	10	28									
	16	9	19								
	20	4	11								
	25		5								
	35										
	50										
	63										
	80										
	100										
	125										
	160										
	200										
	225										
	250										
	315										
	400										
500											

Maximum number of cable glands to DIN 50262



M	Side		PG	Side	
	A/B	C/D		A/B	C/D
12	12	3	7	12	2
16	5	1	9	8	1
20	4	1	11	5	1
25	3		13,5	4	1
32			16	3	1
40			21	3	
50			29		
63			36		
75			42		
85			48		

Tragschiene **TS 15**
 Länge (mm) **148**
 max. Bestückungslänge (mm) **118,5**

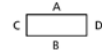
Polyester Ex for mining industry

Technical details



Order no. **48.08 19 06** Product type **ExM 48020** Dimensions H x W x D (mm) **75 x 190 x 56**

Maximum number of cable glands to DIN 50262



		1,5	2,5	4	6	10	16	25	35	50	70	95
	**	28	28									
	N	1	1									
x A	6											
	10	28										
	16	9	19									
	20	4	11									
	25		5									
	35											
	50											
	63											
	80											
	100											
	125											
	160											
	200											
	225											
	250											
	315											
	400											
500												

M	Side		PG	Side	
	A/B	C/D		A/B	C/D
12	16	4	7	16	4
16	7	1	9	12	2
20	5	1	11	7	1
25	4	1	13,5	5	1
32			16	4	1
40			21	4	1
50			29		
63			36		
75			42		
85			48		

Tragschiene **TS 15**
 Länge (mm) **174**
 max. Bestückungslänge (mm) **148,5**



Order no. **48.12 12 09** Product type **ExM 48025** Dimensions H x W x D (mm) **120 x 122 x 91**

Maximum number of cable glands to DIN 50262



		1,5	2,5	4	6	10	16	25	35	50	70	95
	**	19	15	13	10	8	6					
	N	1	1	1	1	1	1					
x A	6											
	10	43										
	16	14	28	111								
	20	6	16	32								
	25		8	18	35							
	35			5	13	34						
	50				2	11	28					
	63					3	13					
	80						5					
	100											
	125											
	160											
	200											
	225											
	250											
	315											
	400											
500												

M	Side		PG	Side	
	A/B	C/D		A/B	C/D
12	12	12	7	12	12
16	5	5	9	8	6
20	4	4	11	5	5
25	2	2	13,5	4	4
32	1	1	16	4	3
40	1	1	21	2	2
50			29	1	1
63			36	1	1
75			42		
85			48		

Tragschiene **TS 35**
 Länge (mm) **107**
 max. Bestückungslänge (mm) **65**

Polyester Ex for mining industry

Technical details



Order no. **48.12 22 09** Product type **ExM 48030** Dimensions H x W x D (mm) **120 x 220 x 91**

Maximum number of cable glands to DIN 50262



		1,5	2,5	4	6	10	16	25	35	50	70	95
	**	42	34	29	21	17	14					
	N	1	1	1	1	1	1					
x A	6											
	10	46										
	16	15	30	119								
	20	6	18	34								
	25		8	19	37							
	35			5	14	36						
	50				2	12	30					
	63					4	14					
	80						5					
	100											
	125											
	160											
	200											
	225											
	250											
	315											
	400											
500												

M	Side		PG	Side	
	A/B	C/D		A/B	C/D
12	32	12	7	30	12
16	14	5	9	21	6
20	12	4	11	14	5
25	6	2	13,5	12	4
32	3	1	16	10	3
40	2	1	21	6	2
50			29	3	1
63			36	2	1
75			42		
85			48		

Tragschiene **TS 35**
 Länge (mm) **205**
 max. Bestückungslänge (mm) **166,5**



Order no. **48.16 16 09** Product type **ExM 48035** Dimensions H x W x D (mm) **160 x 160 x 91**

Maximum number of cable glands to DIN 50262



		1,5	2,5	4	6	10	16	25	35	50	70	95
	**	28	23	19	14	11	9	7	7			
	N	1	1	1	1	1	1	1	1			
x A	6											
	10	48										
	16	16	32	125								
	20	7	19	36								
	25		9	20	39							
	35			6	15	38						
	50				2	12	32					
	63					4	14	52				
	80						5	16	59			
	100							7	15			
	125								6			
	160											
	200											
	225											
	250											
	315											
	400											
500												

M	Side		PG	Side	
	A/B	C/D		A/B	C/D
12	26	18	7	26	18
16	14	8	9	15	12
20	9	6	11	12	8
25	6	3	13,5	9	6
32	3	2	16	8	6
40	2	1	21	6	3
50	2	1	29	2	2
63			36	2	1
75			42	1	
85			48		

Tragschiene **TS 35**
 Länge (mm) **144**
 max. Bestückungslänge (mm) **105**

Polyester Ex for mining industry

Technical details



Order no. **48.16 26 09** Product type **ExM 48040** Dimensions H x W x D (mm) **160 x 260 x 91**

Maximum number of cable glands to DIN 50262



M	Side		PG	Side	
	A/B	C/D		A/B	C/D
12	50	16	7	50	15
16	26	8	9	30	11
20	17	6	11	21	6
25	11	3	13,5	17	6
32	5	2	16	14	5
40	3	1	21	11	3
50	3		29	5	2
63			36	3	1
75			42	3	
85			48		

Tragschiene **TS 35**
Länge (mm) **245**
max. Bestückungslänge (mm) **205**

		1,5	2,5	4	6	10	16	25	35	50	70	95
	**	52	42	35	26	21	18	14	14			
	N	1	1	1	1	1	1	1	1			
x A	6											
	10	52										
	16	18	35	136								
	20	7	20	39								
	25		9	22	43							
	35			6	16	41						
	50				2	13	34					
	63					4	16	57				
	80						6	17	64			
	100							7	16			
	125								6			
	160											
	200											
	225											
	250											
	315											
400												
500												



Order no. **48.16 36 09** Product type **ExM 48045** Dimensions H x W x D (mm) **160 x 360 x 91**

Maximum number of cable glands to DIN 50262



M	Side		PG	Side	
	A/B	C/D		A/B	C/D
12	72	18	7	72	18
16	38	8	9	42	12
20	26	6	11	36	8
25	16	3	13,5	26	6
32	7	2	16	20	6
40	5	1	21	16	3
50	4	1	29	7	2
63			36	5	1
75			42	4	
85			48		

Tragschiene **TS 35**
Länge (mm) **343**
max. Bestückungslänge (mm) **302**

		1,5	2,5	4	6	10	16	25	35	50	70	95
	**	76	61	51	39	31	26	21	21			
	N	1	1	1	1	1	1	1	1			
x A	6											
	10	53										
	16	18	35	138								
	20	7	20	40								
	25		9	22	43							
	35			6	17	42						
	50				2	14	35					
	63					4	16	58				
	80						6	18	65			
	100							7	17			
	125								7			
	160											
	200											
	225											
	250											
	315											
400												
500												

Polyester Ex for mining industry

Technical details



Order no. **48.25 26 12** Product type **ExM 48050** Dimensions H x W x D (mm) **250 x 255 x 121**

Maximum number of cable glands to DIN 50262



		1,5	2,5	4	6	10	16	25	35	50	70	95
		102	82	68	52	21	17	14	14	10		
		2	2	2	2	1	1	1	1	1		
 A	6											
	10	70										
	16	24	47	182								
	20	10	27	52								
	25		13	30	57							
	35			8	22	56						
	50				3	18	46					
	63					6	21	76				
	80						8	24	85			
	100							10	22			
	125								9	22		
	160									7		
	200											
	225											
	250											
	315											
	400											
500												

M	Side		PG	Side	
	A/B	C/D		A/B	C/D
12	69	51	7	69	51
16	32	24	9	40	32
20	24	18	11	32	24
25	12	10	13,5	24	18
32	8	7	16	21	17
40	4	3	21	12	9
50	3	3	29	8	6
63	3	2	36	4	3
75			42	3	2
85			48	3	2

Tragschiene **TS 35**
Länge (mm) **238**
max. Bestückungslänge (mm) **197**



Order no. **48.25 40 12** Product type **ExM 48055** Dimensions H x W x D (mm) **250 x 400 x 121**

Maximum number of cable glands to DIN 50262



		1,5	2,5	4	6	10	16	25	35	50	70	95
		170	138	116	86	35	29	23	23	18		
		2	2	2	2	1	1	1	1	1		
 A	6											
	10	76										
	16	26	50	197								
	20	10	29	57								
	25		14	32	62							
	35			9	24	60						
	50				3	19	50					
	63					6	23	82				
	80						9	26	92			
	100							11	24			
	125								9	24		
	160									8		
	200											
	225											
	250											
	315											
	400											
500												

M	Side		PG	Side	
	A/B	C/D		A/B	C/D
12	117	50	7	114	50
16	56	22	9	68	32
20	42	18	11	56	21
25	21	10	13,5	40	18
32	14	6	16	33	17
40	7	3	21	21	9
50	5	2	29	14	5
63	5	2	36	7	3
75			42	5	2
85			48	5	2

Tragschiene **TS 35**
Länge (mm) **381**
max. Bestückungslänge (mm) **342**

Technical details



Order no. **48.25 60 12** Product type **ExM 48060** Dimensions H x W x D (mm) **250 x 600 x 121**

Maximum number of cable glands to DIN 50262



		1,5	2,5	4	6	10	16	25	35	50	70	95
	**	266	214	180	136	54	45	36	36	28		
	N	2	2	2	2	1	1	1	1	1		
x A	6											
	10	78										
	16	27	52	202								
	20	11	30	58								
	25		14	33	64							
	35			9	25	62						
	50				3	20	51					
	63					6	24	85				
	80						9	26	95			
	100							11	25			
	125								10	25		
	160									8		
	200											
	225											
	250											
	315											
400												
500												

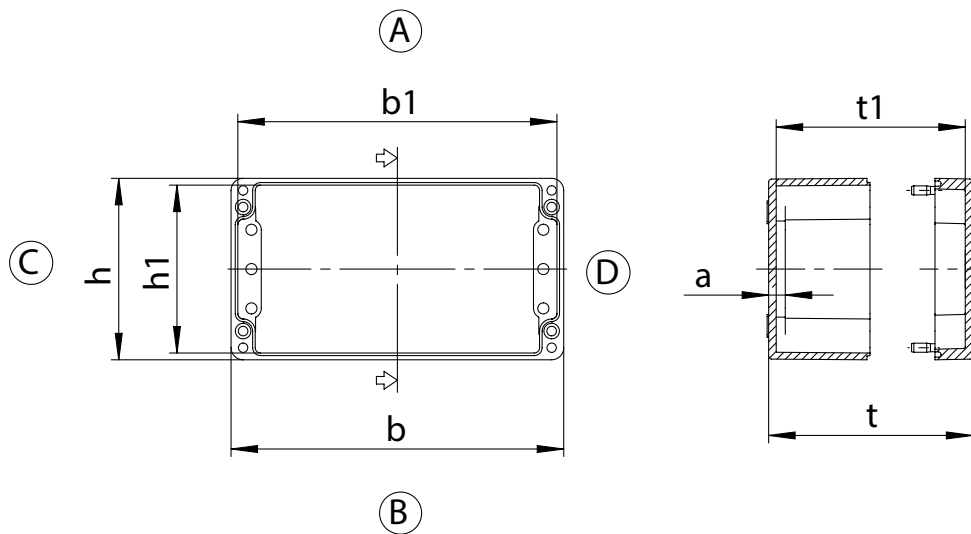
M	Side		PG	Side	
	A/B	C/D		A/B	C/D
12	108	50	7	108	50
16	52	24	9	64	32
20	36	18	11	48	22
25	30	10	13,5	36	18
32	12	7	16	30	17
40	6	3	21	18	9
50	4	3	29	12	6
63	4	2	36	6	3
75			42	4	2
85			48	4	2

Tragschiene	TS 35
Länge (mm)	581
max. Bestückungslänge (mm)	542

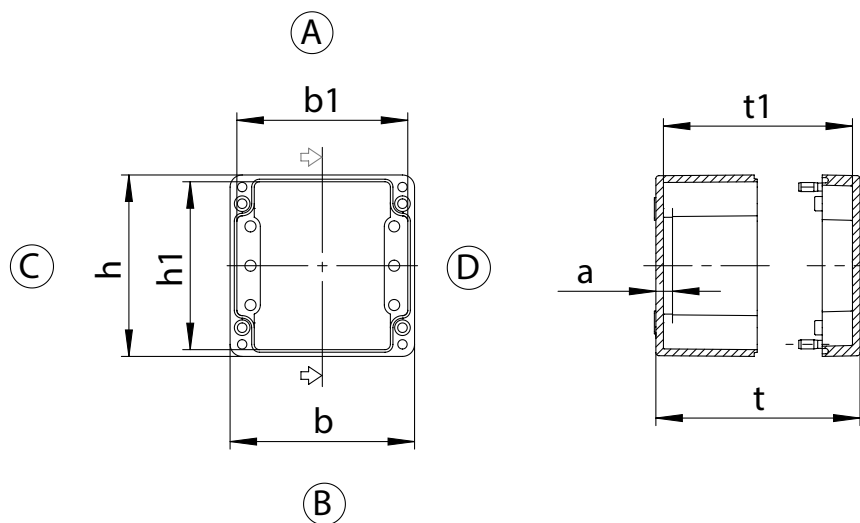
Polyester Ex for mining industry

Technical details

Order no.	b	h	t	b1	h1	t1	a
48.08 11 06	110	75	56,5	101	65	46	10,5
48.08 16 06	160	75	56,5	151	65	46	10,5
48.08 19 06	190	75	56,5	181	65	46	10,5
48.12 22 09	220	120	91	211	111	80	11
48.16 26 09	260	160	91	248	148	79	11,5
48.16 36 09	360	160	91	348	148	79	11,5
48.25 26 12	255	250	121	243	238	109	11,5
48.25 40 12	400	250	121	388	238	109	11,5
48.25 60 12	600	250	121	588	238	109	11,5



Order no.	b	h	t	b1	h1	t1	a
48.12 12 09	122	120	91	113	111	80	11
48.16 16 09	160	160	91	148	148	79	11,5



Detail drawings see www.rose-pw.de



- + Enclosure systems of diecast aluminium usable in all Ex-areas
- + Empty enclosures for individual fittings or Ex e / Ex ia junction box
- + Optional version with window
- + Temperature classes T6 / T5 / T4

Included in delivery

Empty enclosure: Enclosure with silicone seal and external earth connection.
 Junction box: Enclosure system - depending on version either with silicone seal, external earthing, DIN rails, internal earthing connection, terminals, manufacturing, cable glands

Technical datas

Explosion protection	II 2G Ex e IIC T6/T5/T4 Gb II 2G Ex ia IIC T6/T5/T4 Gb II 2G Ex d e ia [ia] mb IIC T6/T5/T4 Gb II 3G Ex e d mb ia [ia] nA nC [op is] IIC T6, T5, T4 Gc II 2D Ex tb IIIC T85°C/T100°C/T135°C Db IP66
Material	DIN EN 1706 EN AC-AISI 12 (Fe)
Colour	Powder coating, RAL 7001, silver grey
Ingress protection	IP 66 to EN 60529
Impact resistance	7 Joule to EN 60079-0
Temperature range	Ex B: -55°C to +135°C other seals/executions see Ex approval Ex e / ia: -20°C to +40°C (acc. T6 = 80°C max. on surface temperature) -20°C to +55°C (acc. T5 = 95°C max. on surface temperature) -20°C to +90°C (acc. T4 = 130°C max. on surface temperature) to -55°C with special marking on request
Other versions on request	EMC, SBG, SBGL, SWB

Aluminium Ex

Product overview

Ex e		Ex empty		Ex ia		Dimensions H x W x D (mm)	Weight (g)
Order no.	Product type	Order no.	Product type	Order no.	Product type		
05.06 06 03	AExe 05010	25.06 06 03	AExB 25010	15.06 06 03	AExi 15010	64 x 58 x 34	160
05.06 10 03	AExe 05015	25.06 10 03	AExB 25015	15.06 10 03	AExi 15015	64 x 98 x 34	220
05.06 15 03	AExe 05020	25.06 15 03	AExB 25020	15.06 15 03	AExi 15020	64 x 150 x 34	360
05.08 08 06	AExe 05025	25.08 08 06	AExB 25025	15.08 08 06	AExi 15025	80 x 75 x 57	300
05.08 13 06	AExe 05030	25.08 13 06	AExB 25030	15.08 13 06	AExi 15030	80 x 125 x 57	375
05.08 18 06	AExe 05035	25.08 18 06	AExB 25035	15.08 18 06	AExi 15035	80 x 175 x 57	550
05.08 25 05	AExe 05040	25.08 25 05	AExB 25040	15.08 25 05	AExi 15040	80 x 250 x 52	730
05.10 10 08	AExe 05045	25.10 10 08	AExB 25045	15.10 10 08	AExi 15045	100 x 100 x 81	620
05.10 16 08	AExe 05050	25.10 16 08	AExB 25050	15.10 16 08	AExi 15050	100 x 160 x 81	820
05.10 20 08	AExe 05055	25.10 20 08	AExB 25055	15.10 20 08	AExi 15055	100 x 200 x 81	970
05.12 12 08	AExe 05060	25.12 12 08	AExe 05010	15.12 12 08	AExi 15060	120 x 122 x 81	940
05.12 12 09	AExe 05065	25.12 12 09	AExe 05015	15.12 12 09	AExi 15065	120 x 122 x 91	960
05.12 22 08	AExe 05070	25.12 22 08	AExe 05020	15.12 22 08	AExi 15070	120 x 220 x 81	1410
05.12 22 09	AExe 05075	25.12 22 09	AExe 05025	15.12 22 09	AExi 15075	120 x 220 x 91	1430
05.12 36 08	AExe 05080	25.12 36 08	AExe 05030	15.12 36 08	AExi 15080	120 x 360 x 81	1970
05.14 14 09	AExe 05085	25.14 14 09	AExe 05035	15.14 14 09	AExi 15085	140 x 140 x 91	1520
05.14 20 09	AExe 05090	25.14 20 09	AExe 05040	15.14 20 09	AExi 15090	140 x 200 x 91	2270
05.16 16 09	AExe 05095	25.16 16 09	AExe 05045	15.16 16 09	AExi 15095	160 x 160 x 91	1500
05.16 26 09	AExe 05100	25.16 26 09	AExe 05050	15.16 26 09	AExi 15100	160 x 260 x 91	2030
05.16 36 09	AExe 05105	25.16 36 09	AExe 05055	15.16 36 09	AExi 15105	160 x 360 x 91	2540
05.16 56 09	AExe 05110	25.16 56 09	AExe 05060	15.16 56 09	AExi 15110	160 x 560 x 91	3760
05.18 18 10	AExe 05115	25.18 18 10	AExe 05065	15.18 18 10	AExi 15115	180 x 180 x 101	2270
05.18 28 10	AExe 05120	25.18 28 10	AExe 05070	15.23 10 11	AExi 15120	180 x 280 x 101	2920
05.23 10 11	AExe 05125	25.23 10 11	AExe 05075	15.18 28 10	AExi 15125	230 x 100 x 111	1800
05.23 20 11	AExe 05130	25.23 20 11	AExe 05080	15.23 20 11	AExi 15130	232 x 202 x 111	2440
05.23 20 18	AExe 05135	25.23 20 18	AExe 05085	15.23 20 18	AExi 15135	232 x 202 x 181	3980
05.23 28 11	AExe 05140	25.23 28 11	AExe 05090	15.23 28 11	AExi 15140	230 x 280 x 111	2990
05.23 33 11	AExe 05145	25.23 33 11	AExe 05095	15.23 33 11	AExi 15145	230 x 330 x 111	3390
05.23 33 18	AExe 05150	25.23 33 18	AExe 05100	15.23 33 18	AExi 15150	230 x 330 x 181	5260
05.23 40 11	AExe 05155	25.23 40 11	AExe 05105	15.23 40 11	AExi 15155	230 x 400 x 111	3840
05.23 40 23	AExe 05160	25.23 40 23	AExe 05110	15.23 40 23	AExi 15160	230 x 400 x 225	6840
05.23 60 11	AExe 05165	25.23 60 11	AExe 05115	15.23 60 11	AExi 15165	230 x 600 x 111	6950
05.31 40 11	AExe 05170	25.31 40 11	AExe 05120	15.31 40 11	AExi 15170	313 x 404 x 111	5300
05.31 40 14	AExe 05175	25.31 40 14	AExe 05125	15.31 40 14	AExi 15175	312 x 403 x 141	6720
05.31 40 18	AExe 05180	25.31 40 18	AExe 05130	15.31 40 18	AExi 15180	313 x 404 x 181	8480
05.31 40 23	AExe 05185	25.31 40 23	AExe 05135	15.31 40 23	AExi 15185	313 x 404 x 227	8680
05.31 60 11	AExe 05190	25.31 60 11	AExe 05140	15.31 60 11	AExi 15190	310 x 600 x 111	8660
05.31 60 18	AExe 05195	25.31 60 18	AExe 05145	15.31 60 18	AExi 15195	310 x 600 x 181	11100
05.60 60 20	AExe 05200	25.60 60 20	AExe 05150	15.60 60 20	AExi 15200	600 x 600 x 202	25960

Terminal mounting

Make	Phoenix Contact												Bartec										
	TS 35	TS 35	TS 35	TS 35	TS 35	TS 35	TS 35	TS 35	TS 35	TS 35	TS 35	TS 35	TS 35										
DIN rail																							
Nominal cross section (mm²)	2,5	4	2,5	4	6	10	16	35	50	95	150	240											
Voltage (V)	352	352	690	690	690	690	690	690	690	880	1100	1100											
Terminal width (mm)	5,2	6,2	5,2	6,2	8,2	10,2	12,2	16,2	20	25	31	36											
Terminal type																							
Enclosure type	MUT 2,5	MUT 4	UT 2,5	UT 4	UT 6	UT 10	UT 16	UT 35	UKH 50	UKH 95	UKH 150	UKH 240	Ex Mimi terminals	Ex Mimi terminals blue	PE bar 1,5 to 6 mm²	Sheath clamp (2 x 4 mm², 3 x 2,5 mm² each clamp)	Sheath clamp (2 x 4 mm² each clamp)	Sheath clamp (2 x 6 mm², 3 x 4 mm², 4 x 2,5 mm² each clamp)	PE terminal 2,5 mm²	External PE connection up to 4 mm²	External PE connection up to 10 mm²	External PE connection up to 16 to 120 mm²	External PE connection up to 2,5 mm²
XX.06 06 03													3	3								1	
XX.06 10 03													6	6								1	
XX.06 15 03													10	10								1	
XX.08 08 06	8	7														2					1		
XX.08 13 06	16	13														4					1		
XX.08 18 06	26	21														4					1		
XX.08 25 05	40	33														4					1		
XX.10 10 08	11	9	11	9	7												2				1		
XX.10 16 08	23	19	23	19	14												2				1		
XX.10 20 08	30	25	30	25	19												2				1		
XX.12 12 08	12	10	12	10	7	6	5											2				1	
XX.12 12 09	12	10	12	10	7	6	5											2				1	
XX.12 22 08	31	26	31	26	20	16	13											4				1	
XX.12 22 09	31	26	31	26	20	16	13											4				1	
XX.12 36 08	58	49	58	49	37	29	25											4				1	
XX.14 14 09	16	13	16	13	10	8	7								8							1	
XX.14 20 09	26	22	26	22	17	13	11								16							1	
XX.16 16 09	20	16	20	16	12	10	8	6							10							1	
XX.16 26 09	39	33	39	33	25	20	16	12							22							1	
XX.16 36 09	58	49	58	49	37	29	25	18							32							1	
XX.16 56 09	97	81	97	81	61	49	41	31							52							1	
XX.18 18 10	24	20	24	20	15	12	10	8							12							1	
XX.18 28 10	42	35	42	35	27	21	18	13							24	2						1	
XX.23 10 11	33	28	33	28	17	21	18	13							24	2				1			
XX.23 20 11	54	46	54	46	34	14	10	9							16							1	
XX.23 20 18	54	46	54	46	34	14	11	9	8						16							1	
XX.23 28 11	86	72	86	72	54	44	18	13							24							1	
XX.23 33 11	104	88	104	88	66	52	22	16							28							1	
XX.23 33 18	104	88	104	88	66	52	22	16	14						28							1	
XX.23 40 11	130	110	130	110	82	66	28	21							38							1	
XX.23 40 23	130	110	130	110	82	66	28	21	18						38							1	
XX.23 60 11	206	174	206	174	132	53	44	33							58							1	
XX.31 40 11	195	165	195	165	123	66	28	21							38							1	
XX.31 40 14	195	165	195	165	123	66	28	21	18	14					38							1	
XX.31 40 23	195	165	195	165	123	66	28	21	18	14					38							1	
XX.31 40 23	195	165	195	165	123	66	28	21	18	14					38							1	
XX.31 60 11	309	261	309	261	132	106	88	33							58							1	
XX.31 60 18	309	261	309	261	132	106	88	33	28	22					58							1	
XX.60 60 20	412	348	412	348	198	159	132	66	56	22	18	15			56							1	

Other supplier on request

Aluminium Ex

Accessories

Order no.	DIN rails	External mounting brackets	Mounting plate
XX.06 06 03			
XX.06 10 03	•		
XX.06 15 03	•		
XX.08 08 06	•	•	•
XX.08 13 06	•	•	•
XX.08 18 06	•	•	•
XX.08 25 05	•	•	
XX.10 10 08	•	•	•
XX.10 16 08	•	•	•
XX.10 20 08	•	•	•
XX.12 12 08	•	•	•
XX.12 12 09	•	•	•
XX.12 22 08	•	•	•
XX.12 22 09	•	•	•
XX.12 36 08	•	•	•
XX.14 14 09	•	•	•
XX.14 20 09	•	•	•
XX.16 16 09	•	•	•
XX.16 26 09	•	•	•
XX.16 36 09	•	•	•
XX.16 56 09	•	•	•
XX.18 18 10	•	•	•
XX.18 28 10	•	•	•
XX.23 10 11	•	•	•
XX.23 20 11	•	•	•
XX.23 20 18	•	•	•
XX.23 28 11	•	•	•
XX.23 33 11	•	•	•
XX.23 33 18	•	•	•
XX.23 40 11	•	•	•
XX.23 40 23	•	•	•
XX.23 60 11	•	•	•
XX.31 40 11	•	•	•
XX.31 40 14	•	•	•
XX.31 40 18	•	•	•
XX.31 40 23	•	•	•
XX.31 60 11	•	•	•
XX.31 60 18	•	•	•
XX.60 60 20	•		•

Aluminium Ex

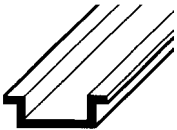
Accessories

Allen lid screws



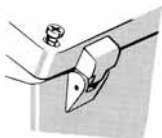
Order no.	Version
12.01 80 02	for XX.06 06 03 up to XX.10 20 08
12.01 80 04	for XX.12 12 08 up to XX.31 40 23

DIN rails



Order no.	Version
10.06 10 07	TS 15 for XX.06 10 03
10.06 10 02	TS 15 for XX.06 15 03
10.06 10 03	TS 15 for XX.08 08 06
10.06 10 04	TS 15 for XX.08 13 06
10.06 10 05	TS 15 for XX.08 18 06
10.06 10 06	TS 15 for XX.08 25 05
10.06 10 08	TS 15 for XX.10 16 08
10.06 10 09	TS 15 for XX.10 20 08
10.06 14 21	TS 35/7.5 for XX.12 12 08, XX.12 12 09
10.06 14 22	TS 35/7.5 for XX.12 22 08, XX.12 22 09, XX.12 22 12
10.06 14 25	TS 35/7.5 for XX.12 36 08
10.06 14 54	TS 35/7.5 for XX.14 14 09
10.06 14 55	TS 35/7.5 for XX.14 20 09
10.06 14 23	TS 35/7.5 for XX.16 16 09
10.06 14 24	TS 35/7.5 for XX.16 26 09, XX.16 26 16
10.06 14 26	TS 35/7.5 for XX.16 56 09
10.06 14 56	TS 35/7.5 for XX.18 18 10
10.06 14 57	TS 35/7.5 for XX.18 28 10
10.06 14 29	TS 35/7.5 for XX.23 10 11
10.06 14 30	TS 35/7.5 for XX.23 20 11, XX.23 20 18
10.06 14 31	TS 35/7.5 for XX.23 28 11
10.06 14 32	TS 35/7.5 for XX.23 33 11, XX.23 33 18
10.06 14 27	TS 35/7.5 for XX.23 40 11, XX.23 40 23, XX.31 40 11, XX.31 40 14, XX.31 40 18, XX.31 40 23
10.06 14 28	TS 35/7.5 for XX.23 60 11, XX.31 60 11, XX.31 60 18
10.06 14 33	TS 35/7.5 for XX.60 60 20

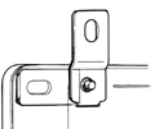
External hinges



Swivelling range 150°,
set = 2 pcs

Order no.
10.02 70 01

External mounting brackets



set = 4 pcs

Order no.	Version
10.03 11 01	for XX.08 08 06 - XX.10 20 08
10.03 11 02	for XX.12 12 08 - XX.31 60 18, XX.14 01 00 - XX.14 03 00

Aluminium Ex

Accessories

Internal hinges



swivelling range 95°,
set = 2 pcs

Order no.

10.02 20 01

Lead-sealing screw



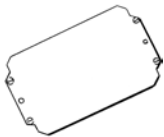
Order no.

12.01 90 01

Version

for XX.05 05 03 - XX.10 20 08

Mounting plate



Order no.

10.01 10 01

Version

for XX.08 08 06

10.01 10 03

for XX.08 13 06

10.01 10 05

for XX.08 18 06

10.01 10 24

for XX.10 10 08

10.01 10 25

for XX.10 16 08

10.01 10 26

for XX.10 20 08

10.01 10 07

for XX.12 12 08, XX.12 12 09

10.01 10 08

for XX.12 22 08, XX.12 22 09

10.01 10 09

for XX.12 36 08

10.01 10 27

for XX.14 14 09

10.01 10 28

for XX.14 20 09

10.01 10 10

for XX.16 16 09

10.01 10 11

for XX.16 26 09

10.01 10 12

for XX.16 36 09

10.01 10 13

for XX.16 56 09

10.01 10 29

for XX.18 18 10

10.01 10 30

for XX.18 28 10

10.01 10 14

for XX.23 10 11

10.01 10 15

for XX.23 20 11, XX.23 20 18

10.01 10 16

for XX.23 28 11

10.01 10 17

for XX.23 33 11, XX.23 33 18

10.01 10 18

for XX.23 40 11, XX.23 40 23

10.01 10 19

for XX.23 60 11

10.01 10 20

for XX.31 40 11, XX.31 40 14, XX.31 40 18, XX.31 40 23

10.01 10 21

for XX.31 60 11, XX.31 60 18

10.01 10 22

for XX.60 60 20

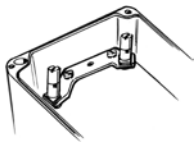
Accessories

PE bar



Order no.	Version
12.05 42 16	for XX.14 14 09
12.05 42 17	for XX.14 20 09, XX.23 20 11, XX.23 20 18
12.05 42 18	for XX.16 16 09
12.05 42 19	for XX.16 26 09
12.05 42 20	for XX.16 36 09
12.05 42 21	for XX.16 56 09
12.05 42 22	for XX.18 18 10
12.05 42 23	for XX.18 28 10, XX.23 28 11
12.05 42 24	for XX.23 10 11
12.05 42 28	for XX.23 33 11, XX.23 33 18
12.05 42 30	for XX.23 40 11, XX.23 40 23, XX.31 40 11, XX.31 40 14, XX.31 40 18, XX.31 40 23
12.05 42 32	for XX.23 60 11, XX.31 60 11, XX.31 60 18

PE busbar



Order no.	Version
12.05 30 01	for XX.08 08 06 up to XX.08 18 06
12.05 30 02	for XX.12 12 08 up to XX.12 36 08

sealable screw



Order no.	Version
12.01 90 02	for XX.12 12 08 - XX.31 60 18

Aluminium Ex

Technical details



Order no.	Product type	Dimensions H x W x D (mm)
05.06 06 03	AExe 05010	64 x 58 x 34
15.06 06 03	AExi 15010	64 x 58 x 34
25.06 06 03	AExB 25010	64 x 58 x 34

		1,5	2,5	4	6	10	16	25	35	50	70	95
	**	3	3									
	N											
 x A	6											
	10	18										
	16	6	12									
	20	2	7									
	25		3									
	35											
	50											
	63											
	80											
	100											
	125											
	160											
	200											
	225											
	250											
	315											
	400											
500												

Maximum number of cable glands to DIN 50262

M	Side		PG	Side	
	A/B	C/D		A/B	C/D
12	2	1	7	2	1
16			9	1	1
20			11		
25			13,5		
32			16		
40			21		
50			29		
63			36		
75			42		
85			48		



Order no.	Product type	Dimensions H x W x D (mm)
05.06 10 03	AExe 05015	64 x 98 x 34
15.06 10 03	AExi 15015	64 x 98 x 34
25.06 10 03	AExB 25015	64 x 98 x 34

		1,5	2,5	4	6	10	16	25	35	50	70	95
	**	6	6									
	N	1	1									
 x A	6											
	10	20										
	16	7	13									
	20	2	7									
	25		3									
	35											
	50											
	63											
	80											
	100											
	125											
	160											
	200											
	225											
	250											
	315											
	400											
500												

Maximum number of cable glands to DIN 50262

M	Side		PG	Side	
	A/B	C/D		A/B	C/D
12	4	1	7	4	1
16			9	3	1
20			11		
25			13,5		
32			16		
40			21		
50			29		
63			36		
75			42		
85			48		

DIN rail	TS 15
Length (mm)	87,5
External earth (mm ²)	2,5

Technical details



Order no.	Product type	Dimensions H x W x D (mm)
05.06 15 03	AExe 05020	64 x 150 x 34
15.06 15 03	AExi 15020	64 x 150 x 34
25.06 15 03	AExB 25020	64 x 150 x 34

Maximum number of cable glands to DIN 50262



M	Side		PG	Side	
	A/B	C/D		A/B	C/D
12	8	1	7	8	1
16			9	6	1
20			11		
25			13,5		
32			16		
40			21		
50			29		
63			36		
75			42		
85			48		

DIN rail	TS 15
Length (mm)	139
External earth (mm ²)	2,5

		1,5	2,5	4	6	10	16	25	35	50	70	95
	**	10	10									
	N	1	1									
	6											
	10											
	16	7	13									
	20	3	8									
	25		3									
	35											
	50											
	63											
	80											
	100											
	125											
	160											
	200											
	225											
	250											
315												
400												
500												



Order no.	Product type	Dimensions H x W x D (mm)
05.08 08 06	AExe 05025	80 x 75 x 57
15.08 08 06	AExi 15025	80 x 75 x 57
25.08 08 06	AExB 25025	80 x 75 x 57

Maximum number of cable glands to DIN 50262



M	Side		PG	Side	
	A/B	C/D		A/B	C/D
12	3	5	7	2	5
16	1	2	9	1	2
20	1	2	11	1	2
25	1	1	13,5	1	2
32			16	1	1
40			21		
50			29		
63			36		
75			42		
85			48		

DIN rail	TS 15
Length (mm)	63
max. fitting length (mm)	46
External earth (mm ²)	4

		1,5	2,5	4	6	10	16	25	35	50	70	95
	**	6	6	5								
	N	1	1	1								
	6											
	10	27										
	16	9	18	70								
	20	3	10	20								
	25		5	11								
	35			3								
	50											
	63											
	80											
	100											
	125											
	160											
	200											
	225											
	250											
315												
400												
500												

Aluminium Ex

Technical details



Order no.	Product type	Dimensions H x W x D (mm)
05.08 13 06	AExe 05030	80 x 125 x 57
15.08 13 06	AExi 15030	80 x 125 x 57
25.08 13 06	AExB 25030	80 x 125 x 57

Ø	1,5	2,5	4	6	10	16	25	35	50	70	95
	12	12	9								
	1	1	1								
 x A	6										
	10	29									
	16	10	19	76							
	20	4	11	22							
	25		5	12							
	35			3							
	50										
	63										
	80										
	100										
	125										
	160										
	200										
	225										
	250										
	315										
	400										
500											

Maximum number of cable glands to DIN 50262

M	Side		PG	Side	
	A/B	C/D		A/B	C/D
12	9	5	7	8	5
16	4	2	9	6	2
20	3	2	11	3	2
25	2	1	13,5	3	2
32			16	2	1
40			21		
50			29		
63			36		
75			42		
85			48		

DIN rail	TS 15
Length (mm)	113
max. fitting length (mm)	85,5
External earth (mm ²)	4



Order no.	Product type	Dimensions H x W x D (mm)
05.08 18 06	AExe 05035	80 x 175 x 57
15.08 18 06	AExi 15035	80 x 175 x 57
25.08 18 06	AExB 25035	80 x 175 x 57

Ø	1,5	2,5	4	6	10	16	25	35	50	70	95
	25	25	21								
	1	1	1								
 x A	6										
	10	29									
	16	10	19	77							
	20	4	11	22							
	25		5	12							
	35			3							
	50										
	63										
	80										
	100										
	125										
	160										
	200										
	225										
	250										
	315										
	400										
500											

Maximum number of cable glands to DIN 50262

M	Side		PG	Side	
	A/B	C/D		A/B	C/D
12	14	5	7	14	5
16	6	2	9	9	2
20	5	2	11	6	2
25	3	1	13,5	5	2
32			16	4	1
40			21	3	
50			29		
63			36		
75			42		
85			48		

DIN rail	TS 15
Length (mm)	163
max. fitting length (mm)	135,5
External earth (mm ²)	4

Technical details



Order no.	Product type	Dimensions H x W x D (mm)
05.08 25 05	AExe 05040	80 x 250 x 52
15.08 25 05	AExi 15040	80 x 250 x 52
25.08 25 05	AExB 25040	80 x 250 x 52

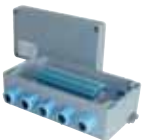
Maximum number of cable glands to DIN 50262



M	Side		PG	Side	
	A/B	C/D		A/B	C/D
12	23	6	7	22	6
16	9	2	9	15	3
20	8	2	11	9	2
25	5	1	13,5	8	2
32			16	6	1
40			21	5	1
50			29		
63			36		
75			42		
85			48		

DIN rail	TS 15
Length (mm)	238
max. fitting length (mm)	209,5
External earth (mm ²)	4

		1,5	2,5	4	6	10	16	25	35	50	70	95
	**	40	40	33								
	N	1	1	1								
	6											
	10	28										
	16	9	19	73								
	20	4	11	21								
	25		5	12								
	35			3								
	50											
	63											
	80											
	100											
	125											
	160											
	200											
	225											
	250											
	315											
400												
500												



Order no.	Product type	Dimensions H x W x D (mm)
05.10 10 08	AExe 05045	100 x 100 x 81
15.10 10 08	AExi 15045	100 x 100 x 81
25.10 10 08	AExB 25045	100 x 100 x 81

Maximum number of cable glands to DIN 50262



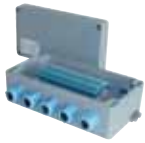
M	Side		PG	Side	
	A/B	C/D		A/B	C/D
12	12	9	7	12	9
16	6	4	9	8	5
20	5	3	11	5	4
25	2	1	13,5	5	3
32	1	1	16	4	2
40			21	2	1
50			29	1	1
63			36		
75			42		
85			48		

DIN rail	TS 15/35
Length (mm)	87,5
max. fitting length (mm)	59,5
External earth (mm ²)	6

		1,5	2,5	4	6	10	16	25	35	50	70	95
	**	14	11	9	7							
	N	1	1	1	1							
	6											
	10	37										
	16	12	24	95								
	20	5	14	27								
	25		6	15	30							
	35			4	11							
	50											
	63											
	80											
	100											
	125											
	160											
	200											
	225											
	250											
	315											
400												
500												

Aluminium Ex

Technical details



Order no.	Product type	Dimensions H x W x D (mm)
05.10 16 08	AExe 05050	100 x 160 x 81
15.10 16 08	AExi 15050	100 x 160 x 81
25.10 16 08	AExB 25050	100 x 160 x 81

		1,5	2,5	4	6	10	16	25	35	50	70	95
	**	28	23	19	14							
	N	1	1	1	1							
x A	6											
	10	39										
	16	13	26	101								
	20	5	15	29								
	25		7	16	32							
	35			4	12							
	50											
	63											
	80											
	100											
	125											
	160											
	200											
	225											
	250											
	315											
	400											
500												

Maximum number of cable glands to DIN 50262

M	Side		PG	Side	
	A/B	C/D		A/B	C/D
12	24	9	7	22	8
16	11	4	9	17	5
20	10	3	11	11	4
25	4	1	13,5	10	3
32	3	1	16	8	2
40			21	4	1
50			29	3	1
63			36		
75			42		
85			48		

DIN rail	TS 15/35
Length (mm)	148
max. fitting length (mm)	120
External earth (mm ²)	6



Order no.	Product type	Dimensions H x W x D (mm)
05.10 20 08	AExe 05055	100 x 200 x 81
15.10 20 08	AExi 15055	100 x 200 x 81
25.10 20 08	AExB 25055	100 x 200 x 81

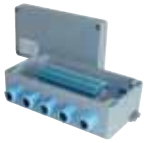
		1,5	2,5	4	6	10	16	25	35	50	70	95
	**	38	30	25	19							
	N	1	1	1	1							
x A	6											
	10	39										
	16	13	26	102								
	20	5	15	29								
	25		7	16	32							
	35			5	12							
	50											
	63											
	80											
	100											
	125											
	160											
	200											
	225											
	250											
	315											
	400											
500												

Maximum number of cable glands to DIN 50262

M	Side		PG	Side	
	A/B	C/D		A/B	C/D
12	32	9	7	30	9
16	14	4	9	21	5
20	12	3	11	12	4
25	5	1	13,5	12	3
32	3	1	16	10	2
40			21	5	1
50			29	3	1
63			36		
75			42		
85			48		

DIN rail	TS 15/35
Length (mm)	188
max. fitting length (mm)	160
External earth (mm ²)	6

Technical details



Order no.	Product type	Dimensions H x W x D (mm)
05.12 12 08	AExe 05060	120 x 122 x 81
15.12 12 08	AExi 15060	120 x 122 x 81
25.12 12 08	AExe 05010	120 x 122 x 81

Maximum number of cable glands to DIN 50262



M	Side		PG	Side	
	A/B	C/D		A/B	C/D
12	10	11	7	10	11
16	5	5	9	8	6
20	4	4	11	5	4
25	2	2	13,5	4	3
32	1	1	16	3	2
40			21	2	2
50			29	1	1
63			36		
75			42		
85			48		

DIN rail	TS 35
Length (mm)	107
max. fitting length (mm)	65
External earth (mm ²)	16

	1,5	2,5	4	6	10	16	25	35	50	70	95
	19	15	13	10	8	6					
II N	1	1	1	1	1	1					
x A	6										
	10	40									
	16	13	26	103							
	20	5	15	30							
	25		7	17	32						
	35			5	12	31					
	50					10	26				
	63					3	12				
	80						4				
	100										
	125										
	160										
	200										
	225										
	250										
	315										
400											
500											



Order no.	Product type	Dimensions H x W x D (mm)
05.12 12 09	AExe 05065	120 x 122 x 91
15.12 12 09	AExi 15065	120 x 122 x 91
25.12 12 09	AExe 05015	120 x 122 x 91

Maximum number of cable glands to DIN 50262



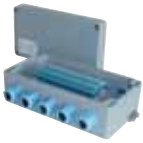
M	Side		PG	Side	
	A/B	C/D		A/B	C/D
12	10	11	7	10	11
16	5	5	9	8	6
20	4	4	11	5	4
25	2	2	13,5	4	3
32	1	1	16	3	2
40			21	2	2
50			29	1	1
63			36		
75			42		
85			48		

DIN rail	TS 35
Length (mm)	107
max. fitting length (mm)	65
External earth (mm ²)	16

	1,5	2,5	4	6	10	16	25	35	50	70	95
	19	15	13	10	8	6					
II N	1	1	1	1	1	1					
x A	6										
	10	43									
	16	14	28	110							
	20	6	16	32							
	25		7	18	35						
	35			5	13	34					
	50				2	11	28				
	63					3	13				
	80						5				
	100										
	125										
	160										
	200										
	225										
	250										
	315										
400											
500											

Aluminium Ex

Technical details



Order no.	Product type	Dimensions H x W x D (mm)
05.12 22 08	AExe 05070	120 x 220 x 81
15.12 22 08	AExi 15070	120 x 220 x 81
25.12 22 08	AExe 05020	120 x 220 x 81

		1,5	2,5	4	6	10	16	25	35	50	70	95
	**	42	34	29	21	17	14					
	N	1	1	1	1	1	1					
x 	A	6										
		10	42									
		16	14	28	111							
		20	6	16	32							
		25		8	18	35						
		35			5	13	34					
		50				2	11	28				
		63					3	13				
		80						5				
		100										
		125										
		160										
		200										
		225										
		250										
		315										
	400											
	500											

Maximum number of cable glands to DIN 50262



M	Side		PG	Side	
	A/B	C/D		A/B	C/D
12	30	11	7	30	11
16	12	6	9	20	6
20	12	4	11	12	4
25	5	2	13,5	12	4
32	3	1	16	10	2
40			21	5	2
50			29	3	1
63			36		
75			42		
85			48		

DIN rail	TS 35
Length (mm)	205
max. fitting length (mm)	164,5
External earth (mm ²)	16



Order no.	Product type	Dimensions H x W x D (mm)
05.12 22 09	AExe 05075	120 x 220 x 91
15.12 22 09	AExi 15075	120 x 220 x 91
25.12 22 09	AExe 05025	120 x 220 x 91

		1,5	2,5	4	6	10	16	25	35	50	70	95
	**	42	34	29	21	17	14					
	N	1	1	1	1	1	1					
x 	A	6										
		10	45									
		16	15	30	118							
		20	6	17	34							
		25		8	19	37						
		35			5	14	36					
		50				2	11	30				
		63					4	14				
		80						5				
		100										
		125										
		160										
		200										
		225										
		250										
		315										
	400											
	500											

Maximum number of cable glands to DIN 50262



M	Side		PG	Side	
	A/B	C/D		A/B	C/D
12	34	11	7	34	11
16	15	6	9	24	6
20	14	4	11	15	4
25	6	2	13,5	14	4
32	4	1	16	11	2
40			21	6	2
50			29	4	1
63			36		
75			42		
85			48		

DIN rail	TS 35
Length (mm)	205
max. fitting length (mm)	164,5
External earth (mm ²)	16

Technical details



Order no.	Product type	Dimensions H x W x D (mm)
05.12 36 08	AExe 05080	120 x 360 x 81
15.12 36 08	AExi 15080	120 x 360 x 81
25.12 36 08	AExe 05030	120 x 360 x 81

Maximum number of cable glands to DIN 50262



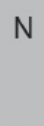
M	Side		PG	Side	
	A/B	C/D		A/B	C/D
12	58	11	7	58	11
16	26	5	9	41	6
20	24	4	11	26	4
25	10	2	13,5	24	3
32	7	1	16	20	2
40			21	10	2
50			29	7	1
63			36		
75			42		
85			48		

DIN rail	TS 35
Length (mm)	343
max. fitting length (mm)	305
External earth (mm ²)	16

		1,5	2,5	4	6	10	16	25	35	50	70	95
	**	76	61	51	39	31	26					
	N	1	1	1	1	1	1					
	6											
	10	43										
	16	14	28	112								
	20	6	16	32								
	25		8	18	35							
	35			5	13	34						
	50				2	11	28					
	63					3	13					
	80						5					
	100											
	125											
	160											
	200											
	225											
	250											
	315											
400												
500												



A



N



Order no.	Product type	Dimensions H x W x D (mm)
05.14 14 09	AExe 05085	140 x 140 x 91
15.14 14 09	AExi 15085	140 x 140 x 91
25.14 14 09	AExe 05035	140 x 140 x 91

Maximum number of cable glands to DIN 50262



M	Side		PG	Side	
	A/B	C/D		A/B	C/D
12	18	12	7	18	12
16	8	6	9	12	6
20	8	4	11	8	5
25	3	2	13,5	8	4
32	2	1	16	6	3
40			21	3	2
50			29	2	1
63			36		
75			42		
85			48		

DIN rail	TS 35
Length (mm)	126
max. fitting length (mm)	86
External earth (mm ²)	25

		1,5	2,5	4	6	10	16	25	35	50	70	95
	**	23	19	16	12	9	8	6				
	N	1	1	1	1	1	1	1				
	6											
	10	45										
	16	15	30	117								
	20	6	17	34								
	25		8	19	37							
	35			5	14	36						
	50				2	11	30					
	63					4	14	49				
	80						5	15				
	100							6				
	125											
	160											
	200											
	225											
	250											
	315											
400												
500												



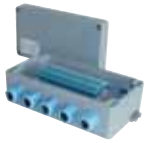
A



N

Aluminium Ex

Technical details



Order no.	Product type	Dimensions H x W x D (mm)
05.14 20 09	AExe 05090	140 x 200 x 91
15.14 20 09	AExi 15090	140 x 200 x 91
25.14 20 09	AExe 05040	140 x 200 x 91

		1,5	2,5	4	6	10	16	25	35	50	70	95
	**	38	30	25	19	15	13	10				
	N	1	1	1	1	1	1	1				
x A	6											
	10	48										
	16	16	32	125								
	20	6	18	36								
	25		9	20	39							
	35			6	15	38						
	50				2	12	31					
	63					4	14	52				
	80						5	16				
	100							7				
	125											
	160											
	200											
	225											
	250											
	315											
	400											
500												

Maximum number of cable glands to DIN 50262



M	Side		PG	Side	
	A/B	C/D		A/B	C/D
12	28	12	7	28	12
16	12	6	9	20	6
20	12	4	11	12	6
25	5	2	13,5	12	4
32	3	1	16	10	3
40			21	5	2
50			29	3	1
63			36		
75			42		
85			48		

DIN rail	TS 35
Length (mm)	186
max. fitting length (mm)	140
External earth (mm ²)	25



Order no.	Product type	Dimensions H x W x D (mm)
05.16 16 09	AExe 05095	160 x 160 x 91
15.16 16 09	AExi 15095	160 x 160 x 91
25.16 16 09	AExe 05045	160 x 160 x 91

		1,5	2,5	4	6	10	16	25	35	50	70	95
	**	28	23	19	14	11	9	7	7			
	N	1	1	1	1	1	1	1	1			
x A	6											
	10	48										
	16	16	32	125								
	20	6	18	36								
	25		9	20	39							
	35			6	15	38						
	50				2	12	31					
	63					4	14	52				
	80						5	16	58			
	100							7	15			
	125								6			
	160											
	200											
	225											
	250											
	315											
	400											
500												

Maximum number of cable glands to DIN 50262



M	Side		PG	Side	
	A/B	C/D		A/B	C/D
12	26	16	7	26	16
16	12	8	9	15	11
20	9	6	11	12	6
25	5	3	13,5	9	6
32	3	2	16	8	5
40	2	1	21	5	3
50	2		29	2	2
63			36	2	1
75			42	1	
85			48		

DIN rail	TS 35
Length (mm)	144
max. fitting length (mm)	105
External earth (mm ²)	16

Technical details



Order no.	Product type	Dimensions H x W x D (mm)
05.16 26 09	AExe 05100	160 x 260 x 91
15.16 26 09	AExi 15100	160 x 260 x 91
25.16 26 09	AExe 05050	160 x 260 x 91

Maximum number of cable glands to DIN 50262



M	Side		PG	Side	
	A/B	C/D		A/B	C/D
12	50	16	7	50	16
16	24	8	9	30	11
20	17	6	11	23	6
25	10	3	13,5	17	6
32	5	2	16	14	5
40	3	1	21	9	3
50	3		29	5	2
63			36	3	1
75			42	3	
85			48		

DIN rail	TS 35
Length (mm)	245
max. fitting length (mm)	205
External earth (mm ²)	16

		1,5	2,5	4	6	10	16	25	35	50	70	95
	**	52	42	35	26	21	18	14	14			
	N	1	1	1	1	1	1	1	1			
x 	6											
	10	52										
	16	18	34	135								
	20	7	20	39								
	25		9	22	42							
	35			6	16	41						
	50				2	13	34					
	63					4	16	56				
	80						6	17	63			
	100							7	16			
	125								6			
	160											
	200											
	225											
	250											
315												
400												
500												



Order no.	Product type	Dimensions H x W x D (mm)
05.16 36 09	AExe 05105	160 x 360 x 91
15.16 36 09	AExi 15105	160 x 360 x 91
25.16 36 09	AExe 05055	160 x 360 x 91

Maximum number of cable glands to DIN 50262



M	Side		PG	Side	
	A/B	C/D		A/B	C/D
12	72	16	7	72	16
16	36	8	9	42	11
20	24	6	11	33	6
25	15	3	13,5	24	6
32	7	2	16	20	5
40	5	1	21	14	3
50	4		29	7	2
63			36	5	1
75			42	4	
85			48		

DIN rail	TS 35
Length (mm)	343
max. fitting length (mm)	305
External earth (mm ²)	16

		1,5	2,5	4	6	10	16	25	35	50	70	95
	**	76	61	51	39	31	26	21	21			
	N	1	1	1	1	1	1	1	1			
x 	6											
	10	53										
	16	18	35	138								
	20	7	20	40								
	25		9	22	43							
	35			6	17	42						
	50				2	13	35					
	63					4	16	58				
	80						6	18	64			
	100							7	17			
	125								6			
	160											
	200											
	225											
	250											
315												
400												
500												

Aluminium Ex

Technical details



Order no.	Product type	Dimensions H x W x D (mm)
05.16 56 09	AExe 05110	160 x 560 x 91
15.16 56 09	AExi 15110	160 x 560 x 91
25.16 56 09	AExe 05060	160 x 560 x 91

		1,5	2,5	4	6	10	16	25	35	50	70	95
		123	100	83	63	50	42	34	34			
	**											
	N	1	1	1	1	1	1	1	1			
 x A	6											
	10	53										
	16	18	35	138								
	20	7	20	40								
	25		9	22	43							
	35			6	17	42						
	50				2	13	35					
	63					4	16	58				
	80						6	18	64			
	100							7	17			
	125								6			
	160											
	200											
	225											
	250											
	315											
400												
500												

Maximum number of cable glands to DIN 50262

M	Side		PG	Side	
	A/B	C/D		A/B	C/D
12	104	16	7	104	16
16	58	8	9	66	11
20	40	6	11	58	6
25	24	3	13,5	40	6
32	12	2	16	32	5
40	8	1	21	24	3
50	6		29	12	2
63			36	8	1
75			42	6	
85			48		

DIN rail	TS 35
Length (mm)	543
max. fitting length (mm)	505
External earth (mm ²)	16



Order no.	Product type	Dimensions H x W x D (mm)
05.18 18 10	AExe 05115	180 x 180 x 101
15.18 18 10	AExi 15115	180 x 180 x 101
25.18 18 10	AExe 05065	180 x 180 x 101

		1,5	2,5	4	6	10	16	25	35	50	70	95
		33	26	22	17	13	11	9	9			
	**											
	N	1	1	1	1	1	1	1	1			
 x A	6											
	10	54										
	16	18	36	139								
	20	7	21	40								
	25		10	23	44							
	35			6	17	43						
	50				2	14	35					
	63					4	16	58				
	80						6	18	65			
	100							7	17			
	125								7			
	160											
	200											
	225											
	250											
	315											
400												
500												

Maximum number of cable glands to DIN 50262

M	Side		PG	Side	
	A/B	C/D		A/B	C/D
12	30	20	7	28	20
16	15	9	9	18	14
20	11	8	11	15	8
25	6	3	13,5	11	8
32	3	2	16	8	6
40	2	2	21	6	3
50	2		29	3	2
63			36	2	2
75			42	2	
85			48		

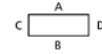
DIN rail	TS 35
Length (mm)	166
max. fitting length (mm)	126
External earth (mm ²)	16

Technical details



Order no.	Product type	Dimensions H x W x D (mm)
05.18 28 10	AExe 05120	180 x 280 x 101
15.18 28 10	AExi 15125	230 x 100 x 111
25.18 28 10	AExe 05070	180 x 280 x 101

Maximum number of cable glands to DIN 50262



M	Side		PG	Side	
	A/B	C/D		A/B	C/D
12	52	22	7	52	22
16	26	10	9	33	15
20	18	8	11	23	10
25	11	4	13,5	18	8
32	5	2	16	14	7
40	4	2	21	10	4
50	3		29	5	2
63			36	4	2
75			42	3	
85			48		

DIN rail	TS 35
Length (mm)	264
max. fitting length (mm)	221.5
External earth (mm ²)	16

	1,5	2,5	4	6	10	16	25	35	50	70	95
	**	57	46	38	29	23	19	15	15		
	1	1	1	1	1	1	1	1			
x A	6										
	10	58									
	16	20	38	150							
	20	8	22	43							
	25		10	24	47						
	35			7	18	46					
	50				2	15	38				
	63					5	17	63			
	80						6	19	70		
	100							8	18		
	125								7		
	160										
	200										
	225										
	250										
	315										
400											
500											



Order no.	Product type	Dimensions H x W x D (mm)
05.23 10 11	AExe 05125	230 x 100 x 111
15.23 10 11	AExi 15120	180 x 280 x 101
25.23 10 11	AExe 05075	230 x 100 x 111

Maximum number of cable glands to DIN 50262



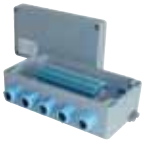
M	Side		PG	Side	
	A/B	C/D		A/B	C/D
12	15	45	7	15	45
16	8	18	9	10	28
20	6	17	11	63	18
25	3	8	13,5	6	17
32	2	5	16	5	12
40	1	3	21	3	8
50	1	2	29	1	4
63		2	36	1	3
75			42	1	2
85			48	1	2

DIN rail	TS 35
Length (mm)	214
max. fitting length (mm)	172
External earth (mm ²)	6

	1,5	2,5	4	6	10	16	25	35	50	70	95
	**	45	36	30	23						
	1	1	1	1							
x A	6										
	10	47									
	16	16	31	123							
	20	6	18	35							
	25		8	20	39						
	35			6	15						
	50				2						
	63										
	80										
	100										
	125										
	160										
	200										
	225										
	250										
	315										
400											
500											

Aluminium Ex

Technical details



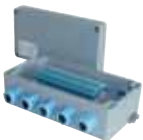
Order no.	Product type	Dimensions H x W x D (mm)
05.23 20 11	AExe 05130	232 x 202 x 111
15.23 20 11	AExi 15130	232 x 202 x 111
25.23 20 11	AExe 05080	232 x 202 x 111

		1,5	2,5	4	6	10	16	25	35	50	70	95
	**	76	62	52	38	15	13	10	10			
	N	2	2	2	2	1	1	1	1			
x 	A	6										
		10	62									
		16	21	41	160							
		20	8	24	46							
		25		11	26	50						
		35			7	19	49					
		50				2	16	40				
		63					5	19	67			
		80						7	21	75		
		100							9	19		
		125								8		
		160										
		200										
		225										
		250										
		315										
	400											
	500											

Maximum number of cable glands to DIN 50262

M	Side		PG	Side	
	A/B	C/D		A/B	C/D
12	45	45	7	45	45
16	22	18	9	28	28
20	18	17	11	20	18
25	8	8	13,5	18	17
32	6	5	16	15	12
40	3	3	21	8	8
50	2	2	29	5	4
63	2	2	36	3	3
75			42	2	2
85			48	2	2

DIN rail	TS 35
Length (mm)	186
max. fitting length (mm)	140
External earth (mm ²)	16



Order no.	Product type	Dimensions H x W x D (mm)
05.23 20 18	AExe 05135	232 x 202 x 181
15.23 20 18	AExi 15135	232 x 202 x 181
25.23 20 18	AExe 05085	232 x 202 x 181

		1,5	2,5	4	6	10	16	25	35	50	70	95
	**	76	62	52	38	15	13	10	10	8		
	N	2	2	2	2	1	1	1	1	1		
x 	A	6										
		10	82									
		16	28	54	211							
		20	11	31	61							
		25		15	34	67						
		35			10	26	65					
		50				3	21	54				
		63					7	25	88			
		80						9	27	99		
		100							12	26		
		125								10	26	
		160									9	
		200										
		225										
		250										
		315										
	400											
	500											

Maximum number of cable glands to DIN 50262

M	Side		PG	Side	
	A/B	C/D		A/B	C/D
12	90	81	7	90	81
16	42	36	9	56	49
20	33	33	11	42	36
25	18	16	13,5	33	33
32	10	9	16	25	25
40	6	6	21	16	16
50	5	5	29	10	9
63	4	4	36	6	5
75			42	5	4
85			48	4	4

DIN rail	TS 35
Length (mm)	186
max. fitting length (mm)	140
External earth (mm ²)	35

Technical details



Order no.	Product type	Dimensions H x W x D (mm)
05.23 28 11	AExe 05140	230 x 280 x 111
15.23 28 11	AExi 15140	230 x 280 x 111
25.23 28 11	AExe 05090	230 x 280 x 111

Maximum number of cable glands to DIN 50262



M	Side		PG	Side	
	A/B	C/D		A/B	C/D
12	70	45	7	68	45
16	32	18	9	44	28
20	24	17	11	32	18
25	12	8	13,5	24	17
32	9	5	16	21	12
40	4	3	21	12	8
50	3	2	29	9	4
63	3	2	36	4	3
75			42	3	2
85			48	3	2

DIN rail	TS 35
Length (mm)	264
max. fitting length (mm)	220
External earth (mm ²)	16

		1,5	2,5	4	6	10	16	25	35	50	70	95
	**	114	92	76	58	46	19	15	15			
	N	2	2	2	2	2	1	1	1			
x 	6											
	10	67										
	16	23	44	173								
	20	9	26	50								
	25		12	28	54							
	35			8	21	53						
	50				3	17	44					
	63					5	20	72				
	80						7	22	81			
	100							9	21			
	125								8			
	160											
	200											
	225											
	250											
	315											
400												
500												



Order no.	Product type	Dimensions H x W x D (mm)
05.23 33 11	AExe 05145	230 x 330 x 111
15.23 33 11	AExi 15145	230 x 330 x 111
25.23 33 11	AExe 05095	230 x 330 x 111

Maximum number of cable glands to DIN 50262



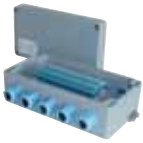
M	Side		PG	Side	
	A/B	C/D		A/B	C/D
12	84	45	7	81	45
16	42	18	9	52	28
20	30	17	11	38	18
25	15	8	13,5	30	17
32	11	5	16	27	12
40	5	3	21	15	8
50	4	2	29	11	4
63	4	2	36	5	3
75			42	4	2
85			48	4	2

DIN rail	TS 35
Length (mm)	314
max. fitting length (mm)	270
External earth (mm ²)	16

		1,5	2,5	4	6	10	16	25	35	50	70	95
	**	138	110	92	70	56	23	19	19			
	N	2	2	2	2	2	1	1	1			
x 	6											
	10	69										
	16	23	45	178								
	20	9	26	51								
	25		12	29	56							
	35			8	22	54						
	50				3	18	45					
	63					6	21	74				
	80						8	23	83			
	100							10	22			
	125								9			
	160											
	200											
	225											
	250											
	315											
400												
500												

Aluminium Ex

Technical details



Order no.	Product type	Dimensions H x W x D (mm)
05.23 33 18	AExe 05150	230 x 330 x 181
15.23 33 18	AExi 15150	230 x 330 x 181
25.23 33 18	AExe 05100	230 x 330 x 181

		1,5	2,5	4	6	10	16	25	35	50	70	95
	**	138	110	92	70	56	23	19	19	14		
	N	2	2	2	2	2	1	1	1	1		
x A	6											
	10	88										
	16	30	59	228								
	20	12	34	66								
	25		16	37	72							
	35			11	28	70						
	50				4	23	58					
	63					7	27	96				
	80						10	30	107			
	100							13	28			
	125								11	28		
	160									10		
	200											
	225											
	250											
	315											
	400											
500												

Maximum number of cable glands to DIN 50262



M	Side		PG	Side	
	A/B	C/D		A/B	C/D
12	165	81	7	114	81
16	77	36	9	104	49
20	60	33	11	77	36
25	30	16	13,5	60	33
32	18	9	16	45	25
40	11	6	21	30	16
50	8	5	29	18	6
63	8	4	36	11	5
75			42		4
85			48	8	4

DIN rail	TS 35
Length (mm)	314
max. fitting length (mm)	270
External earth (mm ²)	35



Order no.	Product type	Dimensions H x W x D (mm)
05.23 40 11	AExe 05155	230 x 400 x 111
15.23 40 11	AExi 15155	230 x 400 x 111
25.23 40 11	AExe 05105	230 x 400 x 111

		1,5	2,5	4	6	10	16	25	35	50	70	95
	**	170	138	116	86	70	29	23	23			
	N	2	2	2	2	2	1	1	1			
x A	6											
	10	70										
	16	24	47	182								
	20	10	27	52								
	25		13	30	57							
	35			8	22	56						
	50				3	18	46					
	63					6	21	76				
	80						8	24	85			
	100							10	22			
	125								9			
	160											
	200											
	225											
	250											
	315											
	400											
500												

Maximum number of cable glands to DIN 50262



M	Side		PG	Side	
	A/B	C/D		A/B	C/D
12	103	45	7	103	45
16	50	18	9	64	28
20	39	17	11	46	18
25	20	8	13,5	39	17
32	14	5	16	33	12
40	6	3	21	18	8
50	5	2	29	13	4
63	5	2	36	6	3
75			42	5	2
85			48	5	2

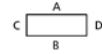
DIN rail	TS 35
Length (mm)	381
max. fitting length (mm)	340
External earth (mm ²)	16

Technical details



Order no.	Product type	Dimensions H x W x D (mm)
05.23 40 23	AExe 05160	230 x 400 x 225
15.23 40 23	AExi 15160	230 x 400 x 225
25.23 40 23	AExe 05110	230 x 400 x 225

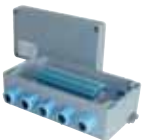
Maximum number of cable glands to DIN 50262



M	Side		PG	Side	
	A/B	C/D		A/B	C/D
12	240	108	7	240	108
16	122	48	9	160	63
20	100	44	11	112	48
25	54	21	13,5	100	44
32	30	13	16	77	35
40	18	9	21	54	21
50	15	6	29	30	13
63	12	5	36	18	6
75			42	15	6
85			48	12	5

DIN rail	TS 35
Length (mm)	381
max. fitting length (mm)	340
External earth (mm ²)	35

		1,5	2,5	4	6	10	16	25	35	50	70	95
	**	170	138	116	86	70	29	23	23	18		
	N	2	2	2	2	2	1	1	1	1		
x 	6											
	10	102										
	16	35	67	263								
	20	14	39	76								
	25		18	43	83							
	35			12	32	81						
	50				4	26	67					
	63					9	31	110				
	80						12	34	123			
	100							15	32			
	125								13	33		
	160									11		
	200											
	225											
	250											
	315											
400												
500												



Order no.	Product type	Dimensions H x W x D (mm)
05.23 60 11	AExe 05165	230 x 600 x 111
15.23 60 11	AExi 15165	230 x 600 x 111
25.23 60 11	AExe 05115	230 x 600 x 111

Maximum number of cable glands to DIN 50262



M	Side		PG	Side	
	A/B	C/D		A/B	C/D
12	150	43	7	150	43
16	72	18	9	96	28
20	54	17	11	68	18
25	28	8	13,5	54	15
32	20	4	16	28	12
40	10	3	21	28	8
50	8	2	29	20	4
63	6	2	36	10	4
75			42	8	2
85			48	6	2

DIN rail	TS 35
Length (mm)	581
max. fitting length (mm)	540
External earth (mm ²)	16

		1,5	2,5	4	6	10	16	25	35	50	70	95
	**	266	214	180	136	54	45	36	36			
	N	2	2	2	2	1	1	1	1			
x 	6											
	10	72										
	16	24	47	185								
	20	10	28	54								
	25		13	30	58							
	35			9	23	57						
	50				3	18	47					
	63					6	22	78				
	80						8	24	87			
	100							10	23			
	125								9			
	160											
	200											
	225											
	250											
	315											
400												
500												

Aluminium Ex

Technical details



Order no.	Product type	Dimensions H x W x D (mm)
05.31 40 11	AExe 05170	313 x 404 x 111
15.31 40 11	AExi 15170	313 x 404 x 111
25.31 40 11	AExe 05120	313 x 404 x 111

		1,5	2,5	4	6	10	16	25	35	50	70	95
	**	258	210	174	132	70	58	23	23			
	N	3	3	3	2	2	2	1	1			
x A	6											
	10	81										
	16	27	54	209								
	20	11	31	60								
	25		15	34	66							
	35			10	26	64						
	50				3	21	43					
	63					7	24	87				
	80						9	27	98			
	100							11	26			
	125								10			
	160											
	200											
	225											
	250											
	315											
	400											
500												

Maximum number of cable glands to DIN 50262



M	Side		PG	Side	
	A/B	C/D		A/B	C/D
12	105	68	7	103	68
16	50	28	9	64	42
20	39	26	11	46	27
25	20	12	13,5	39	24
32	14	7	16	33	18
40	6	4	21	18	12
50	5	3	29	13	7
63	5	3	36	6	4
75			42	5	3
85			48	5	3

DIN rail	TS 35
Length (mm)	381
max. fitting length (mm)	340
External earth (mm ²)	16



Order no.	Product type	Dimensions H x W x D (mm)
05.31 40 14	AExe 05175	312 x 403 x 141
15.31 40 14	AExi 15175	312 x 403 x 141
25.31 40 14	AExe 05125	312 x 403 x 141

		1,5	2,5	4	6	10	16	25	35	50	70	95
	**	258	207	174	132	70	58	23	23	18	14	14
	N	3	3	3	2	2	2	1	1	1	1	1
x A	6											
	10	89										
	16	30	59	230								
	20	12	34	67								
	25		16	38	73							
	35			11	28	71						
	50				4	23	58					
	63					7	27	97				
	80						10	30	108			
	100							13	28			
	125								11	29		
	160									10	25	
	200										9	22
	225										3	12
	250											6
	315											
	400											
500												

Maximum number of cable glands to DIN 50262



M	Side		PG	Side	
	A/B	C/D		A/B	C/D
12	147	95	7	147	95
16	70	43	9	96	55
20	55	32	11	70	40
25	28	18	13,5	55	32
32	17	10	16	44	28
40	12	7	21	27	18
50	7	4	29	17	10
63	6	3	36	12	7
75			42	7	4
85			48	6	3

DIN rail	TS 35
Length (mm)	381
max. fitting length (mm)	340
External earth (mm ²)	50

Technical details



Order no.	Product type	Dimensions H x W x D (mm)
05.31 40 18	AExe 05180	313 x 404 x 181
15.31 40 18	AExi 15180	313 x 404 x 181
25.31 40 18	AExe 05130	313 x 404 x 181

Maximum number of cable glands to DIN 50262



M	Side		PG	Side	
	A/B	C/D		A/B	C/D
12	205	122	7	205	122
16	98	54	9	128	77
20	78	51	11	98	54
25	40	24	13,5	75	48
32	22	15	16	60	38
40	15	9	21	38	24
50	11	6	29	22	15
63	8	6	36	14	8
75			42	10	6
85			48	10	6

DIN rail	TS 35
Length (mm)	381
max. fitting length (mm)	340
External earth (mm ²)	50

		1,5	2,5	4	6	10	16	25	35	50	70	95	
	**	258	210	174	132	70	58	23	23	18	14	14	
	N	3	3	3	2	2	2	1	1	1	1	1	
x 	6												
	10	101											
	16	34	67	260									
	20	14	39	75									
	25		18	43	82								
	35			12	32	80							
	50				4	26	66						
	63					8	31	109					
	80						11	34	122				
	100							14	32				
	125								13	32			
	160									11	28		
	200										10	25	
	225											4	14
	250												7
	315												
	400												
500													

Maximum number of cable glands to DIN 50262



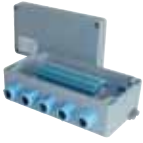
M	Side		PG	Side	
	A/B	C/D		A/B	C/D
12	246	162	7	246	162
16	126	72	9	160	99
20	100	68	11	112	72
25	54	33	13,5	100	64
32	30	20	16	77	53
40	18	12	21	54	33
50	15	9	29	30	20
63	12	8	36	18	12
75			42	15	9
85			48	14	8

DIN rail	TS 35
Length (mm)	381
max. fitting length (mm)	340
External earth (mm ²)	50

		1,5	2,5	4	6	10	16	25	35	50	70	95	
	**	258	210	174	132	70	58	23	23	18	14	14	
	N	3	3	3	2	2	2	1	1	1	1	1	
x 	6												
	10	114											
	16	39	75	294									
	20	16	44	85									
	25		21	48	93								
	35			14	36	90							
	50				5	29	75						
	63					10	35	123					
	80						13	38	138				
	100							16	36				
	125								14	37			
	160									12	32		
	200										11	28	
	225											4	16
	250												8
	315												
	400												
500													

Aluminium Ex

Technical details



Order no.	Product type	Dimensions H x W x D (mm)
05.31 60 11	AExe 05190	310 x 600 x 111
15.31 60 11	AExi 15190	310 x 600 x 111
25.31 60 11	AExe 05140	310 x 600 x 111

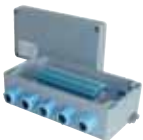
		1,5	2,5	4	6	10	16	25	35	50	70	95
	**	399	321	270	204	108	90	36	36			
	N	3	3	3	2	2	2	1	1			
x A	6											
	10	85										
	16	29	56	220								
	20	12	33	64								
	25		15	36	69							
	35			10	27	68						
	50				4	22	56					
	63					7	26	92				
	80						10	29	103			
	100							12	27			
	125								11			
	160											
	200											
	225											
	250											
	315											
	400											
500												

Maximum number of cable glands to DIN 50262



M	Side		PG	Side	
	A/B	C/D		A/B	C/D
12	150	68	7	150	68
16	76	28	9	96	42
20	60	24	11	72	27
25	30	12	13,5	60	24
32	20	7	16	48	18
40	10	4	21	28	12
50	8	3	29	20	6
63	6	3	36	10	4
75			42	8	3
85			48	6	3

DIN rail	TS 35
Length (mm)	581
max. fitting length (mm)	540
External earth (mm ²)	16



Order no.	Product type	Dimensions H x W x D (mm)
05.31 60 18	AExe 05195	310 x 600 x 181
15.31 60 18	AExi 15195	310 x 600 x 181
25.31 60 18	AExe 05145	310 x 600 x 181

		1,5	2,5	4	6	10	16	25	35	50	70	95
	**	399	321	270	204	108	90	36	36	28	22	22
	N	3	3	3	2	2	2	1	1	1	1	1
x A	6											
	10	104										
	16	36	69	269								
	20	15	40	78								
	25		19	44	85							
	35			13	33	83						
	50				5	27	68					
	63					9	32	113				
	80						12	35	126			
	100							15	33			
	125								13	34		
	160									11	30	
	200										10	26
	225										4	15
	250											8
	315											
	400											
500												

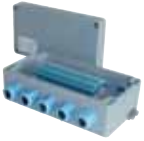
Maximum number of cable glands to DIN 50262



M	Side		PG	Side	
	A/B	C/D		A/B	C/D
12	270	122	7	270	122
16	140	54	9	184	74
20	108	48	11	134	54
25	56	24	13,5	108	48
32	32	15	16	84	35
40	22	9	21	56	24
50	16	6	29	32	15
63	12	6	36	22	8
75			42	16	6
85			48	12	6

DIN rail	TS 35
Length (mm)	581
max. fitting length (mm)	540
External earth (mm ²)	50

Technical details



Order no.	Product type	Dimensions H x W x D (mm)
05.60 60 20	AExe 05200	600 x 600 x 202
15.60 60 20	AExi 15200	600 x 600 x 202
25.60 60 20	AExe 05150	600 x 600 x 202

Maximum number of cable glands to DIN 50262



x	A	1,5	2,5	4	6	10	16	25	35	50	70	95	120	150	185	240
		**	532	428	360	204	162	135	108	108	56	22	22	18	18	15
		4	4	4	3	3	3	2	2	1	1	1	1	1	1	1
6																
10		142														
16		49	95	368												
20		20	55	107												
25			26	60	116											
35				18	45	113										
50					6	37	94									
63						12	43	154								
80							16	48	173							
100								20	45							
125								2	18	46						
160									16	41						
200										14	35	109				
225										5	20	42				
250											10	26	54			
315												5	15	32		
400														7	22	
500																3

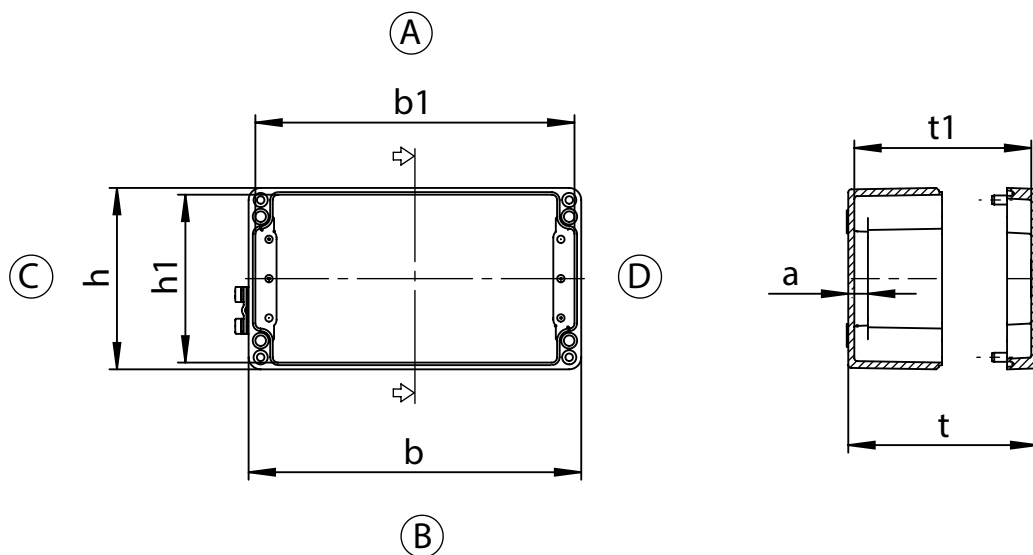
M	Side		PG	Side	
	A/B	C/D		A/B	C/D
12	270	270	7	270	270
16	140	140	9	184	184
20	108	108	11	134	134
25	56	56	13,5	108	108
32	32	32	16	84	84
40	22	22	21	56	56
50	16	16	29	32	32
63	12	12	36	18	18
75			42	12	12
85			48	12	12

DIN rail	TS 35
Length (mm)	575
max. fitting length (mm)	540
External earth (mm²)	120

Aluminium Ex

Technical details

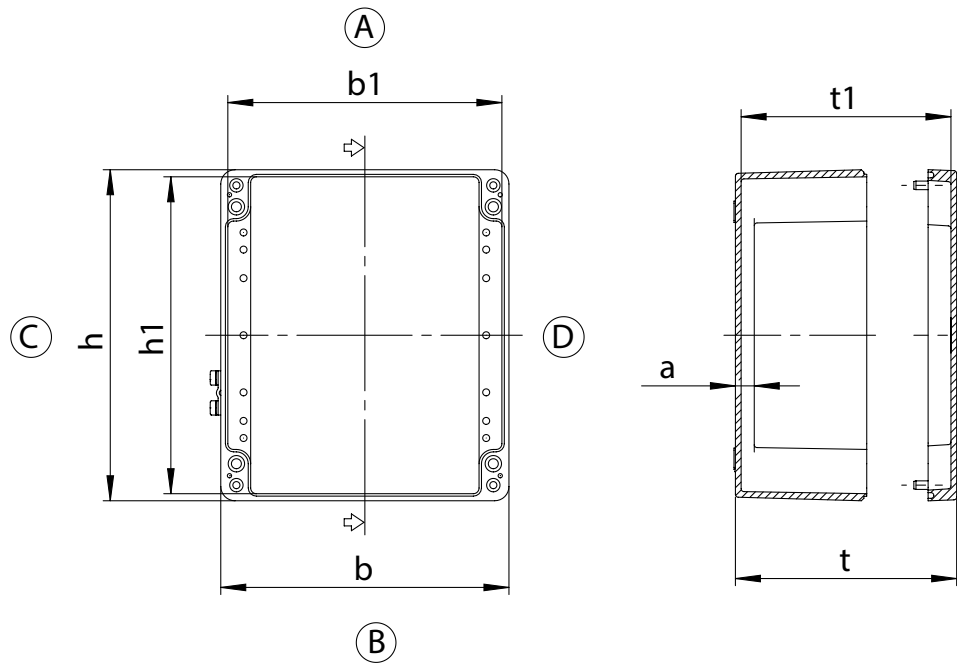
Order no.	b	h	t	b1	h1	t1	a
XX.06 10 03	98	64	34	91	57	28,5	14
XX.06 15 03	150	64	34	143	57	28,5	14
XX.08 13 06	125	72	80	117	72	51	9
XX.08 18 06	175	72	80	167	72	51	9
XX.08 25 05	250	242	52	45	72	45	15,5
XX.10 16 08	160	100	81	152	92	74	9,5
XX.10 20 08	200	100	81	192	92	74	9,5
XX.12 22 08	220	120	81	211	111	72	13
XX.12 22 09	220	120	91	211	111	82	13
XX.12 36 08	360	120	81	351	111	72	13
XX.14 20 09	200	140	91	191	131	82	13
XX.16 26 09	260	160	91	251	151	82	13
XX.16 36 09	360	160	91	351	151	82	13
XX.16 56 09	560	160	91	551	151	82	13
XX.18 28 10	280	180	101	271	171	92	13
XX.23 28 11	280	230	111	271	221	102	13
XX.23 33 11	330	230	111	320	220	102	13
XX.23 33 18	330	230	181	320	220	170	13
XX.23 40 11	400	230	111	390	220	102	13
XX.23 40 23	400	230	225	389	219	214	14
XX.23 60 11	600	230	111	588	218	100	14
XX.31 40 11	404	313	111	394	303	101	13
XX.31 40 14	403	312	141	391	300	129	14
XX.31 40 18	404	313	181	394	303	169	14
XX.31 40 23	404	313	227	391	300	216	14
XX.31 60 11	600	310	111	588	298	99	14
XX.31 60 18	600	310	181	588	298	169	14



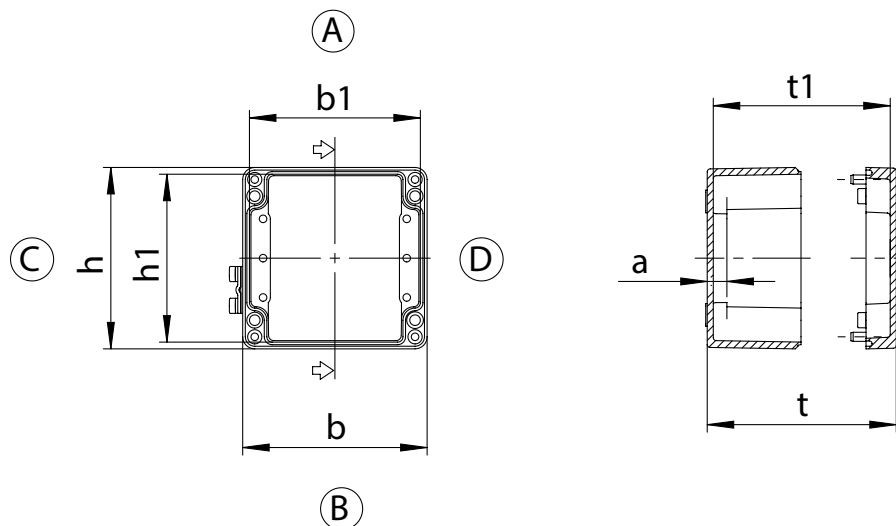
Detail drawings see www.rose-pw.de

Technical details

Order no.	b	h	t	b1	h1	t1	a
XX.23 10 11	100	230	111	89	220	101	14
XX.23 20 11	202	232	111	192	222	102	13
XX.23 20 18	202	232	181	192	222	170	14



Order no.	b	h	t	b1	h1	t1	a
XX.06 06 03	58	64	34	51	57	28,5	14
XX.08 08 06	75	72	80	67	72	51	9
XX.10 10 08	100	100	81	92	92	74	9,5
XX.12 12 08	122	120	81	113	111	72	13
XX.12 12 09	122	120	91	113	111	82	13
XX.14 14 09	140	140	91	131	131	82	13
XX.16 16 09	160	160	91	151	151	82	13
XX.18 18 10	180	180	101	171	171	92	13
XX.60 60 20	600	600	202,5	588	588	189	17



Detail drawings see www.rose-pw.de

Ex Polyamide Hand held enclosure Beluga



- + Hand held enclosures as empty enclosures for Ex-applications
- + 3 enclosure sizes
- + Optional version with display openings

Included in delivery

Enclosure system consisting of top and base with seal.
 O version = open: with display screen and mounting material for window

Technical datas

Explosion protection	II 2G Ex e IIC Gb II 2D Ex tb IIIC Db
Material	Polyamide 12
Colour	RAL 9005, jet black
Ingress protection	IP 65 to EN 60529
Impact resistance	7 Joule to EN 60079-0
Flammability	UL 94 HB
Surface resistance	<10 ⁹ Ohm to IEC 60093
Temperature range	-20°C bis +60°C
Other versions on request	EMC

Ex Polyamide Hand held enclosure Beluga

Product overview

Ex empty		Dimensions H x W x D (mm)	Version	Weight (g)
Order no.	Product type			
28.02 02 00	Beluga 180 O ExB	106/75 x 187 x 50	open	160
28.02 02 01	Beluga 180 G ExB	106/75 x 187 x 50	closed	170
28.02 04 00	Beluga 220 O ExB	116/85 x 220 x 51	open	200
28.02 04 01	Beluga 220 G ExB	116/85 x 220 x 51	closed	210
28.02 05 01	Beluga 380 ExB	380 x 117 x 68	closed	520

Accessories

Carrying strap

carrying strap Beluga 380

Order no.

27.02 05 80

Hand strap

hand strap Beluga 180/220

Order no.

27.02 00 83

27.02 05 81

Hook set



Order no.

27.02 00 80

Spare display screen

Order no.

28.99 00 01

28.99 00 02

Wall holder



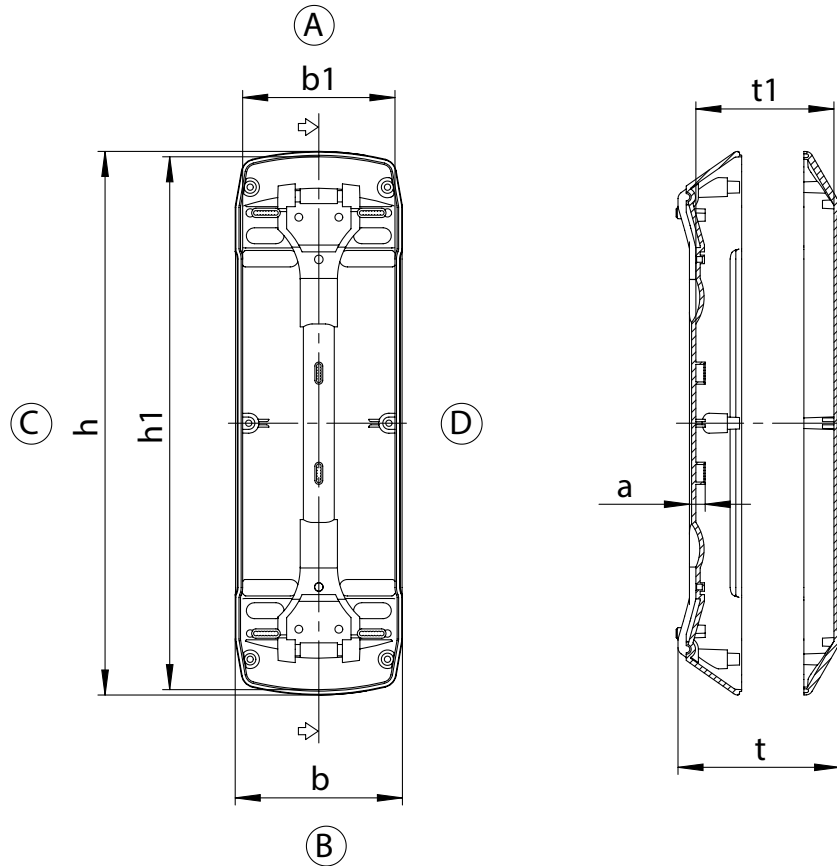
Order no.

27.02 05 82

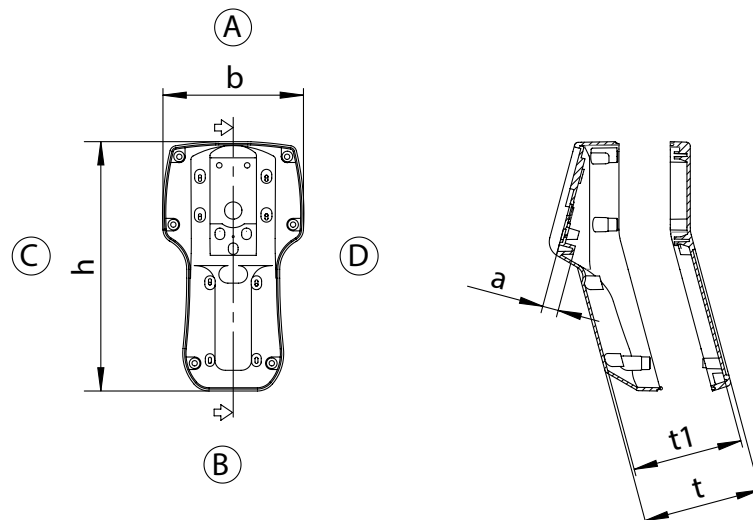
Ex Polyamide Hand held enclosure Beluga

Technical details

Order no.	b	h	t	b1	h1	t1	a
28.02 05 01	117	380	68	98	306	60	11



Order no.	b	h	t	t1	a
28.02 02 00	106	187	50	45	14,5
28.02 02 01	106	187	50	45	14,5
28.02 04 00	116	220	51	46	14,5
28.02 04 01	116	220	51	46	14,5



Detail drawings see www.rose-pw.de



- + Flameproof aluminium enclosures for utilization with non Ex-approved electrical components
- + Possible connection with Ex e terminal enclosures
- + II B version

Included in delivery

Enclosure system consisting of base and lid with screws, external earth connection, hinge, mounting plate and external brackets

Technical datas

Explosion protection	II 2G Ex db IIB + H2 T6... T3 II 2G db [ia/ib] IIB + H2 T6....T3 IID Ex tb IIIC T85°C...T150°C
Material	copper free aluminium (CU < 0,1 %)
Colour	RAL 7035, light grey
Ingress protection	IP 66 to EN 60529
Temperature range	-60°C to +60°C

Ex d II B Aluminium enclosures EJB

Product overview

Ex d II B		Dimensions H x W x D (mm)	Weight (g)
Order no.	Product type		
40.00 20 01	EJB 11	175 x 175 x 125	3600
40.00 20 02	EJB 21	285 x 245 x 169	10500
40.00 20 03	EJB 22	300 x 200 x 220	12500
40.00 20 04	EJB 30	415 x 315 x 168	18500
40.00 20 05	EJB 31	415 x 315 x 250	20500
40.00 20 06	EJB 51	566 x 366 x 257	36500
40.00 20 07	EJB 61	670 x 470 x 360	57000
40.00 20 08	EJB 63	670 x 470 x 235	47000
40.00 20 09	EJB 71	742 x 542 x 425	111000
40.00 20 10	EJB 91	960 x 660 x 460	202000

Terminal mounting

Make	Phoenix Contact											
DIN rail	TS 35	TS 35	TS 35	TS 35	TS 35	TS 35	TS 35	TS 35				
Nominal cross section (mm ²)	2,5	4	6	10	16	35	50	240				
Voltage (V)	690	690	690	690	690	690	690	1100				
Terminal width (mm)	5,2	6,2	8,2	10,2	12,2	16,2	20	36				
Terminal type												
Enclosure type	UT 2,5	UT 4	UT 6	UT 10	UT 16	UT 35	UKH 50	UKH 240				
40.00 20 01	12	10	8	6	4	2						
40.00 20 02	30	26	20	14	12	8	6	1				
40.00 20 03	44	36	30	20	18	12	10	2				
40.00 20 04	104	88	64	48	40	28	12	4				
40.00 20 05	104	88	64	48	40	28	12	4				
40.00 20 06	160	120	92	72	60	44	36	6				
40.00 20 07	184	210	174	138	114	84	52	12				
40.00 20 08	184	210	174	138	114	84	52	12				
40.00 20 09	330	267	210	168	138	102	56	12				
40.00 20 10	420	345	270	210	180	132	108	28				

Other supplier on request

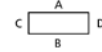
Ex d II B Aluminium enclosures EJB

Technical details



Order no.	Product type	Dimensions H x W x D (mm)
40.00 20 01	EJB 11	175 x 175 x 125

Maximum number of cable glands to DIN 50262

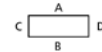


M	Side		NPT	Side	
	A/B	C/D		A/B	C/D
12			1/2	3	3
16			3/4	2	2
20	3	3	1	2	2
25	2	2	1 1/3	1	1
32	2	2	1 1/2	1	1
40	1	1	2		
50	1	1	2 1/2		
63			3		
75					
85					



Order no.	Product type	Dimensions H x W x D (mm)
40.00 20 02	EJB 21	285 x 245 x 169

Maximum number of cable glands to DIN 50262



M	Side		NPT	Side	
	A/B	C/D		A/B	C/D
12			1/2	8	10
16			3/4	5	7
20	8	10	1	4	5
25	5	7	1 1/3	3	3
32	4	5	1 1/2	2	2
40	3	3	2	1	2
50	2	2	2 1/2	1	1
63	1	2	3		
75	1	1			
85					



Order no.	Product type	Dimensions H x W x D (mm)
40.00 20 03	EJB 22	300 x 200 x 220

Maximum number of cable glands to DIN 50262



M	Side		NPT	Side	
	A/B	C/D		A/B	C/D
12			1/2	9	15
16			3/4	5	11
20	9	15	1	5	8
25	5	11	1 1/3	4	6
32	5	8	1 1/2	2	6
40	4	6	2	1	3
50	2	6	2 1/2	1	2
63	1	3	3	1	1
75	1	2			
85	1	1			

Ex d II B Aluminium enclosures EJB

Technical details



Order no.	Product type	Dimensions H x W x D (mm)
40.00 20 04	EJB 30	415 x 315 x 168

Maximum number of cable glands to DIN 50262



M	Side		NPT	Side	
	A/B	C/D		A/B	C/D
12			1/2	13	9
16			3/4	7	5
20	13	9	1	5	4
25	7	5	1 1/3	5	3
32	5	4	1 1/2	4	3
40	5	3	2	3	2
50	4	3	2 1/2		
63	3	2	3		
75					
85					



Order no.	Product type	Dimensions H x W x D (mm)
40.00 20 05	EJB 31	415 x 315 x 250

Maximum number of cable glands to DIN 50262



M	Side		NPT	Side	
	A/B	C/D		A/B	C/D
12			1/2	20	28
16			3/4	12	18
20	20	28	1	9	14
25	12	18	1 1/3	8	11
32	9	14	1 1/2	6	8
40	8	11	2	5	6
50	6	8	2 1/2	2	3
63	5	6	3	1	2
75	2	3			
85	1	2			



Order no.	Product type	Dimensions H x W x D (mm)
40.00 20 06	EJB 51	566 x 366 x 257

Maximum number of cable glands to DIN 50262



M	Side		NPT	Side	
	A/B	C/D		A/B	C/D
12			1/2	24	44
16			3/4	15	27
20	24	44	1	12	24
25	15	27	1 1/3	11	20
32	12	24	1 1/2	6	12
40	11	20	2	6	10
50	6	12	2 1/2	3	6
63	6	10	3	2	3
75	3	6			
85	2	3			

Ex d II B Aluminium enclosures EJB

Technical details



Order no.	Product type	Dimensions H x W x D (mm)
40.00 20 07	EJB 61	670 x 470 x 360

Maximum number of cable glands to DIN 50262



M	Side		NPT	Side	
	A/B	C/D		A/B	C/D
12			1/2	48	72
16			3/4	30	50
20	48	72	1	24	36
25	30	50	1 1/3	20	32
32	24	36	1 1/2	12	21
40	20	32	2	12	21
50	12	21	2 1/2	8	14
63	12	21	3	6	8
75	8	14			
85	6	8			



Order no.	Product type	Dimensions H x W x D (mm)
40.00 20 08	EJB 63	670 x 470 x 235

Maximum number of cable glands to DIN 50262



M	Side		NPT	Side	
	A/B	C/D		A/B	C/D
12			1/2	24	36
16			3/4	17	29
20	24	36	1	12	18
25	17	29	1 1/3	10	16
32	12	18	1 1/2	8	14
40	10	16	2	4	7
50	8	14	2 1/2	3	5
63	4	7	3	3	4
75	3	5			
85	3	4			



Order no.	Product type	Dimensions H x W x D (mm)
40.00 20 09	EJB 71	742 x 542 x 425

Maximum number of cable glands to DIN 50262



M	Side		NPT	Side	
	A/B	C/D		A/B	C/D
12			1/2	48	78
16			3/4	35	55
20	48	78	1	35	50
25	35	55	1 1/3	24	36
32	35	50	1 1/2	20	32
40	24	36	2	15	21
50	20	32	2 1/2	12	18
63	15	21	3	6	10
75	12	18			
85	6	10			

Ex d II B Aluminium enclosures EJB

Technical details



Order no.	Product type	Dimensions H x W x D (mm)
40.00 20 10	EJB 91	960 x 660 x 460

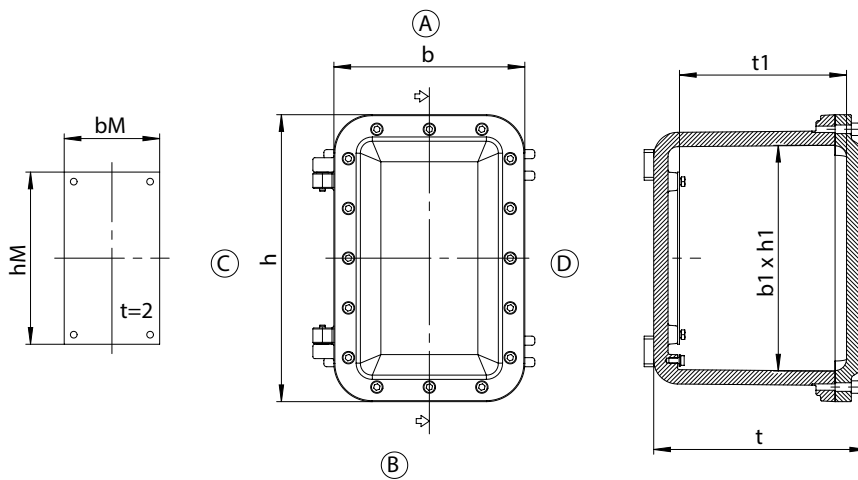
Maximum number of cable glands to DIN 50262



M	Side		NPT	Side	
	A/B	C/D		A/B	C/D
12			1/2	70	112
16			3/4	42	84
20	70	112	1	35	65
25	42	84	1 1/3	35	55
32	35	65	1 1/2	24	40
40	35	55	2	18	28
50	24	40	2 1/2	13	23
63	18	28	3	8	14
75	13	23			
85	8	14			

Technical details

Order no.	b	h	t	b1	h1	t1	bM	hM
40.00 20 01	175	175	125	115	115	90	100	100
40.00 20 02	245	285	169	175	217	122	140	180
40.00 20 03	200	300	220	135	235	175	100	180
40.00 20 04	315	415	168	245	340	120	225	325
40.00 20 05	315	415	250	245	340	200	225	325
40.00 20 06	366	566	257	295	495	203	260	460
40.00 20 07	470	670	360	395	595	310	360	560
40.00 20 08	470	670	235	395	595	184	360	560
40.00 20 09	542	742	425	445	645	360	390	590
40.00 20 10	660	960	460	530	830	370	448	758

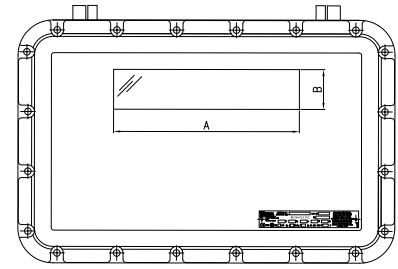


Detail drawings see www.rose-pw.de

Technical details

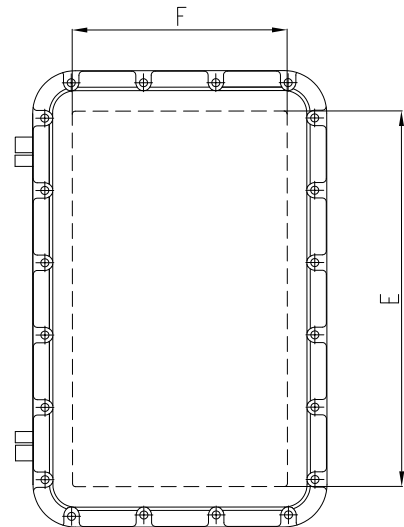
Window dimensions

Window area (mm)		EJB 11	EJB 21	EJB 22	EJB 30/31	EJB 51	EJB 61/63	EJB 71	EJB 91
A	B								
60	60	X	X	X	X	X	X	X	X
75	75	X	X		X	X	X	X	X
110	75		X	X	X	X	X	X	X
150	75		X		X	X	X		
150	150				X	X	X		
300	75				X	X	X		
300	150				X	X	X		
300	300						X		
450	300						X		



Lid machining areas

Type	Lid area E x F (mm)	max. quantity of devices \varnothing 30 mm
EJB 11	120 x 120	6
EJB 21	200 x 155	12
EJB 22	240 x 210	15
EJB 30	305 x 205	30
EJB 31	305 x 205	30
EJB 51	465 x 265	54
EJB 61	575 x 370	56
EJB 63	575 x 370	56
EJB 71	590 x 390	48
EJB 91	800 x 500	54



Ex d II B Stainless steel enclosure EJB INX



- + Ex d Flame proof enclosures from material stainless steel for installation of non Ex approved equipment
- + Possible combinations of Ex e connection departments
- + II B version

Included in delivery

Enclosure system consisting of base and lid with screws, external earth connection, hinge, handle, mounting plate and external brackets. Ex e connection department please order separately

Technical datas

Explosion protection	Ex II 2G Ex db IIB + H2 T6...T3 Ex II 2G db [ia/ib] IIB + H2 T6...T3 Ex II 2D Ex tb IIIC T85°C... T150°C
Material	Stainless steel AISi 316L
Ingress protection	IP 66 to EN 60529
Temperature range	-60°C to +60°C

Ex d II B Stainless steel enclosure EJB INX

Product overview

Ex d II B		Dimensions H x W x D (mm)	Weight (g)
Order no.	Product type		
40.00 24 01	EJB-21 INX	285 x 245 x 194	32000
40.00 24 02	EJB-22 INX	300 x 200 x 218	38000
40.00 24 03	EJB-30 INX	415 x 315 x 158	53000
40.00 24 04	EJB-31 INX	415 x 315 x 243	62000
40.00 24 05	EJB-51 INX	565 x 365 x 253	110000
40.00 24 06	EJB-61 INX	670 x 470 x 344	152000
40.00 24 07	EJB-63 INX	670 x 470 x 229	140000
40.00 24 08	EJB-91 INX	960 x 660 x 432	618000

Terminal mounting

Make	Phoenix Contact											
DIN rail	TS 35	TS 35	TS 35	TS 35	TS 35	TS 35	TS 35					
Nominal cross section (mm ²)	2,5	6	10	16	35	50	240					
Voltage (V)	690	690	690	690	690	690	1100					
Terminal width (mm)	5,2	8,2	10,2	12,2	16,2	20	36					
Terminal type												
Enclosure type	UT 2,5	UT 6	UT 10	UT 16	UT 35	UKH 50	UKH 240					
40.00 24 01	30	20	14	12	8	6	1					
40.00 24 02	44	30	20	18	12	10	2					
40.00 24 03	104	64	48	40	28	12	4					
40.00 24 04	104	64	48	40	28	12	4					
40.00 24 05	160	92	72	60	44	36	6					
40.00 24 06	276	174	138	114	84	52	12					
40.00 24 07	276	174	138	114	84	52	12					
40.00 24 08	420	270	210	180	132	108	28					

Other supplier on request

Ex d II B Stainless steel enclosure EJB INX

Technical details



Order no.	Product type	Dimensions H x W x D (mm)
40.00 24 01	EJB-21 INX	285 x 245 x 194

Maximum number of cable glands to DIN 50262

M	Side		NPT	Side	
	A/B	C/D		A/B	C/D
12			1/2	8	10
16			3/4	5	7
20	8	10	1	4	5
25	5	7	1 1/3	3	3
32	4	5	1 1/2	2	2
40	3	3	2	1	2
50	2	2	2 1/2	1	1
63	1	2	3		
75	1	1			
85					



Order no.	Product type	Dimensions H x W x D (mm)
40.00 24 02	EJB-22 INX	300 x 200 x 218

Maximum number of cable glands to DIN 50262

M	Side		NPT	Side	
	A/B	C/D		A/B	C/D
12			1/2	9	15
16			3/4	5	11
20	9	15	1	5	8
25	5	11	1 1/3	4	6
32	5	8	1 1/2	2	6
40	4	6	2	1	3
50	2	6	2 1/2	1	2
63	1	3	3	1	1
75	1	2			
85	1	1			



Order no.	Product type	Dimensions H x W x D (mm)
40.00 24 03	EJB-30 INX	415 x 315 x 158

Maximum number of cable glands to DIN 50262

M	Side		NPT	Side	
	A/B	C/D		A/B	C/D
12			1/2	9	13
16			3/4	5	7
20	9	13	1	4	5
25	5	7	1 1/3	3	5
32	4	5	1 1/2	3	4
40	3	5	2	2	3
50	3	4	2 1/2		
63	2	3	3		
75					
85					

Ex d II B Stainless steel enclosure EJB INX

Technical details



Order no.	Product type	Dimensions H x W x D (mm)
40.00 24 04	EJB-31 INX	415 x 315 x 243

Maximum number of cable glands to DIN 50262



M	Side		NPT	Side	
	A/B	C/D		A/B	C/D
12			1/2	20	28
16			3/4	12	18
20	20	28	1	9	14
25	12	18	1 1/3	8	11
32	9	14	1 1/2	6	8
40	8	11	2	5	6
50	6	8	2 1/2	2	3
63	5	6	3	1	2
75	2	3			
85	1	2			



Order no.	Product type	Dimensions H x W x D (mm)
40.00 24 05	EJB-51 INX	565 x 365 x 253

Maximum number of cable glands to DIN 50262



M	Side		NPT	Side	
	A/B	C/D		A/B	C/D
12			1/2	24	44
16			3/4	15	27
20	24	44	1	12	24
25	15	27	1 1/3	11	20
32	12	24	1 1/2	6	12
40	11	20	2	6	10
50	6	12	2 1/2	3	6
63	6	10	3	2	3
75	3	6			
85	2	3			



Order no.	Product type	Dimensions H x W x D (mm)
40.00 24 06	EJB-61 INX	670 x 470 x 344

Maximum number of cable glands to DIN 50262



M	Side		NPT	Side	
	A/B	C/D		A/B	C/D
12			1/2	48	72
16			3/4	30	50
20	48	72	1	24	36
25	30	50	1 1/3	20	32
32	24	36	1 1/2	12	21
40	20	32	2	12	21
50	12	21	2 1/2		14
63	12	21	3	6	8
75		14			
85	6	8			

Ex d II B Stainless steel enclosure EJB INX

Technical details



Order no.	Product type	Dimensions H x W x D (mm)
40.00 24 07	EJB-63 INX	670 x 470 x 229

Maximum number of cable glands to DIN 50262



M	Side		NPT	Side	
	A/B	C/D		A/B	C/D
12			1/2	24	36
16			3/4	17	29
20	24	36	1	12	18
25	17	29	1 1/3	10	16
32	12	18	1 1/2	8	14
40	10	16	2	4	7
50	8	14	2 1/2	3	5
63	4	7	3	3	4
75	3	5			
85	3	4			



Order no.	Product type	Dimensions H x W x D (mm)
40.00 24 08	EJB-91 INX	960 x 660 x 432

Maximum number of cable glands to DIN 50262

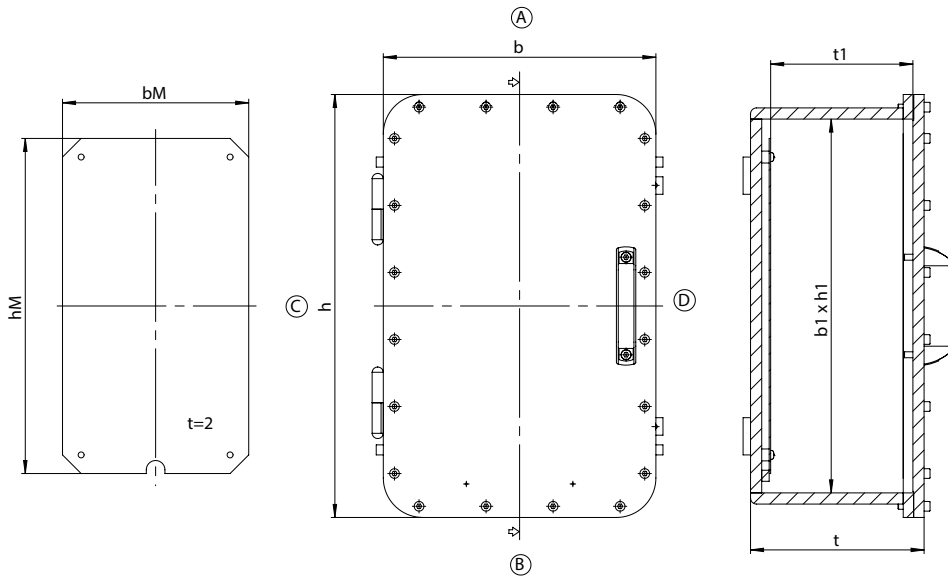


M	Side		NPT	Side	
	A/B	C/D		A/B	C/D
12			1/2	70	112
16			3/4	42	84
20	70	112	1	35	65
25	42	84	1 1/3	35	55
32	35	65	1 1/2	24	40
40	35	55	2	18	28
50	24	40	2 1/2	13	23
63	18	28	3	8	14
75	13	23			
85	8	14			

Ex d II B Stainless steel enclosure EJB INX

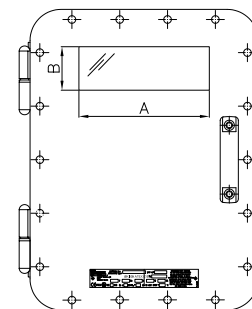
Technical details

Order no.	b	h	t	b1	h1	t1	bM	hM
40.00 24 01	245	285	194	175	215	175	140	180
40.00 24 02	200	300	218	130	230	177	100	180
40.00 24 03	315	415	158	235	335	117	225	325
40.00 24 04	315	415	243	235	335	180	225	325
40.00 24 05	365	565	253	280	480	190	260	460
40.00 24 06	470	670	344	390	590	290	360	560
40.00 24 07	470	670	229	390	590	180	360	560
40.00 24 08	660	960	275	543	843	360	448	758



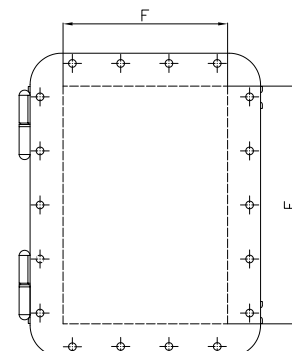
Window dimensions

Window area (mm)		EJB 21	EJB 22	EJB 30/31	EJB 51	EJB 61/63	EJB 71	EJB 91
A	x B	INX	INX	INX	INX	INX	INX	INX
60	60	X	X	X	X	X	X	X
75	75	X		X	X	X	X	X
110	75	X	X	X	X	X	X	X
150	75	X		X	X	X		
150	150			X	X	X		
300	75			X	X	X		
300	150			X	X	X		
300	300					X		
450	300					X		

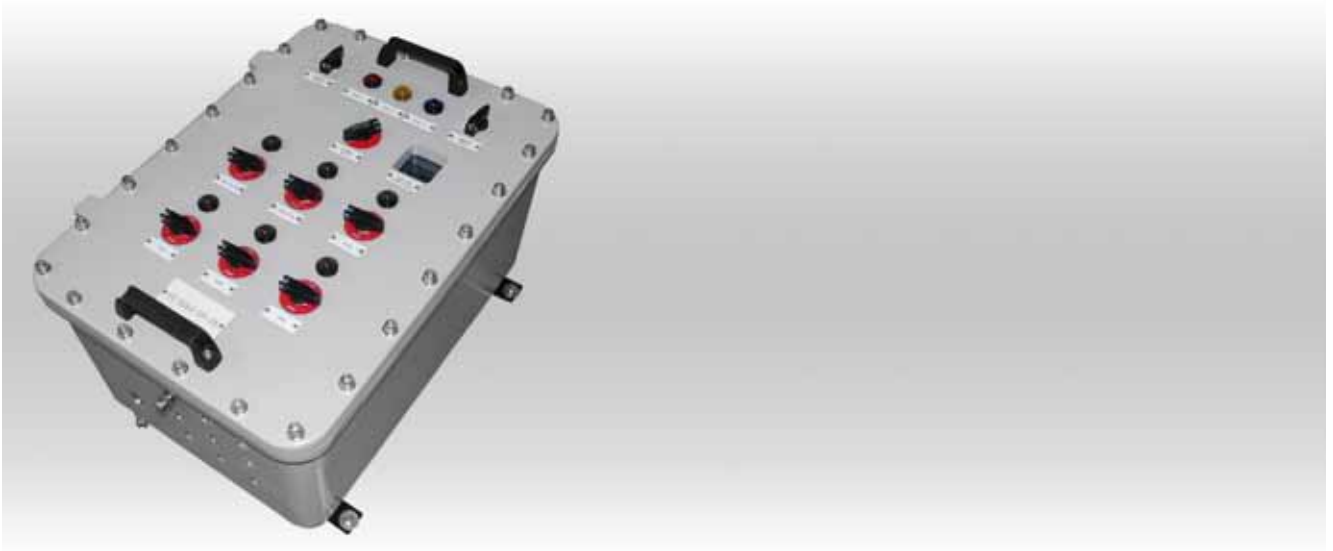


Lid machining areas

Type	Machining area E x F (mm)	max. quantity of devices $\varnothing 30$ mm
EJB 21 INX	200 x 155	12
EJB 22 INX	240 x 120	15
EJB 30 INX	305 x 205	30
EJB 31 INX	305 x 205	30
EJB 51 INX	465 x 265	54
EJB 61 INX	575 x 370	56
EJB 63 INX	575 x 370	56
EJB 91 INX	800 x 500	54



Ex d II C Aluminium enclosures EJC



- + Flameproof aluminium enclosures for utilization with non Ex-approved electrical components
- + II C version

Included in delivery

Enclosure system consisting of base and lid with screws, external earth connection, hinge, mounting plate and external brackets

Technical datas

Explosion protection	II 2G Ex db IIC T3...T6 II 2(1/2)G Ex db [ia/ib] IIC T6 II 2D Ex tb IIIC T85°C...T150°C II 2D Ex tb [ia/ib] IIIC T85°C
Material	Copper free aluminium
Ingress protection	IP 66
Temperature range	-60°C to +80°C

Ex d II C Aluminium enclosures EJC

Product overview

Ex d II C		Dimensions H x W x D (mm)	Weight (g)
Order no.	Product type		
40.00 30 02	EJC-21	285 x 245 x 170	11000
40.00 30 04	EJC-30	415 x 315 x 155	19000
40.00 30 05	EJC-31	415 x 315 x 238	21000
40.00 30 06	EJC-51	566 x 366 x 252	37000
40.00 30 07	EJC-61	570 x 470 x 356	58000
40.00 30 08	EJC-63	670 x 470 x 229	48000

Terminal mounting

Make	Phoenix Contact											
DIN rail	TS 35	TS 35	TS 35	TS 35	TS 35	TS 35	TS 35					
Nominal cross section (mm ²)	2,5	6	10	16	35	50	240					
Voltage (V)	690	690	690	690	690	690	1100					
Terminal width (mm)	5,2	8,2	10,2	12,2	16,2	20	36					
Terminal type												
Enclosure type	UT 2,5	UT 6	UT 10	UT 16	UT 35	UKH 50	UKH 240					
40.00 30 02	30	20	14	12	8	6	1					
40.00 30 04	104	64	48	40	28	12	4					
40.00 30 05	104	64	48	40	28	12	4					
40.00 30 06	160	92	72	60	44	36	6					
40.00 30 07	276	174	138	114	28	52	12					
40.00 30 08	276	174	138	114	28	52	12					

Other supplier on request

Ex d II C Aluminium enclosures EJC

Technical details



Order no.	Product type	Dimensions H x W x D (mm)
40.00 30 02	EJC-21	285 x 245 x 170

Maximum number of cable glands to DIN 50262



M	Side		NPT	Side	
	A/B	C/D		A/B	C/D
12			1/2	6	8
16			3/4	3	4
20	6	8	1	3	3
25	3	4	1 1/3	2	3
32	3	3	1 1/2	2	2
40	2	3	2	1	2
50	2	2	2 1/2	1	2
63	1	2	3		
75	1	2			
85					



Order no.	Product type	Dimensions H x W x D (mm)
40.00 30 04	EJC-30	415 x 315 x 155

Maximum number of cable glands to DIN 50262



M	Side		NPT	Side	
	A/B	C/D		A/B	C/D
12			1/2	5	7
16			3/4	4	6
20	5	7	1	4	5
25	4	6	1 1/3	3	5
32	4	5	1 1/2		
40	3	5	2		
50			2 1/2		
63			3		
75					
85					



Order no.	Product type	Dimensions H x W x D (mm)
40.00 30 05	EJC-31	415 x 315 x 238

Maximum number of cable glands to DIN 50262



M	Side		NPT	Side	
	A/B	C/D		A/B	C/D
12			1/2	15	21
16			3/4	12	18
20	15	21	1	9	14
25	12	18	1 1/3	8	11
32	9	14	1 1/2	6	8
40	8	11	2	4	6
50	6	8	2 1/2	2	3
63	4	6	3	1	2
75	2	3			
85	1	2			

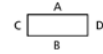
Ex d II C Aluminium enclosures EJC

Technical details



Order no.	Product type	Dimensions H x W x D (mm)
40.00 30 06	EJC-51	566 x 366 x 252

Maximum number of cable glands to DIN 50262



M	Side		NPT	Side	
	A/B	C/D		A/B	C/D
12			1/2	18	33
16			3/4	14	26
20	18	33	1	8	16
25	14	26	1 1/3	8	14
32	8	16	1 1/2	6	12
40	8	14	2	4	7
50	6	12	2 1/2	2	4
63	4	7	3	2	3
75	2	4			
85	2	3			



Order no.	Product type	Dimensions H x W x D (mm)
40.00 30 07	EJC-61	570 x 470 x 356

Maximum number of cable glands to DIN 50262



M	Side		NPT	Side	
	A/B	C/D		A/B	C/D
12			1/2	40	60
16			3/4	24	40
20	40	60	1	18	27
25	24	40	1 1/3	15	24
32	18	27	1 1/2	8	14
40	15	24	2	8	14
50	8	14	2 1/2	6	10
63	8	14	3	6	8
75	6	10			
85	6	8			



Order no.	Product type	Dimensions H x W x D (mm)
40.00 30 08	EJC-63	670 x 470 x 229

Maximum number of cable glands to DIN 50262

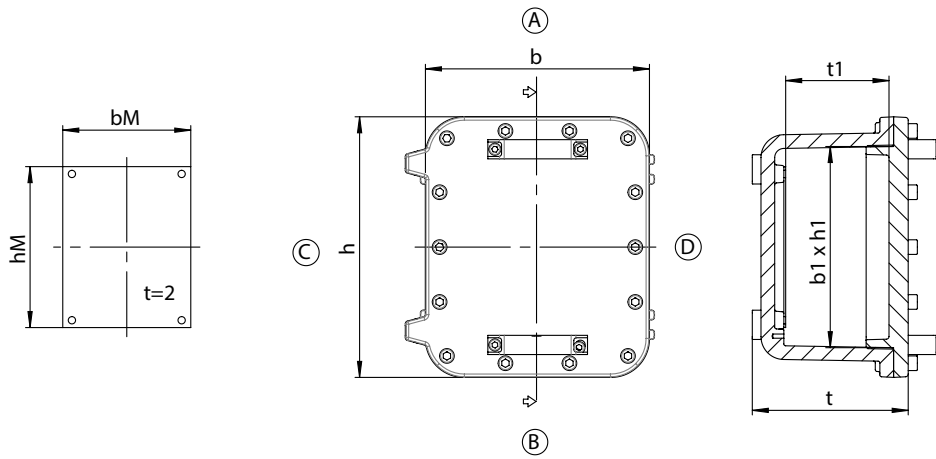


M	Side		NPT	Side	
	A/B	C/D		A/B	C/D
12			1/2	23	35
16			3/4	12	20
20	23	35	1	12	18
25	12	20	1 1/3	9	15
32	12	18	1 1/2	6	10
40	9	15	2	4	7
50	6	10	2 1/2	3	5
63	4	7	3	3	4
75	3	5			
85	3	4			

Ex d II C Aluminium enclosures EJC

Technical details

Order no.	b	h	t	b1	h1	t1	bM	hM
40.00 30 02	245	285	170	215	265	118	140	180
40.00 30 04	315	415	155	245	345	94	200	300
40.00 30 05	315	415	238	245	345	176	200	300
40.00 30 06	366	566	252	300	500	189	260	460
40.00 30 07	470	670	356	390	590	290	350	560
40.00 30 08	470	670	229	390	590	157	350	560



Detail drawings see www.rose-pw.de

Ex d II C Aluminium enclosure GUB



- + Ex d flame proof enclosures from material aluminium for installation of non Ex approved equipment
- + Possible connection with Ex e terminal enclosures
- + II C version

Included in delivery

Enclosure system consisting of base and lid, external earth connection and mounting plate

Technical datas

Explosion protection	Ex II 2G Ex db IIC T3...T6 Ex II 2(1/2) GD Ex d [ia/ib] IIC T6 Ex 2D Ex tb IIIC T85°C...T200°C Ex II 2D Ex tb IIIC T85°C
Material	copper free aluminium (CU < 0,1 %)
Colour	RAL 9006, white aluminium
Ingress protection	IP 66 to EN 60529
Temperature range	-60°C to +80°C

Ex d II C Aluminium enclosure GUB

Product overview

Ex d II C		Dimensions H x W x D (mm)	Version	Weight (g)
Order no.	Product type			
40.00 22 01	GUE 1	135 x 135 x 108		2000
40.00 22 02	GUB 0	168 x 168 x 140		3500
40.00 22 03	GUB 1	198 x 198 x 150		5000
40.00 22 05	GUB 03	280 x 305 x 225		10500
40.00 22 06	GUB 23	270 x 310 x 180		10500
40.00 22 07	GUB 4	420 x 420 x 284		30000
40.00 22 08	GUB 5	600 x 600 x 334		77000
40.00 22 09	GUBW 1	198 x 198 x 150	with window	6500
40.00 22 11	GUBW 03	280 x 305 x 298	with window	18000

Terminal mounting

Make	Phoenix Contact											
DIN rail	TS 35	TS 35	TS 35	TS 35	TS 35	TS 35	TS 35					
Nominal cross section (mm ²)	2,5	6	10	16	35	50	240					
Voltage (V)	690	690	690	690	690	690	1100					
Terminal width (mm)	5,2	8,2	10,2	12,2	16,2	20	36					
Terminal type												
Enclosure type	UT 2,5	UT 6	UT 10	UT 16	UT 35	UKH 50	UKH 240					
40.00 22 01	8	4	4	2	2							
40.00 22 02	12	6	6	4	4	2						
40.00 22 03	20	10	10	6	6	4	1					
40.00 22 05	34	20	18	14	10	8	4					
40.00 22 06	26	16	14	12	8	6	1					
40.00 22 07	96	56	48	40	24	20	4					
40.00 22 08	192	60	108	90	33	48	12					
40.00 22 09	16	10	8	8	6	4						
40.00 22 11	34	20	18	14	10	8	4					

Other supplier on request

Ex d II C Aluminium enclosure GUB

Technical details



Order no.	Product type	Dimensions H x W x D (mm)
40.00 22 01	GUE 1	135 x 135 x 108

Maximum number of cable glands to DIN 50262



M	Side		NPT	Side	
	A/B	C/D		A/B	C/D
12			1/2	2	2
16			3/4	1	1
20	2	2	1	1	1
25	1	1	1 1/3	1	1
32	1	1	1 1/2		
40	1	1	2		
50			2 1/2		
63			3		
75					
85					



Order no.	Product type	Dimensions H x W x D (mm)
40.00 22 02	GUB 0	168 x 168 x 140

Maximum number of cable glands to DIN 50262



M	Side		NPT	Side	
	A/B	C/D		A/B	C/D
12			1/2	6	6
16			3/4	3	3
20	6	6	1	2	2
25	3	3	1 1/3	2	2
32	2	2	1 1/2	1	1
40	2	2	2	1	1
50	1	1	2 1/2	1	1
63	1	1	3		
75	1	1			
85					



Order no.	Product type	Dimensions H x W x D (mm)
40.00 22 03	GUB 1	198 x 198 x 150

Maximum number of cable glands to DIN 50262



M	Side		NPT	Side	
	A/B	C/D		A/B	C/D
12			1/2	6	6
16			3/4	3	3
20	6	6	1	3	3
25	3	3	1 1/3	2	2
32	3	3	1 1/2	2	2
40	2	2	2	1	1
50	2	2	2 1/2	1	1
63	1	1	3		
75	1	1			
85					

Ex d II C Aluminium enclosure GUB

Technical details



Order no.	Product type	Dimensions H x W x D (mm)
40.00 22 05	GUB 03	280 x 305 x 225

Maximum number of cable glands to DIN 50262



M	Side		NPT	Side	
	A/B	C/D		A/B	C/D
12			1/2	15	12
16			3/4	11	9
20	15	12	1	9	8
25	11	9	1 1/3	8	6
32	9	8	1 1/2	6	6
40	8	6	2	4	3
50	6	6	2 1/2	2	2
63	4	3	3	2	2
75	2	2			
85	2	2			



Order no.	Product type	Dimensions H x W x D (mm)
40.00 22 06	GUB 23	270 x 310 x 180

Maximum number of cable glands to DIN 50262



M	Side		NPT	Side	
	A/B	C/D		A/B	C/D
12			1/2	11	9
16			3/4	10	8
20	11	9	1	8	8
25	10	8	1 1/3	6	5
32	8	8	1 1/2	4	3
40	6	5	2	3	3
50	4	3	2 1/2	2	2
63	3	3	3		
75	2	2			
85					



Order no.	Product type	Dimensions H x W x D (mm)
40.00 22 07	GUB 4	420 x 420 x 284

Maximum number of cable glands to DIN 50262



M	Side		NPT	Side	
	A/B	C/D		A/B	C/D
12			1/2	23	23
16			3/4	18	18
20	23	23	1	14	14
25	18	18	1 1/3	11	11
32	14	14	1 1/2	10	10
40	11	11	2	7	7
50	10	10	2 1/2	4	4
63	7	7	3	3	3
75	4	4			
85	3	3			

Ex d II C Aluminium enclosure GUB

Technical details



Order no.	Product type	Dimensions H x W x D (mm)
40.00 22 08	GUB 5	600 x 600 x 334

Maximum number of cable glands to DIN 50262



M	Side		NPT	Side	
	A/B	C/D		A/B	C/D
12			1/2	45	45
16			3/4	36	36
20	45	45	1	27	27
25	36	36	1 1/3	24	24
32	27	27	1 1/2	18	18
40	24	24	2	12	12
50	18	18	2 1/2	6	6
63	12	12	3	3	3
75	6	6			
85	3	3			



Order no.	Product type	Dimensions H x W x D (mm)
40.00 22 09	GUBW 1	198 x 198 x 150

Maximum number of cable glands to DIN 50262



M	Side		NPT	Side	
	A/B	C/D		A/B	C/D
12			1/2	6	6
16			3/4	4	4
20	6	6	1	3	3
25	4	4	1 1/3	2	2
32	3	3	1 1/2	2	2
40	2	2	2	1	1
50	2	2	2 1/2		
63	1	1	3		
75					
85					



Order no.	Product type	Dimensions H x W x D (mm)
40.00 22 11	GUBW 03	280 x 305 x 298

Maximum number of cable glands to DIN 50262

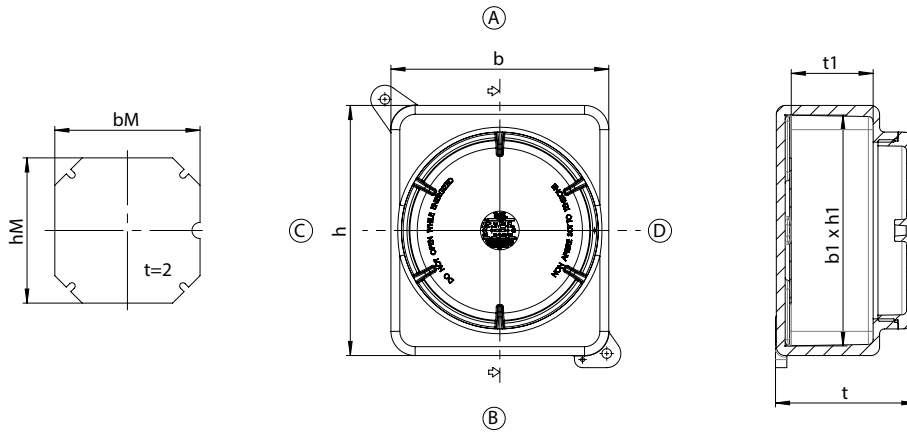


M	Side		NPT	Side	
	A/B	C/D		A/B	C/D
12			1/2	15	12
16			3/4	11	9
20	15	12	1	9	8
25	11	9	1 1/3	8	6
32	9	8	1 1/2	6	6
40	8	6	2	4	3
50	6	6	2 1/2	4	2
63	4	3	3	2	2
75	4	2			
85	2	2			

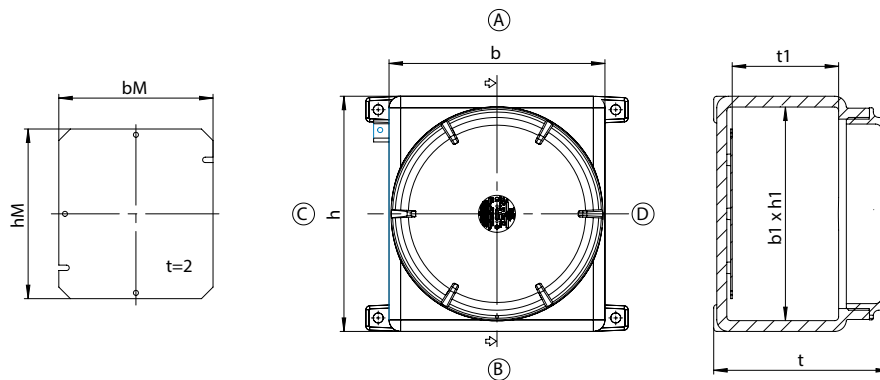
Ex d II C Aluminium enclosure GUB

Technical details

Order no.	b	h	t	b1	h1	t1	bM	hM
40.00 22 01	135	135	108	110	110	45	Ø 90	
40.00 22 02	168	168	140	140	140	80	110	110
40.00 22 03	198	198	150	170	170	90	150	150
40.00 22 06	270	310	180	243	280	102	180	180



Order no.	b	h	t	b1	h1	t1	bM	hM
40.00 22 05	280	305	225	248	273	125	200	220
40.00 22 07	420	420	284	390	390	130	280	280
40.00 22 08	600	600	334	550	550	210	490	490

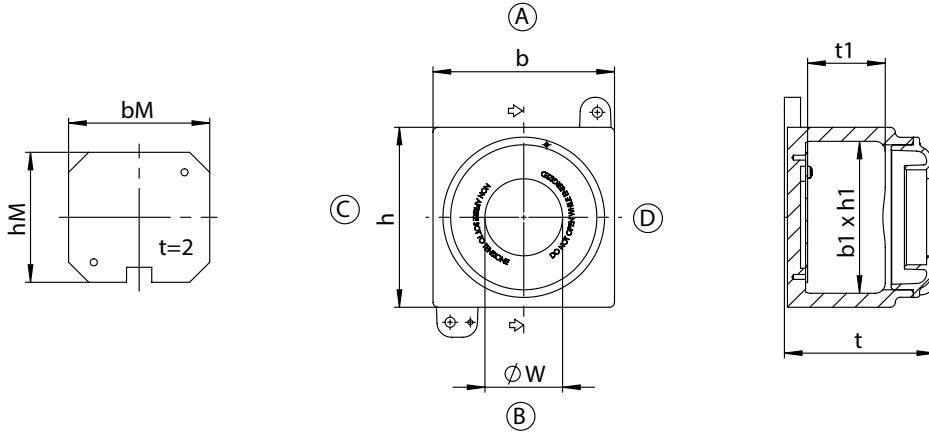


Detail drawings see www.rose-pw.de

Ex d II C Aluminium enclosure GUB

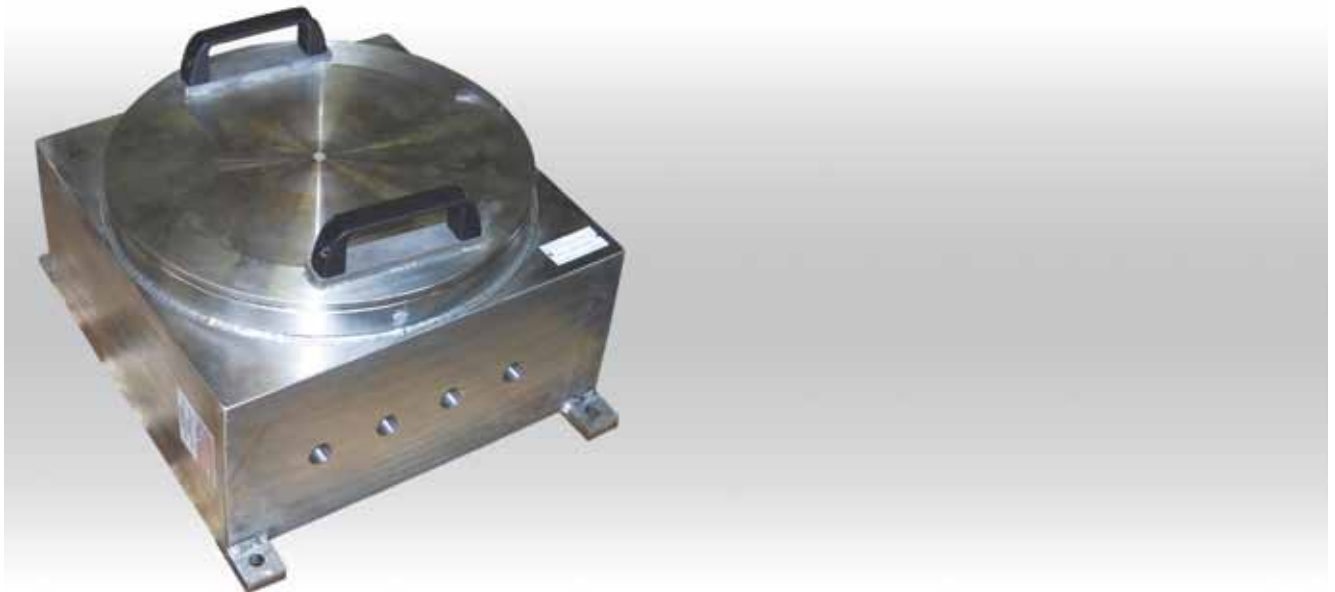
Technical details

Order no.	b	h	t	b1	h1	t1	w	bM	hM
40.00 22 09	198	198	150	170	170	90	90	150	150
40.00 22 11	280	305	298	248	273	125	195	200	220



Detail drawings see www.rose-pw.de

Ex d II C Stainless steel enclosure GUB INX



- + Ex d Flame proof enclosures from material stainless steel for installation of non Ex approved equipment
- + Possible connection with Ex e terminal enclosures
- + II C version

Included in delivery

Enclosure system consisting of base and lid, mounting plate and external earth connection. Please order Ex e connection department separately

Technical datas

Explosion protection	Ex II 2G Ex db IIC T3...T6 Ex II 2(1/2) GD Ex d [ia/ib] IIC T6 Ex II 2D Ex tb IIIC T85°C...T200°C Ex II 2D Ex tb IIIC T85°C
Material	Stainless steel AISi 316L
Ingress protection	IP 66 to EN 60529
Temperature range	-60°C to +80°C

Ex d II C Stainless steel enclosure GUB INX

Product overview

Ex d II C		Dimensions H x W x D (mm)	Version	Weight (g)
Order no.	Product type			
40.00 23 01	GUE 1 INX	135 x 135 x 93		10000
40.00 23 02	GUB 0 INX	170 x 170 x 148		18500
40.00 23 03	GUB 1 INX	200 x 200 x 170		33500
40.00 23 05	GUB 03 INX	305 x 280 x 230		74000
40.00 23 06	GUB 23 INX	270 x 310 x 175		74000
40.00 23 07	GUB 4 INX	420 x 420 x 244		130000
40.00 23 08	GUB 5 INX	600 x 600 x 330		200000
40.00 23 09	GUBW 1 INX	200 x 200 x 170	with window	33500
40.00 23 11	GUBW 3 INX	305 x 280 x 230	with window	74000

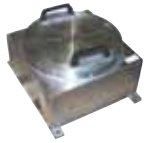
Terminal mounting

Make	Phoenix Contact											
	TS 35	TS 35	TS 35	TS 35	TS 35	TS 35	TS 35					
DIN rail	TS 35	TS 35	TS 35	TS 35	TS 35	TS 35	TS 35					
Nominal cross section (mm ²)	2,5	6	10	16	35	50	240					
Voltage (V)	690	690	690	690	690	690	1100					
Terminal width (mm)	5,2	8,2	10,2	12,2	16,2	20	36					
Terminal type												
Enclosure type	UT 2,5	UT 6	UT 10	UT 16	UT 35	UKH 50	UKH 240					
40.00 23 01	8	4	4	2	2							
40.00 23 02	12	6	6	4	4	2						
40.00 23 03	20	10	10	6	6	4	1					
40.00 23 05	34	20	18	14	10	8	4					
40.00 23 06	26	16	14	12	8	6	1					
40.00 23 07	96	56	48	40	24	20	4					
40.00 23 08	192	120	108	90	33	48	12					
40.00 23 09	20	10	10	6	6	4	1					
40.00 23 11	34	20	18	14	10	8	4					

Other supplier on request

Ex d II C Stainless steel enclosure GUB INX

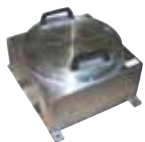
Technical details



Order no.	Product type	Dimensions H x W x D (mm)
40.00 23 01	GUE 1 INX	135 x 135 x 93

Maximum number of cable glands to DIN 50262

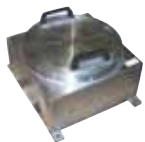
M	Side		NPT	Side	
	A/B	C/D		A/B	C/D
12			1/2	2	2
16			3/4	1	1
20	2	2	1	1	1
25	1	1	1 1/3	1	1
32	1	1	1 1/2		
40	1	1	2		
50			2 1/2		
63			3		
75					
85					



Order no.	Product type	Dimensions H x W x D (mm)
40.00 23 02	GUB 0 INX	170 x 170 x 148

Maximum number of cable glands to DIN 50262

M	Side		NPT	Side	
	A/B	C/D		A/B	C/D
12			1/2	6	6
16			3/4	3	3
20	6	6	1	2	2
25	3	3	1 1/3	2	2
32	2	2	1 1/2	1	1
40	2	2	2	1	1
50	1	1	2 1/2	1	1
63	1	1	3		
75	1	1			
85					



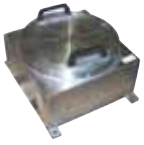
Order no.	Product type	Dimensions H x W x D (mm)
40.00 23 03	GUB 1 INX	200 x 200 x 170

Maximum number of cable glands to DIN 50262

M	Side		NPT	Side	
	A/B	C/D		A/B	C/D
12			1/2	6	6
16			3/4	3	3
20	6	6	1	3	3
25	3	3	1 1/3	2	2
32	3	3	1 1/2	2	2
40	2	2	2	1	1
50	2	2	2 1/2	1	1
63	1	1	3		
75	1	1			
85					

Ex d II C Stainless steel enclosure GUB INX

Technical details

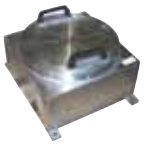


Order no.	Product type	Dimensions H x W x D (mm)
40.00 23 05	GUB 03 INX	305 x 280 x 230

Maximum number of cable glands to DIN 50262



M	Side		NPT	Side	
	A/B	C/D		A/B	C/D
12			1/2	15	12
16			3/4	11	9
20	15	12	1	9	8
25	11	9	1 1/3	8	6
32	9	8	1 1/2	6	6
40	8	6	2	4	3
50	6	6	2 1/2	2	2
63	4	3	3	2	2
75	2	2			
85	2	2			

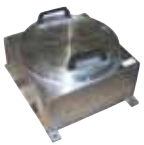


Order no.	Product type	Dimensions H x W x D (mm)
40.00 23 06	GUB 23 INX	270 x 310 x 175

Maximum number of cable glands to DIN 50262



M	Side		NPT	Side	
	A/B	C/D		A/B	C/D
12			1/2	11	9
16			3/4	10	8
20	11	9	1	8	8
25	10	8	1 1/3	6	5
32	8	8	1 1/2	4	3
40	6	5	2	3	3
50	4	3	2 1/2	2	2
63	3	3	3		
75	2	2			
85					



Order no.	Product type	Dimensions H x W x D (mm)
40.00 23 07	GUB 4 INX	420 x 420 x 244

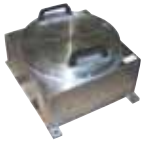
Maximum number of cable glands to DIN 50262



M	Side		NPT	Side	
	A/B	C/D		A/B	C/D
12			1/2	23	23
16			3/4	18	18
20	23	23	1	14	14
25	18	18	1 1/3	11	11
32	14	14	1 1/2	10	10
40	11	11	2	7	7
50	10	10	2 1/2	4	4
63	7	7	3	3	3
75	4	4			
85	3	3			

Ex d II C Stainless steel enclosure GUB INX

Technical details

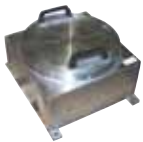


Order no.	Product type	Dimensions H x W x D (mm)
40.00 23 08	GUB 5 INX	600 x 600 x 330

Maximum number of cable glands to DIN 50262



M	Side		NPT	Side	
	A/B	C/D		A/B	C/D
12			1/2	45	45
16			3/4	36	36
20	45	45	1	27	27
25	36	36	1 1/3	24	24
32	27	27	1 1/2	18	18
40	24	24	2	12	12
50	18	18	2 1/2	6	6
63	12	12	3	3	3
75	6	6			
85	3	3			

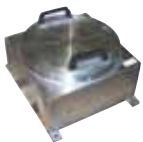


Order no.	Product type	Dimensions H x W x D (mm)
40.00 23 09	GUBW 1 INX	200 x 200 x 170

Maximum number of cable glands to DIN 50262



M	Side		NPT	Side	
	A/B	C/D		A/B	C/D
12			1/2	6	6
16			3/4	3	3
20	6	6	1	3	3
25	3	3	1 1/3	2	2
32	3	3	1 1/2	2	2
40	2	2	2	1	1
50	2	2	2 1/2	1	1
63	1	1	3		
75	1	1			
85					



Order no.	Product type	Dimensions H x W x D (mm)
40.00 23 11	GUBW 3 INX	305 x 280 x 230

Maximum number of cable glands to DIN 50262

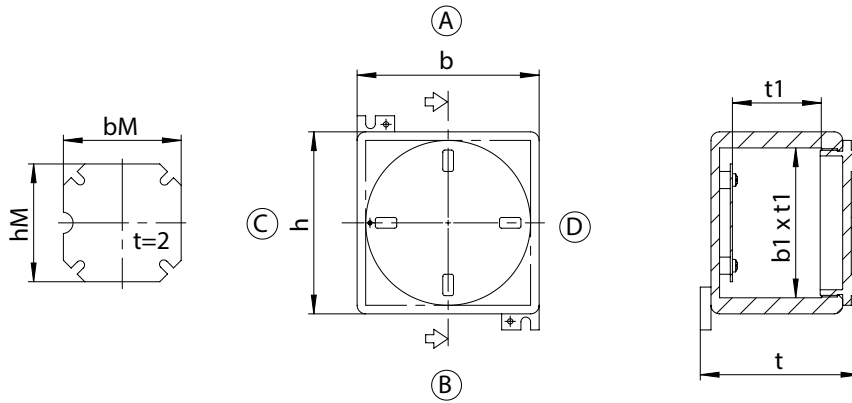


M	Side		NPT	Side	
	A/B	C/D		A/B	C/D
12			1/2	15	12
16			3/4	11	9
20	15	12	1	9	8
25	11	9	1 1/3	8	6
32	9	8	1 1/2	6	6
40	8	6	2	4	3
50	6	6	2 1/2	2	2
63	4	3	3	2	2
75	2	2			
85	2	2			

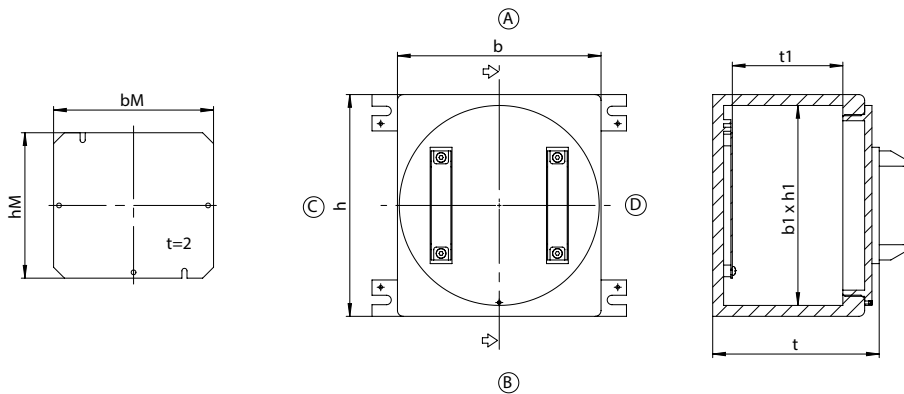
Ex d II C Stainless steel enclosure GUB INX

Technical details

Order no.	b	h	t	b1	h1	t1	bM	hM
40.00 23 01	135	135	108	110	110	45	Ø 90	
40.00 23 02	170	170	148	140	140	80	110	110
40.00 23 03	200	200	170	170	170	100	150	150
40.00 23 06	310	270	175	290	250	110	180	180



Order no.	b	h	t	b1	h1	t1	bM	hM
40.00 23 05	280	305	230	250	275	145	200	220
40.00 23 07	420	420	244	390	390	130	280	280
40.00 23 08	600	600	330	550	550	205	490	490

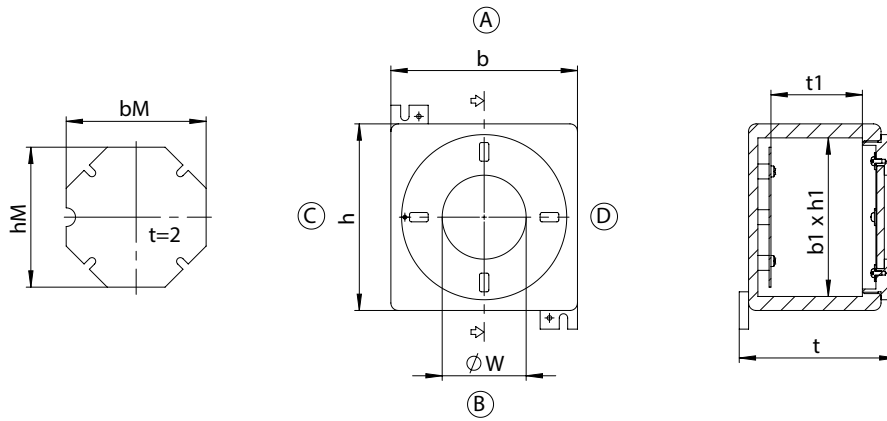


Detail drawings see www.rose-pw.de

Ex d II C Stainless steel enclosure GUB INX

Technical details

Order no.	b	h	t	b1	h1	t1	bM	hM
40.00 23 09	200	200	170	170	170	100	150	150
40.00 23 11	280	305	230	250	275	145	200	220



Detail drawings see www.rose-pw.de



- + Ex d Instrumentation enclosures with window for installation of display instruments
- + Material: Aluminium
- + II C version

Included in delivery

Enclosure system consisting of base and lid and external earth connection

Technical datas

Explosion protection	II 2G Ex d IIC T6/T5 Ex II 2D Ex tD A21 T85°C/ T100°C
Material	copper free aluminium (CU < 0,1 %)
Colour	RAL 9006, white aluminium
Ingress protection	IP 66 to EN 60529
Temperature range	-40°C to +60°C

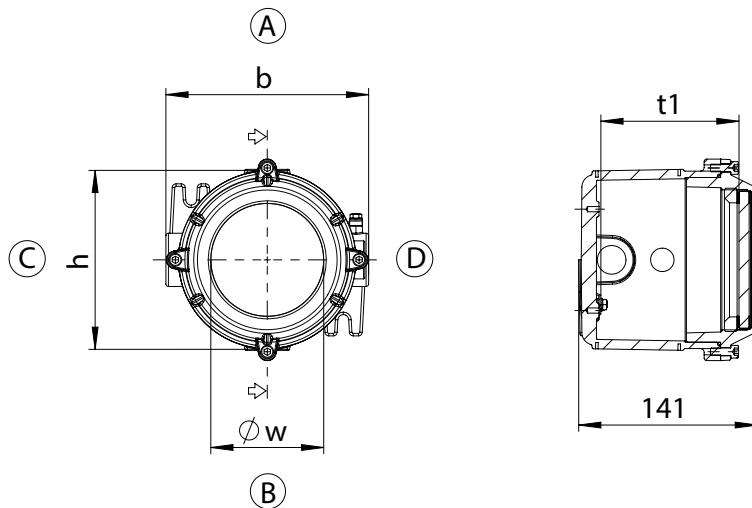
Ex d II C Instrumentation enclosures EMH9

Product overview

Ex d II C		Dimensions H x W x D (mm)	Number of threads	Weight (g)
Order no.	Product type			
40.00 25 01	EMH 9.2	160 x 160 x 131	1 x 3/4"	1500
40.00 25 02	EMH 9.22	160 x 160 x 131	2 x 3/4"	1500
40.00 25 03	EMH 9.2V	160 x 160 x 131	1 x 3/4"	1500
40.00 25 04	EMH 9.22V	160 x 160 x 131	2 x 3/4"	1500

Technical details

Order no.	b	h	t	t1	w
XX.00 25 01	160	160	131	101	89
XX.00 25 02	160	160	131	101	89
XX.00 25 03	160	160 </td <td>131</td> <td>101</td> <td>89</td>	131	101	89
XX.00 25 04	160	160	131	101	89



Detail drawings see www.rose-pw.de

Ex d II C Junction and distribution enclosures GUA-EAHF



- + Ex d junction and distribution enclosures for installation of terminals
- + Material: Aluminium
- + II C version

Included in delivery

Enclosure system consisting of base and lid, mounting plate and external earth connection

Technical datas

Explosion protection	II 2G Ex d IIC T6...T3 Gb II 2D Ex tb IIIC T85°C/ T150°C Db
Material	copper free aluminium (CU < 0,1 %)
Colour	RAL 9006, white aluminium
Ingress protection	IP 65 to EN 60529
Temperature range	-60°C to +130°C

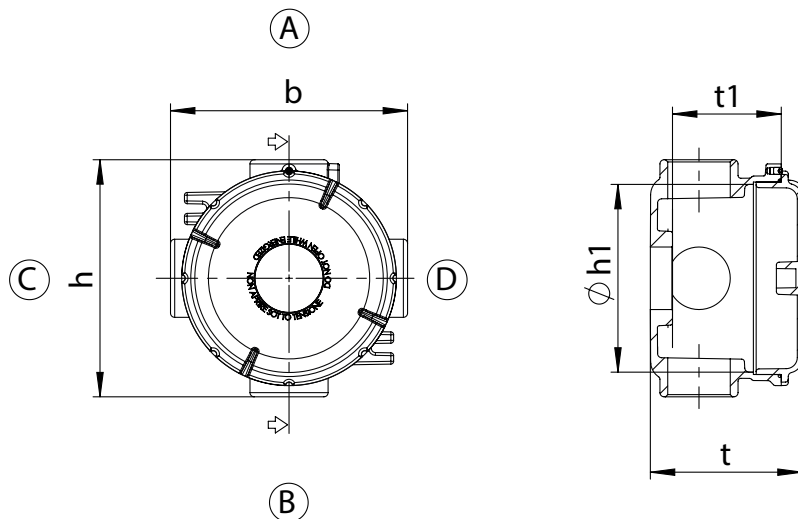
Ex d II C Junction and distribution enclosures GUA-EAHF

Product overview

Ex d II C		Dimensions H x W x D (mm)	Weight (g)
Order no.	Product type		
40.00 26 01	GUA 16	100 x 100 x 75	600
40.00 26 03	GUA 26	100 x 100 x 75	600
40.00 26 05	GUA 36	100 x 100 x 75	600
40.00 26 02	GUA 17	130 x 130 x 79	900
40.00 26 04	GUA 27	130 x 130 x 79	900
40.00 26 06	GUA 37	130 x 130 x 79	900
40.00 26 07	GUA 59	169 x 169 x 110	1200
40.00 26 08	GUA 69	169 x 169 x 110	1200
40.00 26 09	EAHF 26	110 x 110 x 79	500

Technical details

Order no.	b	h	h1	t	t1															
40.00 26 01	100	100	77	75	40															
40.00 26 03	130	130	100	79	50															
40.00 26 05	100	100	77	75	40															
40.00 26 02	130	130	100	79	50															
40.00 26 04	100	100	77	75	40															
40.00 26 06	130	130 </tr <tr> <td>40.00 26 07</td> <td>169</td> <td>169</td> <td>135</td> <td>110</td> <td>75</td> </tr> <tr> <td>40.00 26 08</td> <td>169</td> <td>169</td> <td>135</td> <td>110</td> <td>75</td> </tr> <tr> <td>40.00 26 09</td> <td>110</td> <td>95</td> <td>77</td> <td>79</td> <td>61</td> </tr>	40.00 26 07	169	169	135	110	75	40.00 26 08	169	169	135	110	75	40.00 26 09	110	95	77	79	61
40.00 26 07	169	169	135	110	75															
40.00 26 08	169	169	135	110	75															
40.00 26 09	110	95	77	79	61															

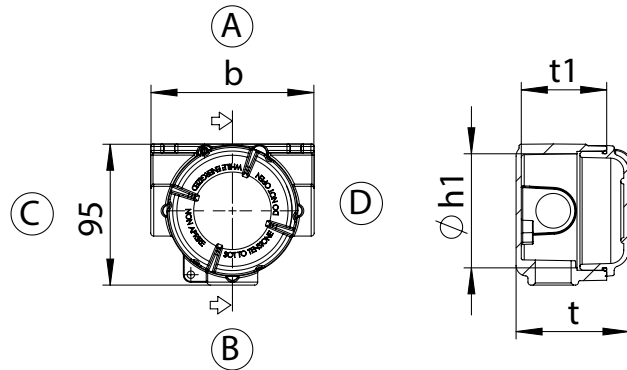


Detail drawings see www.rose-pw.de

Ex d II C Junction and distribution enclosures GUA-EAHF

Technical details

Order no.	b	h	h1	t	t1
40.00 26 09	110	95	77	79	61



Threads

	GUA 16	GUA 17	GUA 26	GUA 27	GUA 36	GUA 37	GUA 59	GUA 69	EAHF 26
GUAB 	2 x 1/2"	2 x 1/2"	2 x 3/4"	2 x 3/4"	2 x 1"	2 x 1"	2 x 1-1/2"	2 x 2"	
GUAL 	2 x 1/2"	2 x 1/2"	2 x 3/4"	2 x 3/4"	2 x 1"	2 x 1"	2 x 1-1/2"	2 x 2"	
GUAC 	2 x 1/2"	2 x 1/2"	2 x 3/4"	2 x 3/4"	2 x 1"	2 x 1"	2 x 1-1/2"	2 x 2"	
GUAT 	3 x 1/2"	3 x 1/2"	3 x 3/4"	3 x 3/4"	3 x 1"	3 x 1"	3 x 1-1/2"	3 x 2"	3 x 3/4"
GUAX 	4 x 1/2"	4 x 1/2"	4 x 3/4"	4 x 3/4"	4 x 1"	4 x 1"	4 x 1-1/2"	4 x 2"	
GUAW 	4 x 1/2"	4 x 1/2"	4 x 3/4"	4 x 3/4"	4 x 1"	4 x 1"	4 x 1-1/2"	4 x 2"	
GUAD 	3 x 1/2"	3 x 1/2"	3 x 3/4"	3 x 3/4"	3 x 1"	3 x 1"	3 x 1-1/2"	3 x 2"	

Ex d II B Control Stations EFG



- + Ex d Control Stations for individual fitting with switches, push button and for selector switches
- + Material: Aluminium
- + II B version



Included in delivery

Enclosure system consisting of base and lid, mounting plate and external earth connection

Technical datas

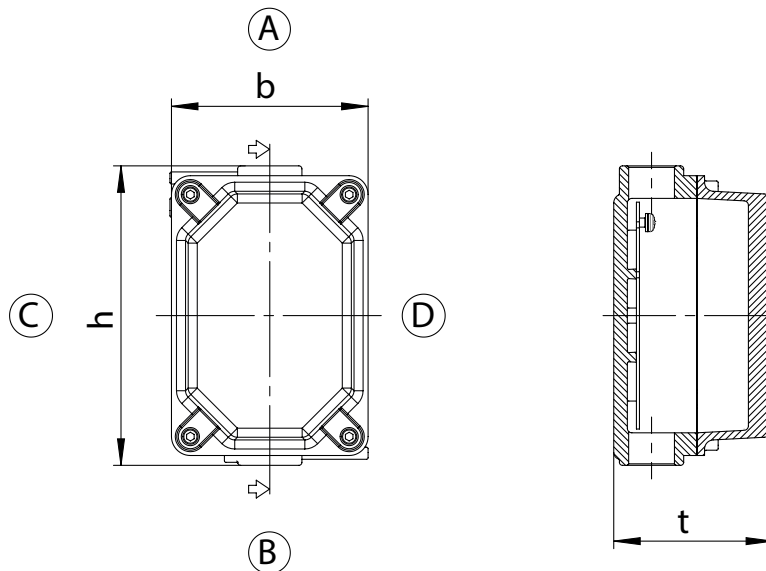
Explosion protection	II 2G Ex d II B T5/T6 Gb II 2D Ex tb IIIC T85°C/100°C Db
Material	copper free aluminium (CU < 0,1 %)
Colour	RAL 9006, white aluminium
Ingress protection	IP 65 to EN 60529
Temperature range	-60°C to +60°C

Product overview

Ex d II B		Dimensions H x W x D (mm)	Weight (g)
Order no.	Product type		
40.00 27 01	EFG 6	195 x 130 x 100	3200

Technical details

Order no.	b	h	t
40.00 27 01	130	195	100



Ex d II B Selector switch stations EFSC218 M310



- + Ex d Enclosure with 1 or 2 selector switches
- + Ex d Enclosure with 3 pole fuse switch with 1 or 2 fuses
- + II B version

Included in delivery

Enclosure system consisting of base and lid, switches, mounting plate and external earth connection

Technical datas

Explosion protection	II 2G Ex d IIB T5/T6 Gb II 2D Ex tb IIIC T100°C Db
Material	copper free aluminium (CU < 0,1 %)
Colour	RAL 9006, white aluminium
Ingress protection	IP 65 to EN 60529
Temperature range	-60°C to +60°C

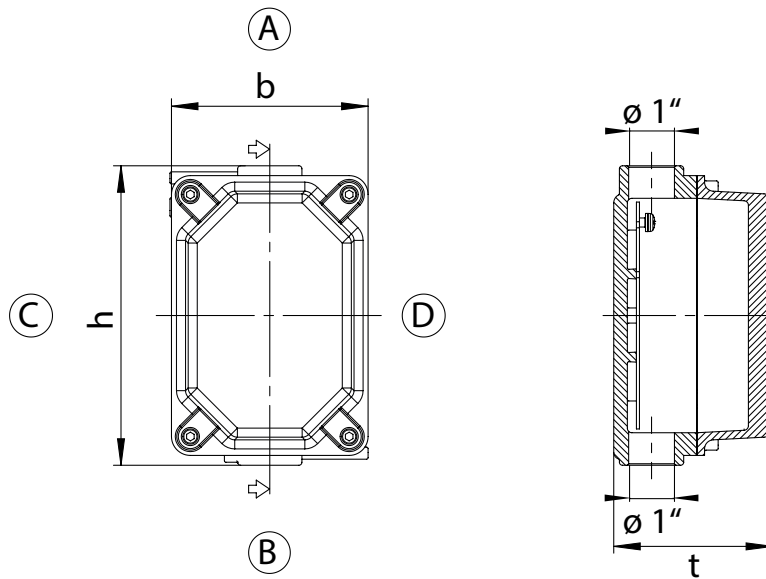
Ex d II B Selector switch stations EFSC218 M310

Product overview

Ex d II B	Product type	Dimensions H x W x D (mm)	Version	Weight (g)
40.00 27 10	EFSC218 M310	195 x 130 x 118	Selector switch, 2 switches, 500 V, 10 A	3450
40.00 27 11	EFSC218 M310L	195 x 130 x 118	Selector switch, 1 switch, 1 padlock switch 500 V, 10 A	3450
40.00 27 12	EFSC218 313V16	195 x 130 x 118	3 pole fuse switch 500 V, 2 x E16 delayed fuse, 16 A	3100
40.00 27 13	EFSC218 313V25	195 x 130 x 118	3 pole fuse switch 500 V, 2 x E25 delayed fuse, 25 A	3100

Technical details

Order no.	b	h	t
40.00 27 10	130	195	118
40.00 27 11	130	195	118
40.00 27 12	130	195	118
40.00 27 13	130	195	118



Ex d II B Circuit breaker and earth leakage circuit breaker stations EFSC218 GUS



- + Ex d enclosures with circuit breaker 415 V, 6 kA
- + Ex d enclosures with 2 to 4 pole execution for nominal currents 6-63 A
- + Ex d enclosures with earth leakage circuit breakers, 230/400 V, 300 mA 1 PH+N or 3 PH+N
- + II B version

Included in delivery

Enclosure system consisting of base and lid, switches, mounting plate and external earth connection

Technical datas

Explosion protection	II 2G Ex d II B T5/T6 Gb II 2D Ex tb IIIC T85°C/T100°C Db
Material	copper free aluminium (CU < 0,1 %)
Colour	RAL 9006, white aluminium
Ingress protection	IP 66 to EN 60529
Temperature range	-60°C to +60°C

Ex d II B Circuit breaker and earth leakage circuit breaker stations EFSC218 GUS

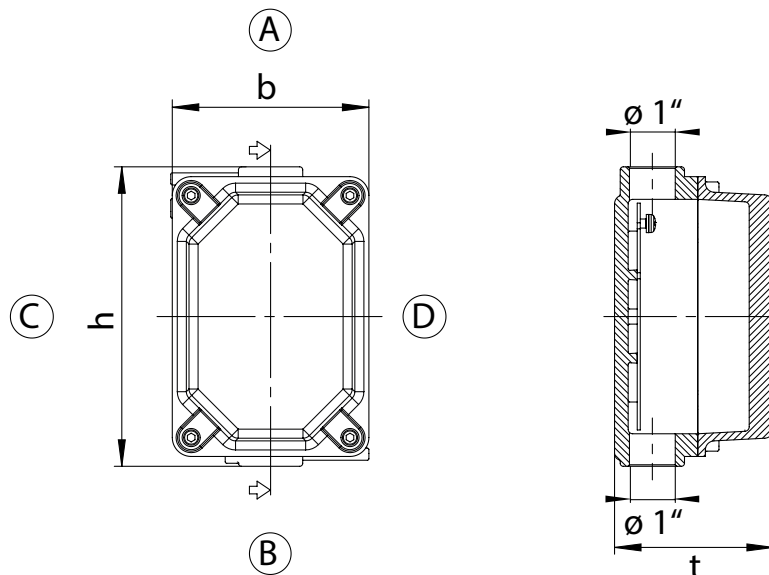
Product overview

Ex d II B		Dimensions H x W x D (mm)	Version	I/A	Weight (g)
Order no.	Product type				
40.00 27 14	EFSC218 GUSC 3206	195 x 130 x 118	Circuit breaker, 415 V, 6 kA, 2-pole	6 A	3100
40.00 27 15	EFSC218 GUSC 3210	195 x 130 x 118	Circuit breaker, 415 V, 6 kA, 2-pole	10 A	3100
40.00 27 16	EFSC218 GUSC 3216	195 x 130 x 118	Circuit breaker, 415 V, 6 kA, 2-pole	16 A	3100
40.00 27 17	EFSC218 GUSC 3220	195 x 130 x 118	Circuit breaker, 415 V, 6 kA, 2-pole	20 A	3100
40.00 27 18	EFSC218 GUSC 3225	195 x 130 x 118	Circuit breaker, 415 V, 6 kA, 2-pole	25 A	3100
40.00 27 19	EFSC218 GUSC 3232	195 x 130 x 118	Circuit breaker, 415 V, 6 kA, 2-pole	32 A	3100
40.00 27 20	EFSC218 GUSC 3240	195 x 130 x 118	Circuit breaker, 415 V, 6 kA, 2-pole	40 A	3100
40.00 27 21	EFSC218 GUSC 3250	195 x 130 x 118	Circuit breaker, 415 V, 6 kA, 2-pole	50 A	3100
40.00 27 22	EFSC218 GUSC 3263	195 x 130 x 118	Circuit breaker, 415 V, 6 kA, 2-pole	63 A	3100
40.00 27 23	EFSC218 GUSC 3306	195 x 130 x 118	Circuit breaker, 415 V, 6 kA, 3-pole	6 A	3100
40.00 27 24	EFSC218 GUSC 3310	195 x 130 x 118	Circuit breaker, 415 V, 6 kA, 3-pole	10 A	3100
40.00 27 25	EFSC218 GUSC 3316	195 x 130 x 118	Circuit breaker, 415 V, 6 kA, 3-pole	16 A	3100
40.00 27 26	EFSC218 GUSC 3320	195 x 130 x 118	Circuit breaker, 415 V, 6 kA, 3-pole	20 A	3100
40.00 27 27	EFSC218 GUSC 3325	195 x 130 x 118	Circuit breaker, 415 V, 6 kA, 3-pole	25 A	3100
40.00 27 28	EFSC218 GUSC 3332	195 x 130 x 118	Circuit breaker, 415 V, 6 kA, 3-pole	32 A	3100
40.00 27 29	EFSC218 GUSC 3340	195 x 130 x 118	Circuit breaker, 415 V, 6 kA, 3-pole	40 A	3100
40.00 27 30	EFSC218 GUSC 3350	195 x 130 x 118	Circuit breaker, 415 V, 6 kA, 3-pole	50 A	3100
40.00 27 31	EFSC218 GUSC 3363	195 x 130 x 118	Circuit breaker, 415 V, 6 kA, 3-pole	63 A	3100
40.00 27 32	EFSC218 GUSC 3406	195 x 130 x 118	Circuit breaker, 415 V, 6 kA, 4-pole	6 A	3100
40.00 27 33	EFSC218 GUSC 3410	195 x 130 x 118	Circuit breaker, 415 V, 6 kA, 4-pole	10 A	3100
40.00 27 34	EFSC218 GUSC 3416	195 x 130 x 118	Circuit breaker, 415 V, 6 kA, 4-pole	16 A	3100
40.00 27 35	EFSC218 GUSC 3420	195 x 130 x 118	Circuit breaker, 415 V, 6 kA, 4-pole	20 A	3100
40.00 27 36	EFSC218 GUSC 3425	195 x 130 x 118	Circuit breaker, 415 V, 6 kA, 4-pole	25 A	3100
40.00 27 37	EFSC218 GUSC 3432	195 x 130 x 118	Circuit breaker, 415 V, 6 kA, 4-pole	32 A	3100
40.00 27 38	EFSC218 GUSC 3440	195 x 130 x 118	Circuit breaker, 415 V, 6 kA, 4-pole	40 A	3100
40.00 27 39	EFSC218 GUSC 3450	195 x 130 x 118	Circuit breaker, 415 V, 6 kA, 4-pole	50 A	3100
40.00 27 40	EFSC218 GUSC 3463	195 x 130 x 118	Circuit breaker, 415 V, 6 kA, 4-pole	63 A	3100
40.00 27 41	EFSC218 GUSV 3225	195 x 130 x 118	Earth leakage circuit breaker, 230 V, 2-pole	25 A	3200
40.00 27 42	EFSC218 GUSV 3240	195 x 130 x 118	Earth leakage circuit breaker, 230 V, 2-pole	40 A	3200
40.00 27 43	EFSC218 GUSV 3425	195 x 130 x 118	Earth leakage circuit breaker, 400/230 V, 3-pole	25 A	3200
40.00 27 44	EFSC218 GUSV 3440	195 x 130 x 118	Earth leakage circuit breaker, 400/230 V, 3-pole	40 A	3200
40.00 27 45	EFSC218 GUSV 3463	195 x 130 x 118	Earth leakage circuit breaker, 400/230 V, 3-pole	63 A	3200

Ex d II B Circuit breaker and earth leakage circuit breaker stations EFSC218 GUS

Technical details

Order no.	b	h	t
40.00 27 14	130	195	118
40.00 27 15	130	195	118
40.00 27 16	130	195	118
40.00 27 17	130	195	118
40.00 27 18	130	195	118
40.00 27 19	130	195	118
40.00 27 20	130	195	118
40.00 27 21	130	195	118
40.00 27 22	130	195	118
40.00 27 23	130	195	118
40.00 27 24	130	195	118
40.00 27 25	130	195	118
40.00 27 26	130	195	118
40.00 27 27	130	195	118
40.00 27 28	130	195	118
40.00 27 29	130	195	118
40.00 27 30	130	195	118
40.00 27 31	130	195	118
40.00 27 32	130	195	118
40.00 27 33	130	195	118
40.00 27 34	130	195	118
40.00 27 35	130	195	118
40.00 27 36	130	195	118
40.00 27 37	130	195	118
40.00 27 38	130	195	118
40.00 27 39	130	195	118
40.00 27 40	130	195	118
40.00 27 41	130	195	118
40.00 27 42	130	195	118



Detail drawings see www.rose-pw.de

Ex d II B Thermal magnetic motor protection EFSC218 SMT



- + Ex d enclosures with thermal magnetic motor protection 415 V
- + Ex d enclosures with 2 to 4 pole execution for nominal currents 6-63 A
- + II B version

Included in delivery

Enclosure system consisting of base and lid, thermal magnetic motor protection, mounting plate and external earth connection

Technical datas

Explosion protection	II 2G Ex d IIB T5/T6 Gb II 2D Ex tb IIIC T85°C/T100°C Db
Material	copper free aluminium (CU < 0,1 %)
Colour	RAL 9006, white aluminium
Ingress protection	IP 66 to EN 60529
Temperature range	-60°C to +60°C

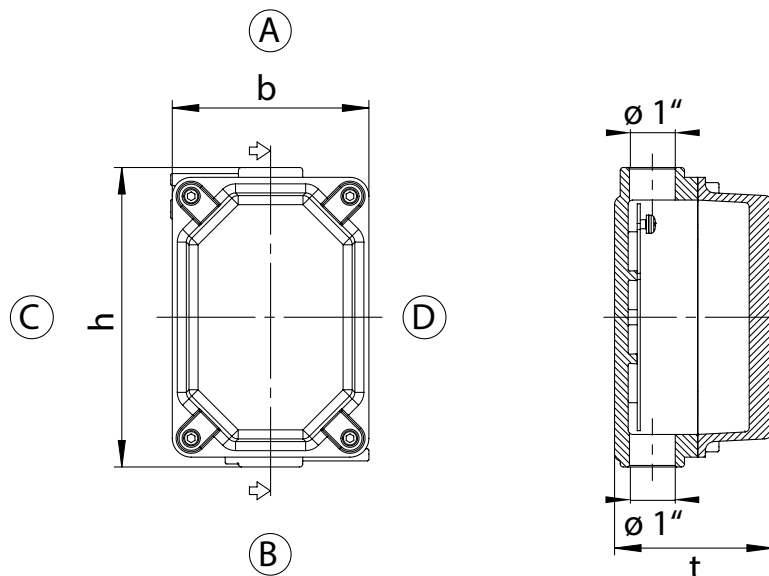
Ex d II B Thermal magnetic motor protection EFSC218 SMT

Product overview

Ex d II B	Dimensions H x W x D (mm)	Version	I/A	Weight (g)
Order no. Product type				
40.00 27 46 EFSC218 SMT 034	195 x 130 x 118	Thermal magnetic motor protection, 660 V	0,20 - 0,35 A	2900
40.00 27 47 EFSC218 SMT 036	195 x 130 x 118	Thermal magnetic motor protection, 660 V	0,35 - 0,6 A	2900
40.00 27 48 EFSC218 SMT 301	195 x 130 x 118	Thermal magnetic motor protection, 660 V	0,6 - 1 A	2900
40.00 27 49 EFSC218 SMT 302	195 x 130 x 118	Thermal magnetic motor protection, 660 V	1 - 1,6 A	2900
40.00 27 50 EFSC218 SMT 303	195 x 130 x 118	Thermal magnetic motor protection, 660 V	1,6 - 2,5 A	2900
40.00 27 51 EFSC218 SMT 304	195 x 130 x 118	Thermal magnetic motor protection, 660 V	2,5 - 4 A	2900
40.00 27 52 EFSC218 SMT 306	195 x 130 x 118	Thermal magnetic motor protection, 660 V	4 - 6,6 A	2900
40.00 27 53 EFSC218 SMT 310	195 x 130 x 118	Thermal magnetic motor protection, 660 V	6 - 10 A	2900
40.00 27 54 EFSC218 SMT 316	195 x 130 x 118	Thermal magnetic motor protection, 660 V	10 - 16 A	2900

Technical details

Order no.	b	h	t
40.00 27 46	130	195	118
40.00 27 47	130	195	118
40.00 27 48	130	195	118
40.00 27 49	130	195	118
40.00 27 50	130	195	118
40.00 27 51	130	195	118
40.00 27 52	130	195	118
40.00 27 53	130	195	118
40.00 27 54	130	195	118



Detail drawings see www.rose-pw.de



- + Control Station acc. customer specification
- + Execution with enclosure, pushbutton, switch and / or pilote lamps
- + Approval : ATEX, IECEx and further
- + Application: Installation in chemical/ petrochemical area, Onshore and Offshore





- + Ex approved cable glands (metric and PG) for standard cable and armoured cable

Materials: polyamide, brass, stainless steel

Approvals Ex e, Ex d

- + Stopping plugs metric and PG

Materials: polyamide, brass

Approvals: Ex e, Ex d

- + Drain plugs and breather elements, counter nuts and additional accessories



For further cable glands or accessories don't hesitate to contact us.

Ex cable glands

E1FX, Ex Brass cable glands STA, SWB



Atmosphere	G/D
Equipment group	II
Category	2/3
Zone	1, 2, 21, 22
Type of ignition protection	Ex d, Ex e
Approvals	ATEX, IECEx, INMETRO, EAC (TR CU)
Material	Brass, nickelplated
Ingress protection	IP 66 to EN 60529, IP 68 with additional sealing insert
Cable types	cables with pliable wire armour (PWA) and steel tape armour (STA)
Temperature range	-60°C to +130°C

Product type	Order no.	Cable Ø inside	Cable Ø outside	GL	SW
M 20 x 1.5	08.03 07 20	3,1 - 8,6	6,1 - 13,2	15	24
M 20 x 1.5	08.03 07 22	6,5 - 13,9	12,5 - 20,9	15	31
M 25 x 1.5	08.03 07 25	11,1 - 19,9	14 - 22	15	38
M 25 x 1.5	08.03 07 26	11,1 - 19,9	18,2 - 26,2	15	38
M 32 x 1.5	08.03 07 32	17 - 26,2	23,7 - 33,9	15	46
M 40 x 1.5	08.03 07 40	22 - 32,1	27,9 - 40,4	15	55
M 50 x 1.5	08.03 07 50	29,5 - 38,1	35,2 - 46,7	15	60
M 63 x 1.5	08.03 07 63	40,1 - 49,9	45,6 - 59,4	15	75
M 63 x 1.5	08.03 07 64	47,2 - 55,9	54,6 - 65,9	15	80

E1FW, Ex Brass cable glands SWA



Atmosphere	G/D
Equipment group	II
Category	2/3
Zone	1, 2, 21, 22
Type of ignition protection	Ex d, Ex e
Approvals	ATEX, IECEx, INMETRO, EAC (TR CU)
Material	Brass, nickelplated
Ingress protection	IP 66 to EN 60529, IP 68 with additional sealing insert
Cable types	cables with steel wire armour (SWA)
Temperature range	-60°C to +130°C

Product type	Order no.	Cable Ø inside	Cable Ø outside	GL	SW
M 20 x 1.5	08.03 06 20	3,1 - 8,6	6,1 - 13,2	15	24
M 25 x 1.5	08.03 06 25	11,1 - 19,9	14 - 22	15	38
M 32 x 1.5	08.03 06 32	17 - 26,2	23,7 - 33,9	15	46
M 40 x 1.5	08.03 06 40	22 - 32,1	27,9 - 40,4	15	55
M 50 x 1.5	08.03 06 50	29,5 - 38,1	35,2 - 46,7	15	60
M 63 x 1.5	08.03 06 63	40,1 - 49,9	45,6 - 59,4	15	75

E1FU, Ex Brass cable glands



Atmosphere	G/D
Equipment group	II
Category	2/3
Zone	1, 2, 21, 22
Type of ignition protection	Ex d, Ex e, Ex nR
Approvals	ATEX, IECEx, EAC (TR CU)
Material	Brass, nickelplated
Ingress protection	IP 68
Cable types	all armoured cables
Temperature range	-60°C to +130°C

Product type	Order no.	Cable Ø inside	Cable Ø outside	GL	SW
M 20 x 1.5	08.03 08 20	3,1 - 8,6	6,1 - 13,1	15	24
M 25 x 1.5	08.03 08 25	11,1 - 19,9	14 - 22	15	38
M 32 x 1.5	08.03 08 32	17 - 26,2	23,7 - 33,9	15	46
M 40 x 1.5	08.03 08 40	22 - 32,1	27,9 - 40,4	15	55
M 50 x 1.5	08.03 08 50	29,5 - 38,1	35,2 - 46,7	15	60
M 63 x 1.5	08.03 08 63	40,1 - 49,9	45,6 - 59,4	15	75

SW = Width across flats
GL = Thread length

Ex cable glands

T3CDS, Ex Brass cable glands



Atmosphere	G/D
Equipment group	II
Category	2/3
Zone	1, 2, 21, 22
Type of ignition protection	Ex d, Ex e, Ex nR
Approvals	ATEX, IECEx, EAC (TR CU)
Material	Brass, nickelplated
Ingress protection	IP 68
Cable types	all armoured cables
Temperature range	-60°C to +130°C

Product type	Order no.	Cable Ø inside	Cable Ø outside	GL	SW
M 20 x 1.5	08.03 09 20	3,1 - 8,6	6,1 - 13,1	15	24
M 25 x 1.5	08.03 09 25	11,1 - 19,9	14 - 22	15	38
M 32 x 1.5	08.03 09 32	17 - 26,2	23,7 - 33,9	15	46
M 40 x 1.5	08.03 09 40	22 - 32,1	27,9 - 40,4	15	55
M 50 x 1.5	08.03 09 50	29,5 - 38,1	35,2 - 46,7	15	60
M 63 x 1.5	08.03 09 63	40,1 - 49,9	45,6 - 59,4	15	75

C2K, Ex Brass cable glands M



Atmosphere	G/D
Equipment group	II
Category	2/3
Zone	1, 2, 21, 22
Type of ignition protection	Ex e
Approvals	ATEX, IECEx, EAC (TR CU), INMETRO
Material	Brass, nickelplated
Ingress protection	IP 68
Cable types	all armoured cables
Temperature range	-60°C to +130°C

Product type	Order no.	Cable Ø	GL	SW
M 20 x 1.5	08.03 10 20	6,1 x 11,5	15	24
M 25 x 1.5	08.03 10 25	14 x 22	15	38
M 32 x 1.5	08.03 10 32	23,7 x 33,9	15	46
M 40 x 1.5	08.03 10 40	27,9 x 40,4	15	55
M 50 x 1.5	08.03 10 51	40,4 x 53,1	15	70
M 63 x 1.5	08.03 10 64	54,6 x 65,9	15	80

PX2K, Ex Brass cable glands



Atmosphere	G/D
Equipment group	II
Category	2/3
Zone	1, 2, 21, 22
Type of ignition protection	Ex d, Ex e, Ex nR
Approvals	ATEX, IECEx, EAC (TR CU)
Material	Brass, nickelplated
Ingress protection	IP 68
Cable types	for cables with compound barrier seal
Temperature range	-60°C to +130°C

Product type	Order no.	Cable Ø	GL	SW
M 20 x 1.5	08.03 11 21	9,5 x 15,5	15	31
M 25 x 1.5	08.03 11 26	18,2 x 26,2	15	38
M 50 x 1.5	08.03 11 51	40,4 x 53,1	15	70

HI-LYRA, M Ex Polyamide cable glands



Atmosphere	G/D
Sealing insert	Silicone
Equipment group	II
Category	2/3
Zone	1, 2, 21, 22
Type of ignition protection	Ex e, Ex tb, Ex i
Approvals	ATEX, IECEx, EAC (TR CU)
Material	Polyamide 6
Colour	RAL 9005, jet black, RAL 5012, light blue
Ingress protection	IP 66 to EN 60529, IP 68 to EN 60529

Product type	Order no.	Cable Ø	GL	SW
M 12 x 1.5 black	08.01 11 12	4 - 6,5	15	15
M 16 x 1.5 black	08.01 11 16	5 - 8	10	19
M 20 x 1.5 black	08.01 11 20	7 - 12	10	24
M 25 x 1.5 black	08.01 11 25	12 - 17	10	29
M 32 x 1.5 black	08.01 11 32	16 - 21	10	36
M 40 x 1.5 black	08.01 11 40	23 - 32	18	53
M 50 x 1.5 black	08.01 11 50	31 - 38	18	60
M 63 x 1.5 black	08.01 11 63	35 - 44	18	65
M 12 x 1.5 blue	08.01 12 12	4 - 6,5	15	15
M 16 x 1.5 blue	08.01 12 16	5 - 8	10	19
M 20 x 1.5 blue	08.01 12 20	7 - 12	10	24
M 25 x 1.5 blue	08.01 12 25	12 - 17	10	33
M 32 x 1.5 blue	08.01 12 32	16 - 21	10	42
M 40 x 1.5 blue	08.01 12 40	23 - 32	18	53
M 50 x 1.5 blue	08.01 12 50	31 - 38	18	60
M 63 x 1.5 blue	08.01 12 63	35 - 44	18	65

SW = Width across flats
GL = Thread length

Ex cable glands

HI-LYRA, PG Ex Polyamide cable glands



Atmosphere	G/D
Sealing insert	Silicone
Equipment group	II
Category	2/3
Zone	1, 2, 21, 22
Type of ignition protection	Ex e, Ex tb, Ex i
Approvals	ATEX, IECEx, EAC (TR CU)
Material	Polyamide 6
Colour	RAL 9005, jet black, RAL 5012, light blue
Ingress protection	IP 66 to EN 60529, IP 68 to EN 60529

Product type	Order no.	Cable Ø	GL	SW
PG 7 blue	08.02 11 07	4 - 6,5	15	15
PG 9 blue	08.02 11 09	5 - 8	10	19
PG 11 blue	08.02 11 11	6 - 10	10	22
PG 13.5 blue	08.02 11 13	7 - 12	10	24
PG 16 blue	08.02 11 16	11 - 14	10	27
PG 21 blue	08.02 11 21	14 - 18	10	33
PG 29 blue	08.02 11 29	19 - 25	15	42
PG 36 blue	08.02 11 36	23 - 32	18	53
PG 42 blue	08.02 11 42	31 - 38	18	60
PG 48 blue	08.02 11 48	35 - 44	18	65
PG 7 black	08.02 12 07	4 - 6,5	15	15
PG 9 black	08.02 12 09	5 - 8	10	19
PG 11 black	08.02 12 11	6 - 10	10	22
PG 13.5 black	08.02 12 13	7 - 12	9	24
PG 16 black	08.02 12 16	11 - 14	10	27
PG 21 black	08.02 12 21	14 - 18	11	33
PG 29 black	08.02 12 29	19 - 25	11	42
PG 36 black	08.02 12 36	23 - 32	13	53
PG 42 black	08.02 12 42	31 - 38	13	60
PG 48 black	08.02 12 48	35 - 44	14	65

HSK-INOX-Ex, Ex e Stainless steel cable glands M



Atmosphere	G/D
Equipment group	II
Category	2/3
Zone	1, 2, 21, 22
Type of ignition protection	Ex e
Approvals	ATEX, IECEx, INMETRO, EAC (TR CU)
Material	Stainless steel 1.4301/304
Ingress protection	IP 68 to EN 60529
Cable types	non-armoured cables
Temperature range	-20°C to +95°C

Product type	Order no.	Cable Ø	GL	SW
M 12 x 1.5	08.04 02 12	3 - 6,5	6,5	14
M 16 x 1.5	08.04 02 16	5 - 10	6	20
M 20 x 1.5	08.04 02 20	10 - 14	6	24
M 25 x 1.5	08.04 02 25	13 - 18	7	30
M 32 x 1.5	08.04 02 32	20 - 25	8	41
M 40 x 1.5	08.04 02 40	22 - 33	8	50

SIB-TEC, M Ex e Brass cable glands



Atmosphere	G/D
Equipment group	II
Category	2/3
Zone	1, 2, 21, 22
Type of ignition protection	Ex e
Approvals	ATEX, INMETRO, EAC (TR CU)
Material	Brass, nickelplated
Ingress protection	IP 66 to EN 60529, IP 68 with additional sealing insert
Cable types	non-armoured cables
Temperature range	-40°C to +100°C

Product type	Order no.	Cable Ø	GL	SW
M 12 x 1.5	08.02 05 12	4,5 - 6,5	5	14
M 16 x 1.5	08.02 05 16	5 - 9,5	5	17
M 20 x 1.5	08.02 05 20	8 - 13	6	22
M 25 x 1.5	08.02 05 25	9 - 16	7	27
M 32 x 1.5	08.02 05 32	12 - 21	8	34
M 40 x 1.5	08.02 05 40	16 - 27	8	42
M 50 x 1.5	08.02 05 50	23 - 35	9	55
M 63 x 1.5	08.02 05 63	36 - 48	10	65

SW = Width across flats
GL = Thread length

Ex cable glands

SIB-TEC, PG Ex e Brass cable glands



		Product type	Order no.	Cable Ø	GL	SW
Atmosphere	G/D	PG 7	08.03 01 07	4,5 - 6,5	5	14
Equipment group	II	PG 9	08.03 01 09	5 - 9,5	6	14
Category	2/3	PG 11	08.03 01 11	7 - 11,5	6	20
Zone	1, 2, 21, 22	PG 13,5	08.03 01 13	8 - 13	6,5	22
Type of ignition protection	Ex e	PG 16	08.03 01 16	9 - 15	6,5	24
Approvals	ATEX, INMETRO, EAC (TR CU)	PG 21	08.03 01 21	12 - 19	7	30
Material	Brass, nickelplated	PG 29	08.03 01 29	17 - 26	8	40
Ingress protection	IP 66 to EN 60529, IP 68 with additional sealing insert	PG 36	08.03 01 36	23 - 34,5	9	50
Cable types	non-armoured cables	PG 42	08.03 01 42	28 - 40	10	58
Temperature range	-40°C to +100°C	PG 48	08.03 01 48	36 - 48	10	65

A2F, M Ex e, d Brass cable glands



		Product type	Order no.	Cable Ø	GL	SW
Atmosphere	G/D	M 20 x 1.5	08.03 05 20	3,2 - 8,7	15	24
Equipment group	II	M 25 x 1.5	08.03 05 25	11,1 - 20	15	36
Category	2/3	M 32 x 1.5	08.03 05 32	17 - 26,3	15	41
Zone	1, 2, 21, 22	M 40 x 1.5	08.03 05 40	23,5 - 32,2	15	50
Type of ignition protection	Ex d, Ex e	M 50 x 1.5	08.03 05 50	31 - 38,2	15	55
Approvals	ATEX, IECEx, INMETRO, EAC (TR CU)	M 63 x 1.5	08.03 05 63	41,5 - 50	15	70
Material	Brass, nickelplated					
Ingress protection	IP 66 to EN 60529, IP 68 with additional sealing insert					
Cable types	non-armoured cable, braided cables					
Temperature range	-60°C to +130°C					

SW = Width across flats
GL = Thread length

Ex Blind plugs

DRACO-HI, Ex PA Blind glands M



Atmosphere	G/D
Equipment group	II
Category	2/3
Zone	1, 2, 21, 22
Type of ignition protection	Ex e, Ex tb
Approvals	ATEX, IECEx, INMETRO, EAC (TR CU)
Material	Polyamide 6
Colour	RAL 9005, jet black
Ingress protection	IP 68 to EN 60529
Temperature range	-60°C to +70°C

Product type	Order no.	GL	SW
M 12 x 1,5	08.01 14 12	8	15
M 16 x 1,5	08.01 14 16	10	19
M 20 x 1,5	08.01 14 20	10	23
M 25 x 1,5	08.01 14 25	10	28
M 32 x 1,5	08.01 14 32	15	36
M 40 x 1,5	08.01 14 40	18	46
M 50 x 1,5	08.01 14 50	18	55
M 63 x 1,5	08.01 14 63	18	69

Ex PC Blind plugs PG



Atmosphere	G/D
Equipment group	II
Category	2/3
Zone	1, 2, 21, 22
Type of ignition protection	Ex e, Ex tb
Approvals	ATEX, IECEx, INMETRO, EAC (TR CU)
Material	Polycarbonate
Colour	RAL 9005, jet black
Ingress protection	IP 68 to EN 60529
Temperature range	-60°C to +70°C

Product type	Order no.	GL	SW
PG 9	08.03 02 09	10	19
PG 11	08.03 02 11	10	22
PG 13,5	08.03 02 13	10	24
PG 16	08.03 02 16	10	27
PG 21	08.03 02 21	12	32
PG 29	08.03 02 29	12	41
PG 36	08.03 02 36	14	55
PG 42	08.03 02 42	16	60
PG 48	08.03 02 48	16	65

Ex e Brass blind plugs PG



Atmosphere	G/D
Equipment group	II
Category	2/3
Zone	1, 2, 21, 22
Type of ignition protection	Ex e
Approvals	ATEX, INMETRO, EAC (TR CU)
Material	Brass, nickelplated
Ingress protection	IP 66 to EN 60529, IP 68 to EN 60529 with seal
Temperature range	-20°C to +80°C

Product type	Order no.	GL	SW
PG 7	08.03 03 07	10	14
PG 9	08.03 03 09	10	19
PG 11	08.03 03 11	10	22
PG 13,5	08.03 03 13	10	24
PG 16	08.03 03 16	10	27
PG 21	08.03 03 21	12	32
PG 29	08.03 03 29	12	41
PG 36	08.03 03 36	14	55

M short Ex e, d Blind plugs brass



Atmosphere	G/D
Equipment group	II
Category	2/3
Zone	1, 2, 21, 22
Type of ignition protection	Ex e, Ex d
Approvals	ATEX, EAC (TR CU)
Material	Brass, nickelplated
Ingress protection	IP 66 to EN 60529, IP 68 with additional sealing insert
Temperature range	-40°C to +100°C

Product type	Order no.	GL	SW
M 12 x 1.5	08.02 08 12	12	14
M 16 x 1.5	08.02 08 16	12	18
M 20 x 1.5	08.02 08 20	12	23
M 25 x 1.5	08.02 08 25	12	29
M 32 x 1.5	08.02 08 32	12	39
M 40 x 1.5	08.02 08 40	15	45
M 50 x 1.5	08.02 08 50	15	58
M 63 x 1.5	08.02 08 63	19	70

SW = Width across flats
GL = Thread length

Ex Blind plugs / Other material Ex

757, M long Ex e, d Blind plugs brass



Atmosphere	G/D
Equipment group	II
Category	2/3
Zone	1, 2, 21, 22
Type of ignition protection	Ex d, Ex e
Approvals	ATEX, IECEx, INMETRO, EAC (TR CU)
Material	Brass, nickelplated
Ingress protection	IP 68
Temperature range	-60°C to +130°C

Product type	Order no.	GL	SW
M 16 x 1.5	08.03 04 16	15	24
M 20 x 1.5	08.03 04 20	15	27
M 25 x 1.5	08.03 04 25	15	36
M 32 x 1.5	08.03 04 32	15	41
M 40 x 1.5	08.03 04 40	15	50
M 50 x 1.5	08.03 04 50	15	60
M 63 x 1.5	08.03 04 63	15	75

Ex Stainless steel pressure equalisation element M



Atmosphere	G/D
Equipment group	II
Category	2/3
Air flow rate	0.4 l/min at 0.1 bar 5 l/min at 1 bar
Zone	1, 2, 21, 22
Type of ignition protection	Ex e
Approvals	ATEX
Material	1.4305 Stainless Steel
Ingress protection	IP 66 to EN 60529
Temperature range	-40°C to +105°C

Product type	Order no.	GL	SW
M12 x 1.5	08.50 11 12	10	17

CVE, M Ex stainless steel drain plugs



Atmosphere	G/D
Equipment group	II
Category	2/3
Zone	1, 2, 21, 22
Type of ignition protection	Ex e
Approvals	ATEX, IECEx, INMETRO, EAC (TR CU)
Material	Stainless steel 1.4571
Ingress protection	IP 66 to EN 60529
Temperature range	-50°C to +150°C

Product type	Order no.	GL	SW
M 20 x 1.5	08.51 10 20	10	25

CVA, M Ex brass drain plugs



Atmosphere	G/D
Equipment group	II
Category	2/3
Zone	1, 2, 21, 22
Type of ignition protection	Ex e
Approvals	ATEX, IECEx, INMETRO, EAC (TR CU)
Material	Brass, nickelplated
Ingress protection	IP 66 to EN 60529
Temperature range	-50°C to +150°C

Product type	Order no.	GL	SW
M 20 x 1.5	08.51 20 20	10	25

SW = Width across flats
GL = Thread length

Other material Ex

DPE, M Ex Polyamide drain plugs



Atmosphere	G/D
Equipment group	II
Category	2/3
Zone	1, 2, 21, 22
Type of ignition protection	Ex e
Approvals	ATEX, IECEx, EAC (TR CU)
Material	Polyamide
Ingress protection	IP 66 to EN 60529
Temperature range	-50°C to +85°C

Product type	Order no.	GL	SW
M 25 x 1.5	08.51 01 25	10	35

Brass counter nut M



Material	Brass, nickelplated
----------	---------------------

Product type	Order no.	SW
M 16 x 1.5	08.09 09 16	19
M 20 x 1.5	08.09 09 20	23
M 25 x 1.5	08.09 09 25	29
M 32 x 1.5	08.09 09 32	36
M 40 x 1.5	08.09 09 40	45
M 50 x 1.5	08.09 09 50	55
M 63 x 1.5	08.09 09 63	70

Brass counter nut PG



Material	Brass, nickelplated
----------	---------------------

Product type	Order no.	SW
PG 7	08.04 09 07	15
PG 9	08.04 09 09	18
PG 11	08.04 09 11	21
PG 13,5	08.04 09 13	23
PG 16	08.04 09 16	26
PG 21	08.04 09 21	32
PG 29	08.04 09 29	41

Polyamide counter nut M



Material	Polyamide 6
Colour	light grey (RAL 7035)
Temperature range	-20°C to +80°C

Product type	Order no.	SW
M 12 x 1.5	08.09 07 12	18
M 16 x 1.5	08.09 07 16	22
M 20 x 1.5	08.09 07 20	26
M 25 x 1.5	08.09 07 25	32
M 32 x 1.5	08.09 07 32	41
M 40 x 1.5	08.09 07 40	50
M 50 x 1.5	08.09 07 50	60
M 63 x 1.5	08.09 07 63	75

Polyamide counter nut PG



Material	Polyamide 6
Colour	light grey (RAL 7035)
Temperature range	-20°C to +80°C

Product type	Order no.	SW
PG 7	08.02 09 07	19
PG 9	08.02 09 09	22
PG 11	08.02 09 11	24
PG 13,5	08.02 09 13	27
PG 16	08.02 09 16	30
PG 21	08.02 09 21	36
PG 29	08.02 09 29	46
PG 36	08.02 09 36	60
PG 42	08.02 09 42	65
PG 48	08.02 09 48	70

SW = Width across flats
GL = Thread length

Other material Ex

CETUS, Mushroom plug M



Equipment group	II
Category	2/3
Zone	1, 2, 21, 22
Type of ignition protection	Ex e, Ex tb
Approvals	ATEX, IECEx
Material	Polyamide 6
Colour	RAL 9005, jet black
Temperature range	-40°C to +80°C

Product type	Order no.
M 12 x 1,5	08.01 18 12
M 16 x 1,5	08.01 18 16
M 20 x 1,5	08.01 18 20
M 25 x 1,5	08.01 18 25
M 32 x 1,5	08.01 18 32
M 40 x 1,5	08.01 18 40
M 50 x 1,5	08.01 18 50
M 63 x 1,5	08.01 18 63

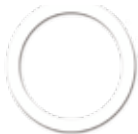
CETUS, Mushroom plug PG



Equipment group	II
Category	2/3
Zone	1, 2, 21, 22
Type of ignition protection	Ex e, Ex tb
Approvals	ATEX, IECEx
Material	Polyamide 6
Colour	RAL 9005, jet black
Temperature range	-40°C to +80°C

Product type	Order no.
PG 7	08.01 19 07
PG 9	08.01 19 09
PG 11	08.01 19 11
PG 13,5	08.01 19 13
PG 16	08.01 19 16
PG 21	08.01 19 21
PG 29	08.01 19 29
PG 36	08.01 19 36
PG 42	08.01 19 42
PG 48	08.01 19 48

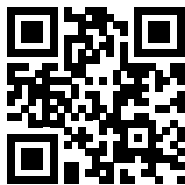
Seals - Nylon



Material	Nylon, 2 mm
Colour	white
Temperature range	-60°C to +130°C

Product type	Order no.
M 16	08.00 10 16
M 20	08.00 10 20
M25	08.00 10 25
M 32	08.00 10 32
M 40	08.00 10 40
M 50	08.00 10 50
M 63	08.00 10 63

■ www.rose-pw.de



812040 PDF 09/2016

