



STAINLESS STEEL ENCLOSURES



A Phoenix Mecano Company

ROSE Systemtechnik GmbH

The company was founded in 1969 and specializes in the development and production of high quality industrial enclosures, which are used in a variety of environmental conditions.

Phoenix Mecano AG / Switzerland is a global company.

The basis of our business success are systems from a wide range of high quality products, innovative design and first class customer service.

For more informations please visit our homepage

www.rose-pw.de www.rose-ex-enclosures.com













A Phoenix Mecano Company

ROSE Systemtechnik GmbH
Erbeweg 13 - 15
32457 Porta Westfalica
Fon +49 571 5041 0
Fax +49 571 5041 6
E-Mail rose@rose-pw.de
Web www.rose-pw.de



Contents

	Page
	Stainless steel industrial enclosures 7 - 12
	<ul style="list-style-type: none">• Universal standard enclosure
	Stainless steel industrial enclosures with hinge IGS 13 - 16
	<ul style="list-style-type: none">• Universal enclosure with covered hinge
	Stainless steel switch gear cabinets KSS 17 - 18
	<ul style="list-style-type: none">• Switch gear cabinet with hinged door
	Commander KSSC 19 - 20
	<ul style="list-style-type: none">• Stainless steel control enclosure
	Commander 410 21 - 22
	<ul style="list-style-type: none">• Stainless steel control enclosure for hygienic areas
	Commander 420 23 - 24
	<ul style="list-style-type: none">• Stainless steel control enclosure for industrial areas
	GTH 48 / GTH 60 suspension systems 25 - 32
	<ul style="list-style-type: none">• Stainless steel round tube system with system components for hygienic applications
	Stainless steel cable glands 33
	<ul style="list-style-type: none">• PG- and metric versions• Pressure balance element
	Stainless steel special version 34 - 36
	<ul style="list-style-type: none">• Individual enclosure systems customized
	General technical informations 37 - 38

Technical modifications reserve!

Stainless steel Ex enclosures



Gost
Russland

Gost
Kasachstan



Stainless steel Ex enclosures - junction boxes and empty enclosures - for use in hazardous areas

For detailed information see our catalogue „Ex Equipment“



Stainless steel enclosure systems

Stainless steel is an increasingly important material in many application areas. In comparison with other enclosure materials, stainless steel is characterised by individual finishing options, robustness, high quality surface and much more.

It is typically used in the

- food industries
- packaging industries
- areas with harsh or aggressive environments
- areas subject to EMC
- all hygienic technical areas

ROSE stainless steel enclosure systems are manufactured in materials 1.4404 and 1.4301 as standard. These stainless steel qualities offer permanent resistance both in harsh environments of the chemical industry and are also easy to clean and ideal for use in food preparation environments. ROSE stainless steel products are supplied with a permanent high-quality surface finish (grinding, grain 240), and build (precise edges and welding) as standard and comply with enclosure ratings IP 65 and IP 66 as standard (optionally higher).



Stainless steel industrial enclosures

- 27 enclosure variants for applications: food- and packaging industries and harsh environments

Stainless steel switch gear cabinets KSS

- 7 enclosure variants with door and mounting plate for applications: food- and packaging industries and harsh environments

Commander KSSC

- Industrial commander in 7 enclosure variants with door for food- and packaging industries

Commander 410

- Operating enclosures for hygienic areas for food- and packaging industries

Commander 420

- Industrial commander in 6 sizes for packaging industries

GTH 48 / GTH 60 Suspension systems

- Stainless steel suspension system, round design, for best requirements
- Applications: hygienic areas, measuring and automation systems and controller constructions

Stainless steel cable glands

- Metric and PG cable glands in standard or Ex-version
- Pressure balance element

Stainless steel special enclosures

- Specified enclosure systems customized
- Special sizes from 25 off



- Universal industrial enclosures for hygienic areas
- High quality surface 1.4301
- No gaps between lid/base
- Enclosure rating up to IP 69K (on request)
- Optional individual sizes and versions from 25 off (see p. 35/36)

Included in delivery:

Enclosure base with bracket clips and threaded hole for attachment of DIN rails, 4 mounting bosses with attachment holes and sealing plugs, alternatively available without fastening holes, lid with stud bolts inside and permanently attached lid screws.

Technical data

Material:

stainless steel 1.25 mm or 1.5 mm; 1.4301 / 304
other materials on request

Ingress protection:

IP 66 to EN 60529
high pressure cleaner-resistant version (IP 69K)
on request

Seal:

VMQ (silicone)
EMC on request

Surface:

grinded, grain 240
other surface on request

Temperature range:

-40°C to +80°C
other temperature ranges on request

Stainless steel industrial enclosures

Product range

Order No.				
Enclosure with mounting bosses and holes	Enclosure with mounting bosses without holes	Mounting plate	Weight (g)	Dimensions (mm) L x B x H
37.10 10 06	37.10 10 96	10.01 10 53	561	100 x 100 x 61
37.15 10 06	37.15 10 96	10.01 10 54	717	150 x 100 x 61
37.15 15 08	37.15 15 98	10.01 10 38	1175	150 x 150 x 81
37.20 10 06		10.01 10 55	914	200 x 100 x 61
37.20 20 08	37.20 20 98	10.01 10 40	1792	200 x 200 x 81
37.20 20 12	37.20 20 92	10.01 10 40	2106	200 x 200 x 121
37.30 15 08		10.01 10 39	1893	300 x 150 x 81
37.30 20 08		10.01 10 41	2367	300 x 200 x 81
37.30 20 12	37.30 20 92	10.01 10 41	2770	300 x 200 x 121
37.30 30 12		10.01 10 44	3792	300 x 300 x 121
37.30 30 16		10.01 10 44	4101	300 x 300 x 161
37.38 38 16		10.01 10 45	5838	380 x 380 x 161
37.40 15 08		10.01 10 56	2370	400 x 150 x 81
37.40 20 12		10.01 10 43	3383	400 x 200 x 121
37.40 30 16		10.01 10 48	5268	400 x 300 x 161
37.50 30 16		10.01 10 57	6237	500 x 300 x 161
37.50 40 16		10.01 10 49	7333	500 x 400 x 161
37.60 20 12		10.01 10 58	5798	600 x 200 x 121
37.99 99 99				Special size acc. specification

Accessories

Mounting set (gaskets, nuts and screws)	37.99 00 01
External hinge set (2 pcs.)	37.00 00 02
External mounting bracket (4 pcs.)	37.10 50 00

Stainless steel industrial enclosures

Terminal mounting

Make	Phoenix																PE bar 1,5 to 6 mm ²
DIN rail TS 15				X	X			X									
DIN rail TS 32																	
DIN rail TS 35	X	X	X			X	X		X	X	X	X	X	X	X		
Voltage (V)	352	550	690	275	420	690	690	275	690	690	690	690	880	1100	1100		
Current (A)	17	22	23	22,5	27	32,5	43,5	37	57	74	118,5	137	216	256	350		
Nominal cross section (mm ²)	1,5	2,5	2,5	2,5	4	4	6	6	10	16	35	50	95	150	240		
Terminal width (mm)	4,2	5,2	5,2	5,2	6,2	6,2	8,2	8,2	10,2	12,2	16	20	25	31	36		
Terminal Type																	
Enclosure Type	UK 1,5 N	UK 2,5 N	UK 3 N	MKB 3/E-Z	MXK 4	UK 5 N	UK 6 N	MBK 6/E	UK 10 N	UK 16 N	UK 35	UKH 50	UKH 95	UKH 150	UKH 240		
37.10 10 06				11	7			7								3	
37.15 10 06				20	16			12								6	
37.15 15 08	24	20	20	20	16	16	12	12	10	8						6	
37.20 10 06				30	24			18								8	
37.20 20 08	76	60	60	60	50	50	38	38	30	13						8	
37.20 20 12	76	60	60	60	50	50	38	38	30	13	10					8	
37.30 15 08	61	50	50	50	41	41	31	31	25	21						13	
37.30 20 08	120	96	96	96	80	80	60	60	24	20						13	
37.30 20 12	120	96	96	96	80	80	60	60	24	20	16					13	
37.30 30 12	120	96	96	96	80	80	60	60	48	20	16	12				13	
37.30 30 16	126	102	102	102	87	87	63	63	51	40	16	12				13	
37.38 38 16	240	195	195	195	162	162	123	123	99	81	44	17	13			18	
37.40 15 08	85	69	69	69	58	58	43	43	35	29						19	
37.40 20 12	172	138	138	138	116	116	88	88	70	29	23	18				19	
37.40 30 16	172	138	138	138	116	116	88	88	70	29	23	18	14			19	
37.50 30 16	214	172	172	172	144	144	108	108	88	72	29	26	18			24	
37.50 40 16	425	345	345	345	290	290	215	215	140	87	46	36	14	11		24	
37.60 20 12	262	212	212	212	178	178	134	134	54	45	36	27				29	

Stainless steel industrial enclosures

Terminal mounting

Make	Weidmüller																						
DIN rail TS 15	X	X	X	X																			
DIN rail TS 32							X	X		X		X		X			X						
DIN rail TS 35					X	X			X		X		X		X	X		X	X	X	X	X	X
Voltage (V)	275	176	176	275	440	550	550	550	690	550	550	550	550	690	690	690	550	690	690	690	880	1100	1100
Current (A)	14	10	15	21	21	21	21	28	28	36	36	50	50	66	66	109	109	126	167	202	243	234	300
Nominal cross section (mm²)	1,5	1,5	2,5	4	2,5	2,5	2,5	4	4	6	6	10	10	16	16	35	35	50	70	95	120	150	240
Terminal width (mm)	3,5	5,1	5,1	6,1	5,1	5,1	6	6,5	6,1	8	7,9	10	9,9	12	11,9	16	18	18,5	20,5	27	27	32	36
Terminal Type																							
Enclosure Type	WDU 1,5 / R 3,5/E	AKZ 1,5	AKZ 2,5	AKZ 4	WDU 2,5 N	WDU 2,5	SAK 2,5	SAK 4	WDU 4	SAK 6N	WDU 6	SAK 10	WDU 10	SAK 16	WDU 16	WDU 35	SAK 35	WDU 50N	WDU 70N	WDU 70/95	WDU 95N/120N	WDU 120/150	WDU 240
37.10 10 06	14	9	9	8																			3
37.15 10 06	28	19	19	16																			6
37.15 15 08	28	19	19	16	19	19	16	16	16	12	12	10	10										6
37.20 10 06	42	29	29	24																			8
37.20 20 08	84	58	58	48	58	58	48	48	48	36	36	30	30										8
37.20 20 12	84	58	58	48	58	58	48	48	48	36	36	30	30	24	24								8
37.30 15 08	71	48	48	40	49	49	41	41	41	31	31	25	25										13
37.30 20 08	142	96	96	80	98	98	80	80	80	60	60	25	25										13
37.30 20 12	142	96	96	80	98	98	80	80	80	60	60	25	25	20	20	15	13						13
37.30 30 12	142	96	96	80	98	98	80	80	80	60	60	48	48	20	20	15	13	13	13				13
37.30 30 16	142	96	96	80	98	98	80	80	80	60	60	48	48	20	20	15	13	13	13				13
37.38 38 16	282	192	192	162	195	195	162	162	162	123	123	66	66	54	54	40	36	17	17	12	9		18
37.40 15 08	99	68	68	57	69	69	58	58	58	43	43	35	35										19
37.40 20 12	198	136	136	114	138	138	116	116	116	86	86	70	70	29	29	21	19	18	18				19
37.40 30 16	198	136	136	114	138	138	116	116	116	86	86	70	70	56	56	21	19	18	18		13		19
37.50 30 16	256	172	172	144	172	172	144	144	144	108	108	88	88	72	72	28	24	24	24		16		24
37.50 40 16	512	352	348	292	356	356	296	296	296	224	224	135	135	87	87	46	36	36	36	11	16	14	24
37.60 20 12	314	214	214	180	218	218	182	182	182	136	136	55	55	45	45	34	30	28	28				29

PE terminal as required

Accessories



Mounting set
(gaskets, nuts and screws)

Order No. **37.99 00 01**



External hinge set

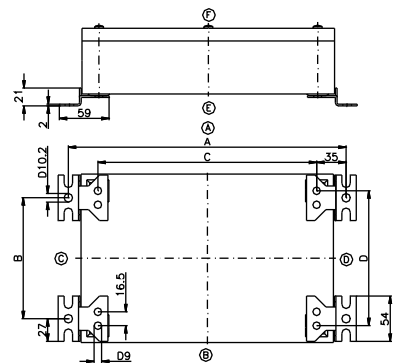
Order No. **37.00 00 02**



External mounting brackets

Order No. **37.10 50 00**

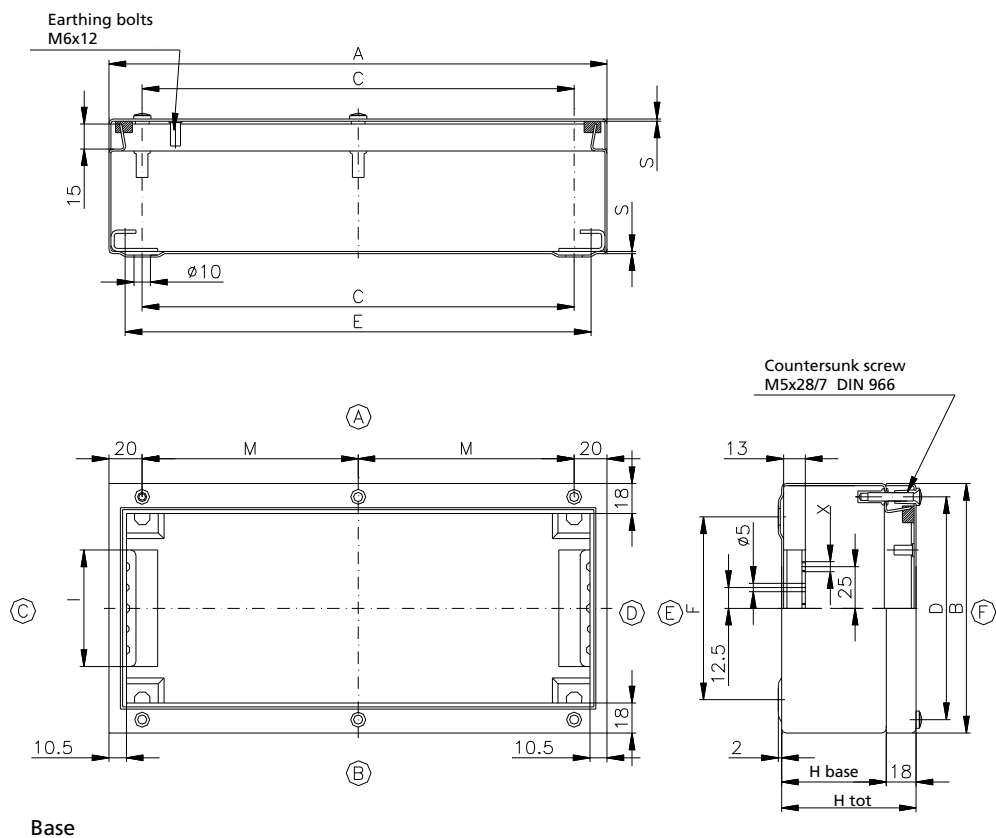
for enclosure type	A	B	C	D
37.10 10 06	130	44	60	60
37.15 10 06	180	44	110	60
37.15 15 08	180	94	110	110
37.20 10 06	230	43	160	60
37.20 20 08	230	144	160	160
37.20 20 12	230	144	160	160
37.30 15 08	330	94	260	110
37.30 20 08	330	144	260	160
37.30 20 12	330	144	260	160
37.30 30 12	330	244	260	260
37.30 30 16	330	244	260	260
37.38 38 16	410	324	340	340
37.40 15 08	430	94	360	110
37.40 20 12	430	144	360	160
37.40 30 16	430	244	360	260
37.50 30 16	530	244	460	260
37.50 40 16	530	344	460	360
37.60 20 12	630	144	560	160



Stainless steel industrial enclosures

Dimensions

Order No.		Dimensions (mm)														
Enclosure with mounting bosses and holes	Enclosure with mounting bosses without holes	Weight (g)	A	B	C	D	E	F	I	K	S	M	X	H _{base}	H _{tot}	H _b
37.10 10 06	37.10 10 96	561	100	100	60	84	81	60	20	11,25	1,25	-	M4	46	61	15
37.15 10 06	37.15 10 96	717	150	100	110	84	131	60	20	11,25	1,25	-	M4	46	61	15
37.15 15 08	37.15 15 98	1175	150	150	110	134	131	110	70	14,25	1,25	-	M6	63	81	18
37.20 10 06		914	200	100	160	84	181	60	20	11,25	1,25	-	M4	46	61	15
37.20 20 08	37.20 20 98	1792	200	200	160	184	181	160	120	14,25	1,25	-	M6	63	81	18
37.20 20 12	37.20 20 92	2106	200	200	160	184	181	160	120	14,25	1,25	-	M6	103	121	18
37.30 15 08		1893	300	150	260	134	281	110	70	14,25	1,25	-	M6	63	81	18
37.30 20 08		2367	300	200	260	184	281	160	120	14,25	1,25	-	M6	63	81	18
37.30 20 12	37.30 20 92	2770	300	200	260	184	281	160	120	14,25	1,25	-	M6	103	121	18
37.30 30 12		3792	300	300	260	284	281	260	220	14,25	1,25	-	M6	103	121	18
37.30 30 16		4101	300	300	260	284	281	260	220	14,25	1,25	-	M6	143	161	18
37.38 38 16		5838	380	380	340	364	361	340	300	14,25	1,25	-	M6	143	161	18
37.40 15 08		2370	400	150	360	134	381	110	70	14,25	1,25	-	M6	63	81	18
37.40 20 12		3383	400	200	360	184	381	160	120	14,25	1,25	-	M6	103	121	18
37.40 30 16		5268	400	300	360	284	381	260	220	14,25	1,25	-	M6	143	161	18
37.50 30 16		6237	500	300	460	284	481	260	220	14,25	1,25	230	M6	143	161	18
37.50 40 16		7333	500	400	460	384	481	360	320	14,25	1,25	230	M6	143	161	18
37.60 20 12		5798	600	200	560	184	581	160	120	14,25	1,5	280	M6	103	121	18
37.99 99 99			Special size acc. specification													



Stainless steel industrial enclosures with hinge IGS



- Universal enclosure with covered hinge and lock
- High quality surface 1.4301
- Optional individual sizes and versions e.g. with flange opening or window from 25 pcs. (see p. 35/36)

Included in delivery:

Enclosure with hinged lid, double ward lock, 4 floor mounting bosses with fastening holes and sealing plugs

Technical data

Material:

stainless steel 1.25 mm or 1.5 mm; 1.4301 / 304
other materials on request

Ingress protection:

IP 66 to EN 60529

Seal:

VMQ (silicone)

EMC on request

Surface:

grinded, grain 240

other surface on request

Temperature range:

-40°C to +80°C

other temperature ranges on request

Stainless steel industrial enclosures with hinge IGS

Product range

Order No.	Weight (g)	Mounting plate	Dimensions (mm) L x W x H
37.00 22 09	2350	10.01 10 66	200 x 250 x 97
37.00 22 15	2880	10.01 10 66	200 x 250 x 157
37.00 32 09	3490	10.01 10 67	350 x 250 x 97
37.00 33 16	4360	10.01 10 44	300 x 300 x 167
37.00 44 16	6080	10.01 10 45	380 x 380 x 167
37.00 44 21	6820	10.01 10 45	380 x 380 x 217
37.00 53 16	6350	10.01 10 57	500 x 300 x 167
37.00 63 16	8750	10.01 10 68	600 x 300 x 167
37.00 64 21	11420	10.01 10 69	600 x 380 x 217
37.00 99 00			Special size (acc. specification)

Accessories

Mounting set (gaskets, nuts and screws)	37.99 00 01
External mounting bracket (4 pcs)	37.10 50 00

Terminal mounting

Make	Phoenix																PE bar 1,5 to 6 mm ²
DIN rail TS 15				X	X			X									
DIN rail TS 32																	
DIN rail TS 35	X	X	X			X	X		X	X	X	X	X	X	X		
Voltage (V)	352	550	690	275	420	690	690	275	690	690	690	690	880	1100	1100		
Current (A)	17	22	23	22,5	27	32,5	43,5	37	57	74	118,5	137	216	256	350		
Nominal cross section (mm ²)	1,5	2,5	2,5	2,5	4	4	6	6	10	16	35	50	95	150	240		
Terminal width (mm)	4,2	5,2	5,2	5,2	6,2	6,2	8,2	8,2	10,2	12,2	16	20	25	31	36		
Terminal Type																	
Enclosure Type	UK 1,5 N	UK 2,5 N	UK 3 N	MKB 3/E-Z	MXK 4	UK 5 N	UK 6 N	MBK 6/E	UK 10 N	UK 16 N	UK 35	UKH 50	UKH 95	UKH 150	UKH 240		
37.00 22 09	76	60	60	60	50	50	38	38	24	13	10					8	
37.00 22 15	76	60	60	60	50	50	38	38	24	13	10					8	
37.00 32 09	150	125	125	125	100	100	74	74	36	30	20					16	
37.00 33 16	126	102	102	102	87	87	63	63	51	40	16	12				13	
37.00 44 16	240	195	195	195	162	162	123	123	99	81	44	17	13			18	
37.00 44 21	240	195	195	195	162	162	123	123	99	81	44	17	13			18	
37.00 53 16	214	172	172	172	144	144	108	108	88	72	29	26	18			24	
37.00 63 16	260	210	210	210	176	176	134	134	106	90	36	27	22			29	
37.00 64 21	393	318	318	318	267	267	201	201	162	135	72	27	22			29	

PE terminal as required

Stainless steel industrial enclosures with hinge IGS

Terminal mounting

Make	Weidmüller																				PE bar 1,5 to 6 mm²
DIN rail TS 15	X	X	X	X																	
DIN rail TS 32							X	X		X		X		X			X				
DIN rail TS 35					X	X			X		X		X	X		X	X	X	X	X	
Voltage (V)	275	176	176	275	440	550	550	550	690	550	550	550	550	690	690	690	550	690	690	690	
Current (A)	14	10	15	21	21	21	21	28	28	36	36	50	50	66	66	109	109	126	167	202	
Nominal cross section (mm²)	1,5	1,5	2,5	4	2,5	2,5	2,5	4	4	6	6	10	10	16	16	35	35	50	70	95	
Terminal width (mm)	3,5	5,1	5,1	6,1	5,1	5,1	6	6,5	6,1	8	7,9	10	9,9	12	11,9	16	18	18,5	20,5	27	
Terminal Type																					
Enclosure Type	WDU 1,5 / R 3,5/E	AKZ 1,5	AKZ 2,5	AKZ 4	WDU 2,5 N	WDU 2,5	SAK 2,5	SAK 4	WDU 4	SAK 6N	WDU 6	SAK 10	WDU 10	SAK 16	WDU 16	WDU 35	SAK 35	WDU 50N	WDU 70N	WDU 70/95	
37.00 22 09	84	58	58	48	58	58	48	48	48	36	36	30	30	12	12	9	8				8
37.00 22 15	84	58	58	48	58	58	48	48	48	36	36	30	30	12	12	9	8				8
37.00 32 09	170	116	116	98	118	118	98	98	98	74	74	30	30	25	25	18	16				16
37.00 33 16	142	96	96	80	98	98	82	82	82	62	62	50	50	40	40	15	13	13			13
37.00 44 16	282	192	192	162	195	195	162	162	162	123	123	99	99	81	81	40	36	17	16	12	18
37.00 44 21	282	192	192	162	195	195	162	162	162	123	123	99	99	81	81	40	36	17	16	12	18
37.00 53 16	256	176	174	146	178	178	148	148	148	112	112	90	90	74	74	56	48	25	22	16	24
37.00 63 16	314	214	214	180	218	218	182	182	182	136	136	110	110	90	90	34	30	27	26	20	29
37.00 64 21	471	321	321	270	327	327	273	273	273	204	204	165	165	135	135	68	60	27	26	20	29

PE terminal as required

Accessories



Mounting set

(gaskets, nuts and screws)

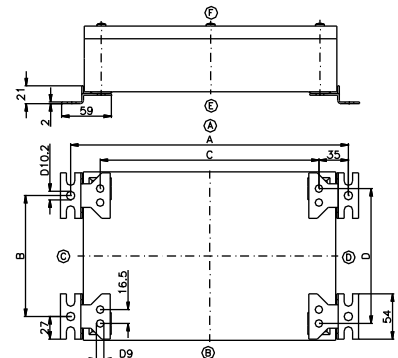
Order No. **37.99 00 01**



External mounting brackets

Order No. **37.10 50 00**

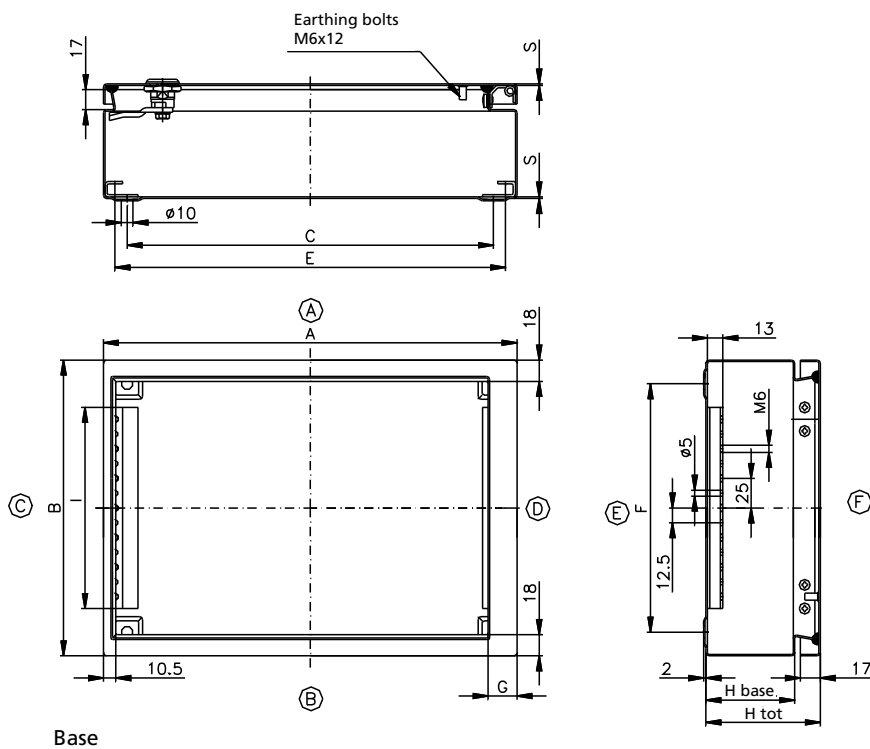
for enclosure type	A	B	C	D
37.00 22 09	230	194	160	210
37.00 32 09	380	194	310	210
37.00 22 15	230	194	160	210
37.00 33 16	330	244	260	260
37.00 44 16	410	324	340	340
37.00 53 16	530	244	460	260
37.00 63 16	630	244	560	260
37.00 44 21	410	324	340	340
37.00 64 21	630	324	560	340



Stainless steel industrial enclosures with hinge IGS

Dimensions

Order No.	Weight (g)	Dimensions (mm)									
		A	B	C	E	F	I	G	S	H _{base}	H _{tot}
37.00 22 09	2350	200	250	160	181	210	170	25	1,25	75	97
37.00 22 15	2880	200	250	160	181	210	170	25	1,25	135	157
37.00 32 09	3490	350	250	310	331	210	170	25	1,25	75	97
37.00 33 16	4360	300	300	260	281	260	220	25	1,25	145	167
37.00 44 16	6080	380	380	340	361	340	300	25	1,25	145	167
37.00 44 21	6820	380	380	340	361	340	300	25	1,25	195	217
37.00 53 16	6350	500	300	460	481	260	220	25	1,25	145	167
37.00 63 16	8750	600	300	560	580	260	220	25	1,5	145	167
37.00 64 21	11420	600	380	560	580	340	300	25	1,5	195	217
37.00 99 00		Special size (acc. specification)									



Stainless steel switch gear cabinets KSS



- Switch gear cabinets with hinged door
- Mounting plate attachment above stud bolts / threaded weld nuts
- Surface grinded all sides (240 grain)
- Optional individual sizes and versions from 25 pcs (see p. 35/36)

Technical data

Material:

stainless steel 1.25 mm or 1.5 mm; 1.4301 / 304

Ingress protection:

IP 66 to EN 60529

Seal:

VMQ (silicone)

EMC on request

Surface:

grinded, grain 240

Temperature range:

-40°C to +80°C

other temperature ranges on request

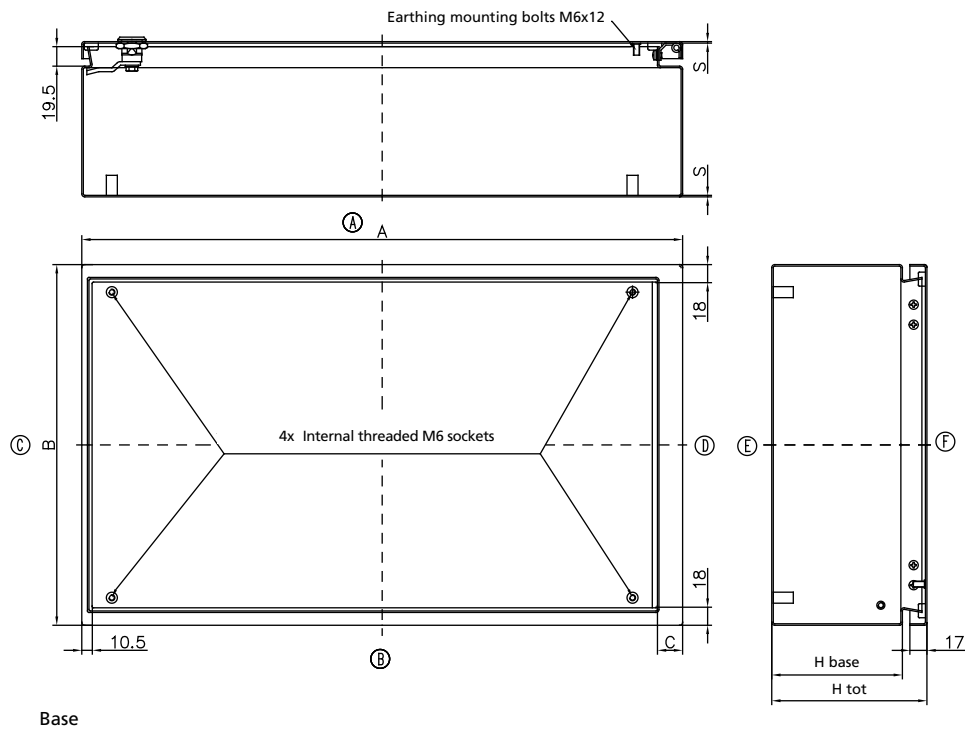
Included in delivery:

Enclosure with door, double ward lock,
1 x M6 threaded stud bolts in lid and
4 x M6 threaded weld nuts in base.

Stainless steel switch gear cabinets KSS

Product range

Order No.	Weight (g)	Mounting plates	Dimensions (mm)					
			A	B	C	S	H _b	H _{tot}
37.01 23 15	3500	37.01 99 01	200	300	25	1,25	133	155
37.01 34 21	6000	37.01 99 02	300	380	25	1,25	188	210
37.01 43 15	5500	37.01 99 03	400	300	25	1,25	133	155
37.01 46 21	11500	37.01 99 04	380	600	25	1,5	188	210
37.01 55 21	10500	37.01 99 05	500	500	25	1,25	188	210
37.01 64 15	10500	37.01 99 06	600	400	25	1,5	133	155
37.01 68 21	19500	37.01 99 07	600	760	25	1,5	188	210
37.01 99 00		Special size (acc. specification)						





- Stainless steel control enclosure based on switch gear cabinet KSS
- Including amplifier plate and drill hole for ROSE GTH suspension system
- Optional individual sizes and versions from 25 off (see p. 35/36)

Technical data

Material:

stainless steel 1.25 mm or 1.5 mm; 1.4301 / 304

Ingress protection:

IP 65 to EN 60529

Seal:

VMQ (silicone)

EMC on request

Surface:

grinded, grain 240

Temperature range:

-40°C to +80°C

Included in delivery:

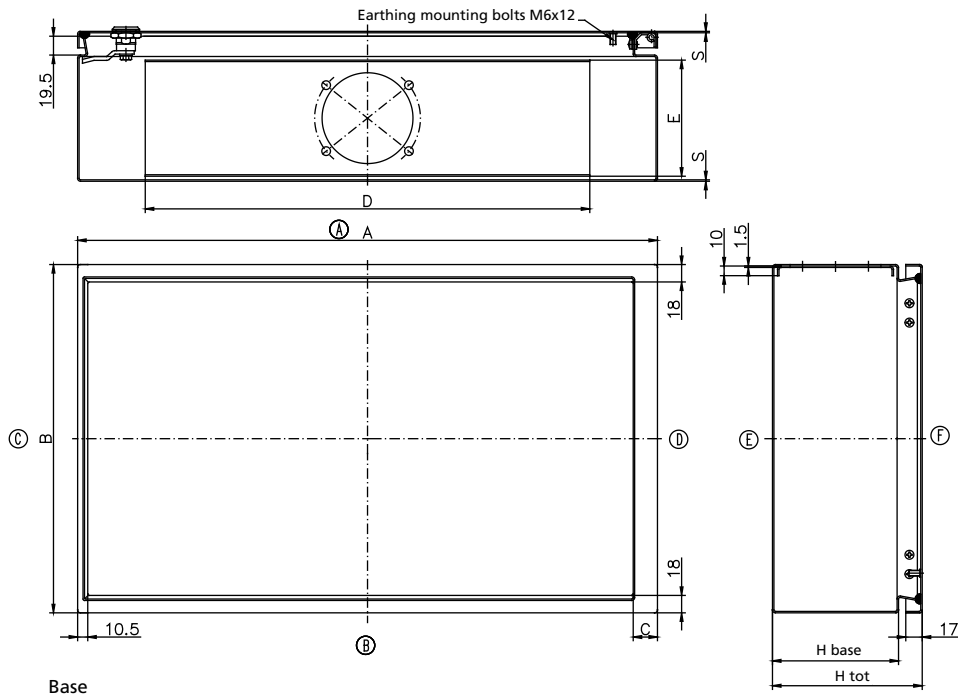
Enclosure system including amplifier plate and GTH coupling hole with door, double ward lock.

Commander KSSC

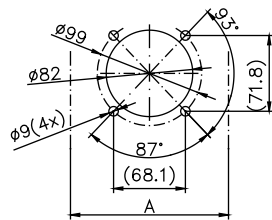
Product range

Order No.	Weight (g)	Mounting plates	Dimensions (mm)								Drillings for suspension system (side A)
			A	B	C	D	E	S	H _b	H _{tot}	
37.02 23 15	3500	37.01 99 01	200	300	24,6	160	100	1.25	130,7	155	GTH 48 (picture 1)
37.02 34 21	6000	37.01 99 02	300	380	24,6	260	175	1.25	185,7	210	GTH 48 (picture 1)
37.02 43 15	5500	37.01 99 03	400	300	24,6	360	100	1.25	130,7	155	GTH 48 (picture 1)
37.02 46 21	11500	37.01 99 04	380	600	25,1	340	175	1.5	185,7	210	GTH 60 (picture 2)
37.02 55 21	10500	37.01 99 05	500	500	24,6	460	175	1.25	185,7	210	GTH 60 (picture 2)
37.02 64 15	10500	37.01 99 06	600	400	25,1	460	120	1.5	130,7	155	GTH 60 (picture 2)
37.02 68 21	19500	37.01 99 07	600	760	25,1	560	175	1.5	185,7	210	GTH 60 (picture 2)
37.02 99 00			Special size (acc. specification)								

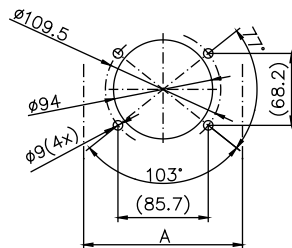
Cutout of size, state by order
Special size: from 25 pcs/order



Picture 1:
Coupling drill hole (GTH 48)



Picture 2:
Coupling drill hole (GTH 60)



Accessories

Handle for KSSC (see version C420, page 20) on request



- Stainless steel Commander with screwed rear wall for hygienic areas
- Droop acc. to hygienic design regulations
- High material quality

Technical data

Material:

stainless steel 1.4404/316L

Ingress protection:

IP 66 / IP 69K to EN 60529

Seal:

silicone

Surface:

grinded, grain 240

Temperature range:

-40°C to +80°C

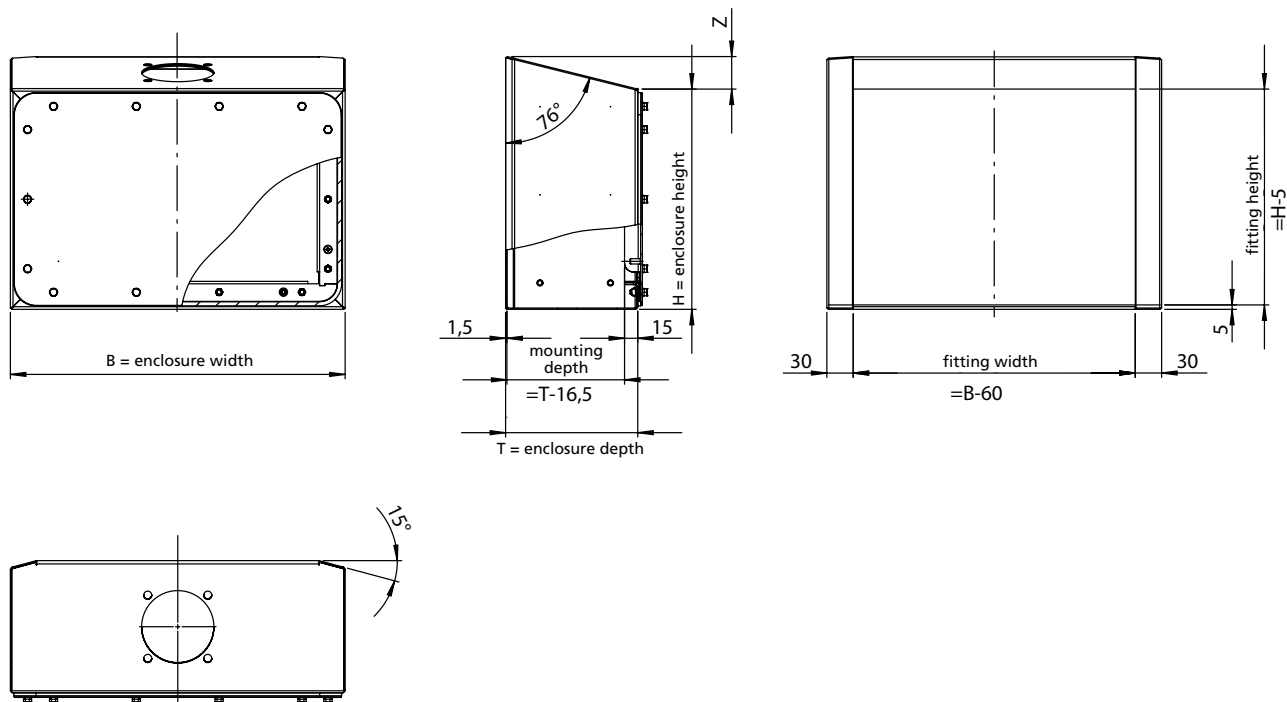
Included in delivery:

Enclosure with screwed rear wall, silicone seal - depending on version with closed or individual manufactured front, internal fixing and coupling hole for suspension system GTH 48

Commander 410

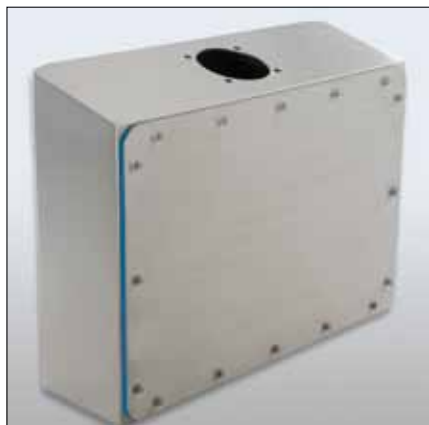
Product range

Order No.	Dimensions (mm) W x H x D	Z	Fitting width	Fitting height	Drillings for suspension system (side A)	Weight (g)
56.10 02 01	380 x 250 x 150	37	320	245	GTH 48	9000
56.10 02 02	380 x 250 x 220	55	320	245	GTH 48	9000
56.10 02 03	500 x 350 x 150	37	440	345	GTH 48	11000
56.10 02 04	500 x 350 x 220	55	440	345	GTH 48	11500
56.10 02 05	500 x 450 x 150	37	440	445	GTH 48	12000
56.10 02 06	500 x 450 x 220	55	440	445	GTH 48	12500



Accessories

Mounting angle set for internal fitting of components **56.20 99 01**





- Stainless steel Commander with door for industrial applications
- High material quality
- Optional handle set

Technical data

Material:

Stainless steel 1.4301/304
 other materials on request

Ingress protection:

IP 65 to EN 60529

Seal:

Silicone

Surface:

grinded, grain 240

Temperature range:

-40°C to +80°C

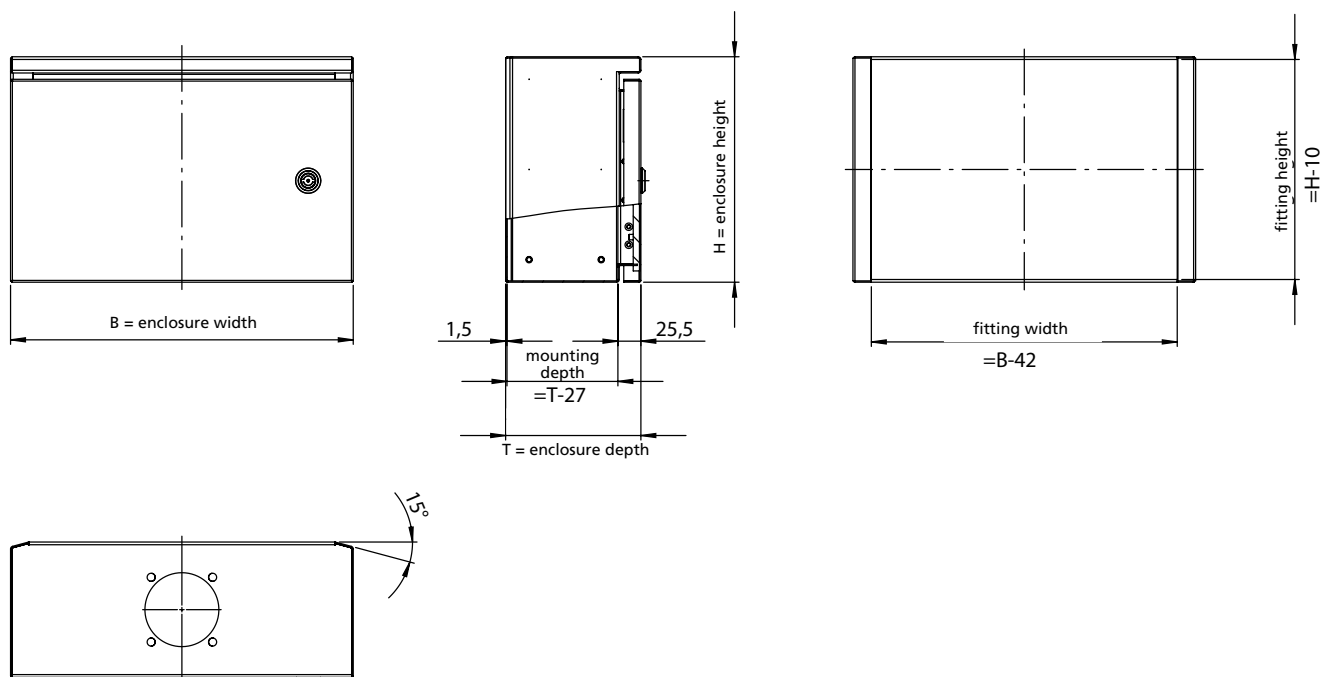
Included in delivery:

Enclosure with door, rect angle, silicone seal - depending on version with closed or individual manufactured front, internal fixing and coupling hole for suspension system GTH 48

Commander 420

Product range

Order No.	Dimensions (mm) W x H x D	Fitting width	Fitting height	Drillings for suspension system (side A)	Weight (g)
56.20 01 01	380 x 250 x 150	338	240	GTH 48	9000
56.20 01 02	380 x 250 x 220	338	240	GTH 48	9000
56.20 01 03	500 x 350 x 150	458	340	GTH 48	10000
56.20 01 04	500 x 350 x 220	458	340	GTH 48	11000
56.20 01 05	500 x 450 x 150	458	440	GTH 48	12000
56.20 01 06	500 x 450 x 220	458	440	GTH 48	12000



Accessories

Handle set ECO for Commander 420, L = 220 mm	56.20 01 93
Handle set ECO for Commander 420, L = 320 mm	56.20 01 94
Handle set ECO for Commander 420, L = 420 mm	56.20 01 95
Mounting angle set for internal fitting of components	56.20 99 01





- Stainless steel round tube system with system components for hygienic applications
- Tube diameter 48 and 60 mm
- Tube version S-, J- and I-shape
- Components screwed to tube
- Optional EMC version

Technical data

Material:

tube: stainless steel 1.4301

system components: stainless steel 1.4305

Ingress protection:

IP 65 to EN 60529

Free cable passage:

GTH 48: 41 mm

GTH 60: 53 mm

Surface:

tube: grinded, grain 240

Temperature range:

-25°C to +60°C

Included in delivery:

System components and tube mounted if ordered

GTH 48 / GTH 60 suspension systems

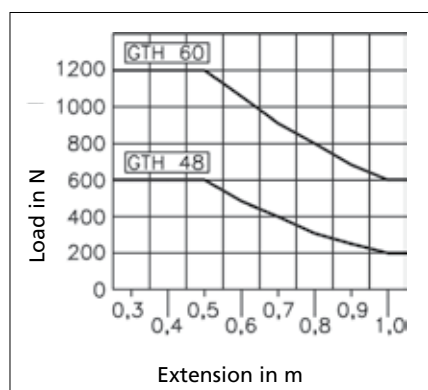
Product range

GTH 48		GTH 60		
Order No.	Weight (g)	Order No.	Weight (g)	
57.01 73 00	2560	57.02 73 00	3440	Coupling
57.01 73 01	2560	57.02 73 01	3440	EMC coupling
57.01 73 02	2710	57.02 73 02	3600	Coupling for external tube fitting
57.01 66 00	2450	57.02 66 00	3360	Top-mounted joint
57.01 66 01	2450	57.02 66 01	3360	EMC top-mounted joint
57.01 66 02	2700	57.02 66 02	3550	Top mounted joint for external tube fitting
57.01 74 00	1390	57.02 74 00	2490	Foot stand (hanging / standing)
57.01 72 00	3080	57.02 72 00	3720	Foot stand with cable outlet (hanging / standing)
57.01 76 00	1120	57.02 76 00	1220	Console adapter
57.01 76 01	1120	57.02 76 01		Console adapter hygiene
57.01 79 00	2680	57.02 79 00	3190	Wall console
57.01 00 05	1800	57.02 00 05	2300	Tube I (500 mm)
57.01 00 10	3450	57.02 00 10	4650	Tube I (1000 mm)
57.01 00 15	5100	57.02 00 15	6900	Tube I (1500 mm)
57.01 00 99		57.02 00 99		Tube I special length
57.01 02 05	3250	57.02 02 05	4300	Tube S (500 mm)
57.01 02 10	4800	57.02 02 10	6850	Tube S (1000 mm)
57.01 02 99		57.02 02 99		Tube S special length
57.01 01 05	3300	57.02 01 05	4380	Tube J (500 mm)
57.01 01 07	5700	57.02 01 07	6350	Tube J (750 mm)
57.01 01 10	9500	57.02 01 10	9300	Tube J (1000 mm)
57.01 01 99		57.02 01 99		Tube J special length
57.00 99 00		57.00 99 00		System mounting

Accessories

	GTH 48	GTH 60
Protective cap set (4 caps) for top-mounted joint and foot stand	57.00 99 01	57.00 99 01
Spare blind flange	57.01 99 02	57.02 99 00

Load diagram



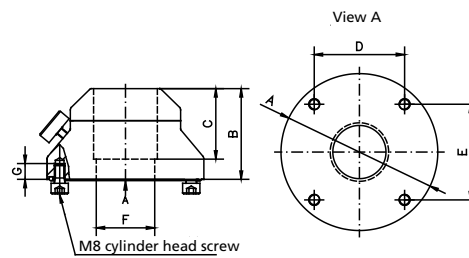
GTH 48 / GTH 60 suspension systems



Coupling

for attachment of stainless steel tubes 48 or 60 mm.
Pivot, can be locked at any point using clamping screw.
Swivel range: up to 350°, can be adjusted in 60° steps.
Included in delivery: Coupling includes mounting screws

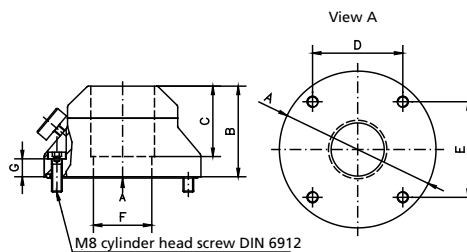
Order No.	Version	for tube	A	B	C	D	E	F	G
GTH 48									
57.01 73 00	Standard	Ø 48	Ø 118	70	53	68	72	Ø 44	13
57.01 73 01	EMC	Ø 48	Ø 118	70	53	68	72	Ø 44	13
57.01 73 02	for external fitting	Ø 48	Ø 118	82	65	68	72	Ø 44	13
GTH 60									
57.02 73 00	Standard	Ø 60	Ø 130	81	64	85,8	68	Ø 53	13
57.02 73 01	EMC	Ø 60	Ø 130	81	64	85,8	68	Ø 53	13
57.02 73 02	for external fitting	Ø 60	Ø 130	92	75	85,8	68	Ø 53	13



Top-mounted joint

for attachment of stainless steel tube, 48 or 60 mm.
Pivot can be locked at any point using clamping screw.
Swivel range: up to 350°, can be adjusted in 60° steps.
Included in delivery: top-mounted joint without M8 cylinder head screw

Order No.	Version	for tube	A	B	C	D	E	F	G
GTH 48									
57.01 66 00	Standard	Ø 48	Ø 118	70	53	68	72	Ø 44	13
57.01 66 01	EMC	Ø 48	Ø 118	70	53	68	72	Ø 44	13
57.01 66 02	for external fitting	Ø 48	Ø 118	82	65	68	72	Ø 44	13
GTH 60									
57.02 66 00	Standard	Ø 60	Ø 130	81	64	85,8	68	Ø 53	14
57.02 66 01	EMC	Ø 60	Ø 130	81	64	85,8	68	Ø 53	14
57.02 66 02	for external fitting	Ø 60	Ø 130	92	75	85,8	68	Ø 53	14



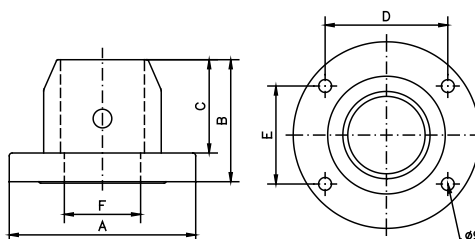
GTH 48 / GTH 60 suspension systems



Foot stand

for base- or ceiling mounting. Ceiling mounting version - additional safety bore for tube.
Included in delivery: foot stand

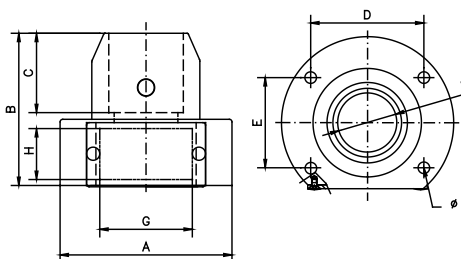
Order No.	Version	for tube	A	B	C	D	E	F
GTH 48								
57.01 74 00	Foot stand (hanging / standing)	Ø 48	Ø 118	80	60	68	72	Ø 41,9
GTH 60								
57.02 74 00	Foot stand (hanging / standing)	Ø 60	Ø 130	85	60	85,8	68	Ø 53,9



Foot stand with cable outlet

for external cable outlet on side. Ceiling mounting version - additional safety bore for tube.
Included in delivery: foot stand with flange plate and 2 screws

Order No.	Version	for tube	A	B	C	D	E	F	G	H
GTH 48										
57.01 72 00	Foot stand (hanging / standing)	Ø 48	Ø 118	110	60	68	72	Ø 41,9	45	38,5
GTH 60										
57.02 72 00	Foot stand (hanging / standing)	Ø 60	Ø 130	115	60	85,8	68	Ø 53,9	70	38,5



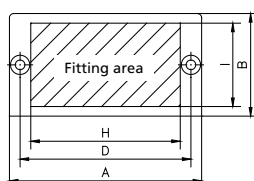
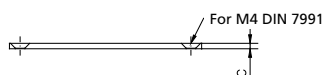
Spare blind flange

for foot stand with cable outlet

Material: 1.4301

Included in delivery: blind flange without M4 countersunk screw

Order No.	A	B	C	D	H	I
GTH 48						
57.01 99 02	73	47,5	2,5	55	45	38,5
GTH 60						
57.02 99 00	90	48	2,5	80	70	38,5



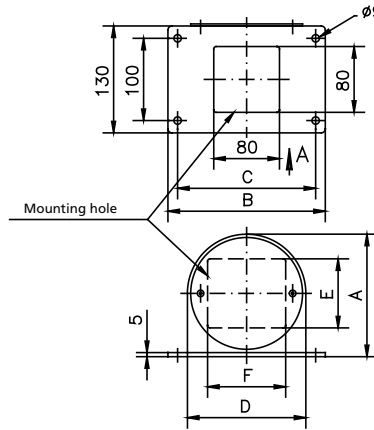
Max. number of cable glands/ blind flange:
57.01 99 02: 1 x 25 or 1 x 20 or 4 x M12
57.02 99 00: 1 x 25 or 2 x 20 or 6 x M12

GTH 48 / GTH 60 suspension systems

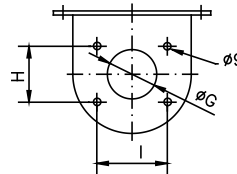


Wall bracket
for adaption top mounted joint or coupling

Order No.	for tube	A	B	C	D	E	F	G	H	I
GTH 48										
57.01 79 00	Ø 48	138	178	155	132	88	84	50	72	68
GTH 60										
57.02 79 00	Ø 60	149	191,5	168	144	84	102	60	68	85,8

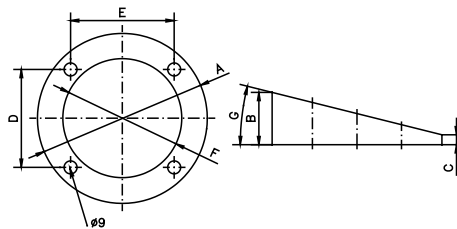


View A



Console adapter
Angle of inclination 14°
Included in delivery: console adapter with 4 fastening screws

Order No.	for tube	A	B	C	D	E	F	G
GTH 48								
57.01 76 00	Ø 48,3	Ø 118	40	10,6	68	72	Ø 79	14°
GTH 60								
57.02 76 00	Ø 60,3	Ø 130	40	7,6	85,8	68	Ø 91	14°



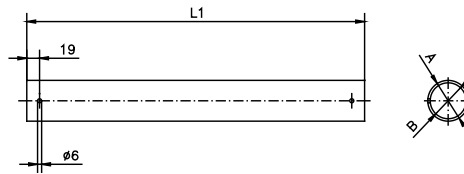
Geräteträgersysteme GTH 48 / GTH 60



Connecting tube I

Order No.	L1 (mm)	A (outside Ø)	B (inside Ø)	Weight (g)
GTH 48				
57.01 00 05	500	48,3	41	1800
57.01 00 10	1000	48,3	41	3450
57.01 00 15	1500	48,3	41	5100
57.01 00 99	special length	48,3	41	-
GTH 60				
57.02 00 05	500	60,3	53	2300
57.02 00 10	1000	60,3	53	4650
57.02 00 15	1500	60,3	53	6900
57.02 00 99	special length	60,3	53	-

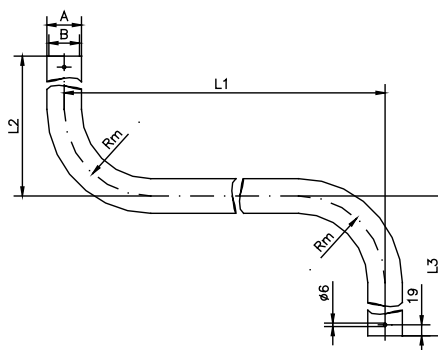
max. length L1 = 1000 mm



Connecting tube S

Order No.	L1 (mm)	L2 (mm)	L3 (mm)	A (outside Ø)	B (inside Ø)	Weight (g)
GTH 48						
57.01 02 05	500	300	300	48,3	41	3250
57.01 02 10	1000	300	300	48,3	41	4800
57.01 02 99	special length			48,3	41	-
GTH 60						
57.02 02 05	500	300	300	60,3	53	4300
57.02 02 10	1000	300	300	60,3	53	6850
57.02 02 99	special length			60,3	53	-

max. length L1 = 1000 mm



Geräteträgersysteme GTH 48 / GTH 60



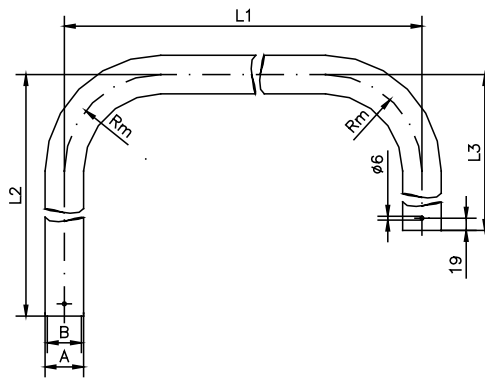
Connecting tube J

Order No.	L1 (mm)	L2 (mm)	L3 (mm)	A (outside Ø)	B (inside Ø)	Weight (g)
GTH 48						
57.01 01 05	500	300	300	48,3	41	3300
57.01 01 07	750	750	300	48,3	41	5700
57.01 01 10	1000	750	300	48,3	41	9500
57.01 01 99	special length			48,3	41	-
GTH 60						
57.02 01 05	500	300	300	60,3	53	4380
57.02 01 07	750	750	300	60,3	53	6350
57.02 01 10	1000	750	300	60,3	53	9300
57.02 01 99	special length			60,3	53	-

max. length L1 = 1000 mm

Product info:

Individual lengths and versions on request.



GTH 48 / GTH 60 suspension systems

Enquiry

Order

Please copy, complete and fax: +49 (0) 571/5041-6

Company _____ Telephone _____

Contact _____ Fax _____

Address _____ E-Mail _____

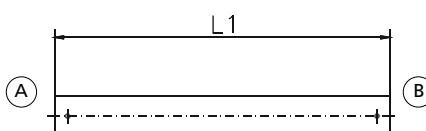
Suspension system GTH 48 GTH 60 Quantity _____

System consisting of the following components:

Components, side A

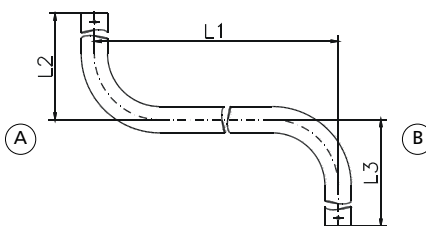
- Coupling
- EMC coupling
- Coupling for external tube fitting
- Top-mounted joint
- EMC top-mounted joint
- Top-mounted joint for external tube fitting
- Foot stand
- Foot stand for ceiling mounting
- Foot stand with cable outlet
- Foot stand (ceiling mounting) with cable outlet
- Console adapter
- Wall console

Connecting tube



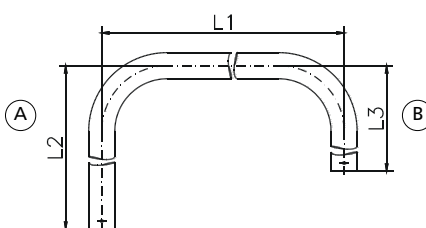
I-tube (L1)

- 500 mm
- 1000 mm
- 1500 mm
- Special length _____ mm



S-tube (L1/L2/L3)

- 500/300/300 mm
- 1000/300/300 mm
- Special length* _____ / _____ / _____ mm



J-tube (L1/L2/L3)

- 500/300/300 mm
- 750/750/300 mm
- 1000/750/300 mm
- Special length* _____ / _____ / _____ mm

* Attention: measure dimension tube center
min. lengths L2 and L3: 280 mm
max. lengths L1 = 1000 mm

Components, side B

- Coupling
- EMC coupling
- Coupling for external tube fitting
- Top-mounted joint
- EMC top-mounted joint
- Top-mounted joint for external tube fitting
- Foot stand
- Foot stand for ceiling mounting
- Foot stand with cable outlet
- Foot stand (ceiling mounting) with cable outlet
- Console adapter
- Wall console

Accessories

- Protective cap set
- Spare blind flange untreated
- Spare blind flange treated _____

Stainless steel cable glands



Type	Cable gland
Material	Stainless steel 1.4305
Sealing insert	NBR
Ingress protection	IP 68, EN 60529
Temperature range	-40°C to +100°C

Type	Cable Ø	AF*	TL*	Order No.
Metric				
M 12 x 1,5	3 - 6,5	14	6,5	08.04 14 12
M 16 x 1,5	5 - 10	22	6	08.04 14 16
M 20 x 1,5	10 - 14	24	6	08.04 14 20
M 25 x 1,5	13 - 18	30	7	08.04 14 25
M 32 x 1,5	20 - 25	41	8	08.04 14 32
M 40 x 1,5	22 - 32	50	8	08.04 14 40



Type	Pressure balance element
Material	Stainless steel 1.4305
Sealing insert	NBR
Ingress protection	IP 66 / IP 69K
Air flow rate	0,4 l/min at 0,1 bar ΔP 5 l/min at 1 bar ΔP
Temperature range	-40°C to +105°C

Type	Cable Ø	AF*	TL*	Order No.
Metric				
M 12 x 1,5		17	10	08.50 10 12

* AF: width across flats
TL: thread length

Ex stainless steel cable glands see catalogue „Ex-Equipment“

Stainless steel / special version



Stainless steel / special version

Enquiry

Order

Please copy, complete and fax: +49 (0)571/5041-6

Company _____ Telephone _____

Contact _____ Fax _____

Address _____ E-Mail _____

Material:

Standard, 1.4301 (304)

optional: 1.4404 (316L)

other _____

Wall thickness:

Standard, 1.25 mm
(up to 600 mm, enclosure length / width)

optional: 1.5 mm

2.0 mm

2.5 mm

Standard, 1.5 mm
(from 600 mm, enclosure length / width)

3.0 mm

other _____ mm

Enclosure size:

_____ x _____ x _____ mm
(L) (W) (H)

Surface finish:

Standard: grinded, grain 240

optional: untreated

painted, colour (RAL) _____

glass bead pearled

brushed

pickled

electro-polished

lengthwise grinded

Enclosure version

acc. drawing

Lid Hinge, outside

Hinge, inside

screwed

Door

Lock

Accessories:

Mounting set (gasket, nuts, screws)

External mounting brackets

screwed

welded

Items per annum: _____ Total: _____ Standard offer sizes (batch sizes): _____ / _____ / _____ / _____ / _____ / _____

Documentation enclosed: _____

dxf or dwg file

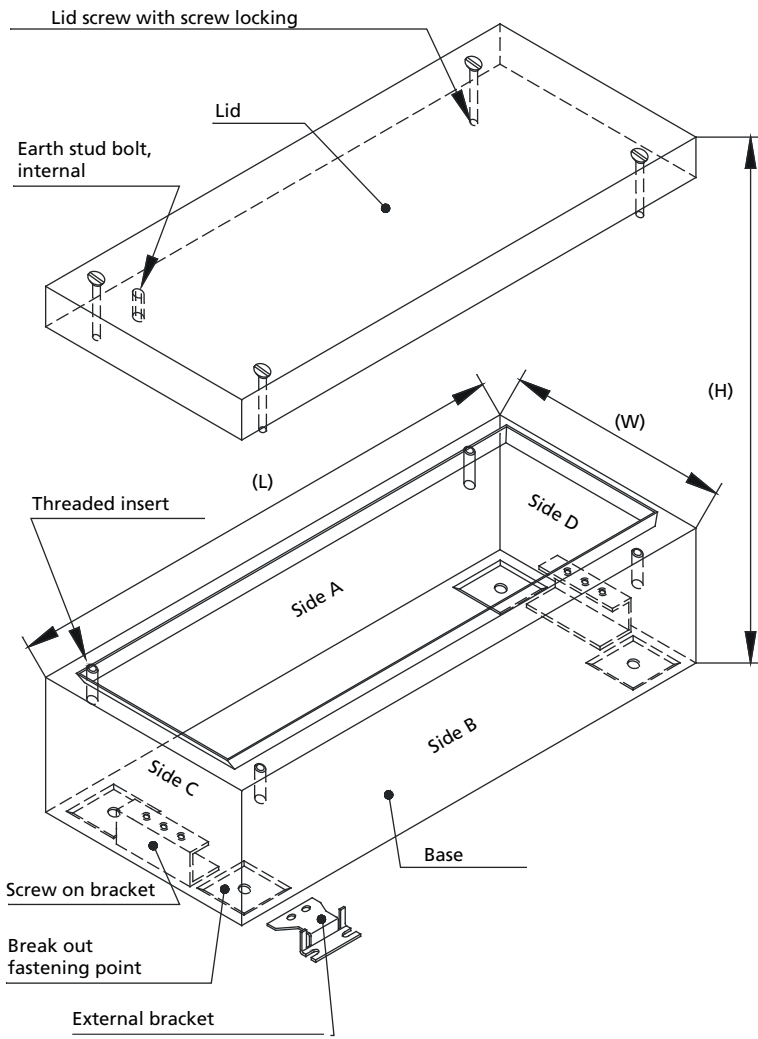
Drawings

IP _____

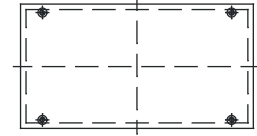
Desired delivery date: _____

Comments: _____

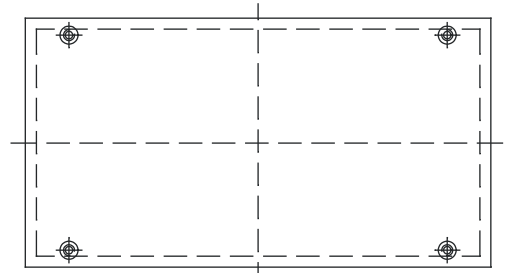
Stainless steel / special version



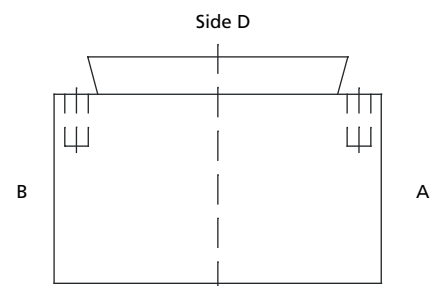
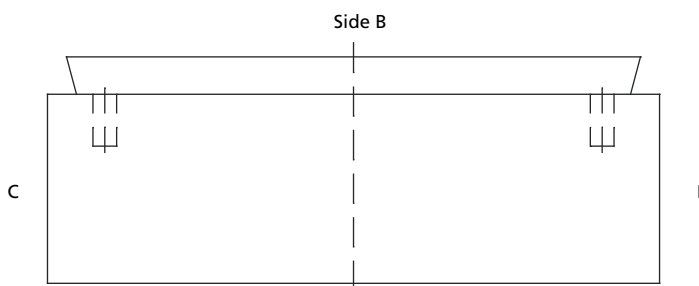
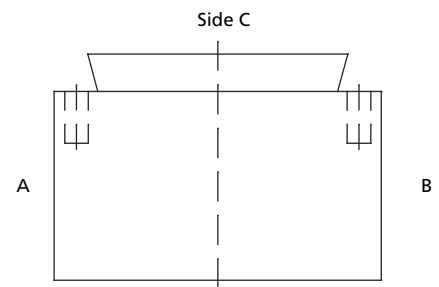
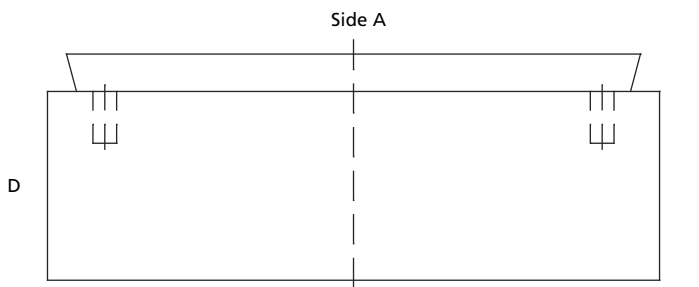
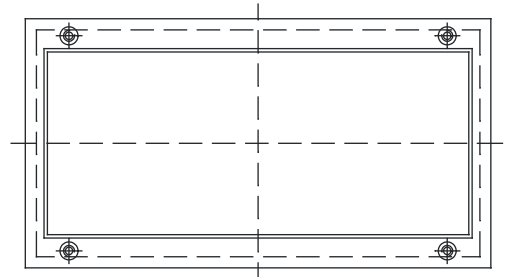
Plan view of side layout



Plan view of lid



Inside view of base



Chemical resistance

When deciding whether an enclosure is resistant to the effects of chemical substances, you must consider both the enclosure material and the type of seals. The table below shows the most important basic materials used in ROSE enclosures and the most frequently encountered chemical substances. This table provides information only on the extent to which materials are essentially resistant to certain chemicals. However, you must also take into account the concentrations and ambient temperatures. In cases where several chemicals occur together, we recommend that you carry out a precise investigation in order to evaluate the chemical resistance of a particular material.

Chemical resistance of enclosure materials and seals

Chemicals	Stainless steel	EPDM	Polyurethane	Silicone
Acetone	+	+	-	•
Formic acid	+	/	/	•
Ammonia	+	•	/	+
Petrol	+	/	+	+
Benzene	+	•	+	-
Brake fluid	/	up to 150°C	/	+
Butane	/	/	/	-
Butanol	/	+	/	-
Calcium chloride	+	•	/	/
Chloral benzene	/	/	-	-
Diesel oil	/	/	+	•
Acetic acid	+	+	/	-
Formaldehyde	+	up to 30%	/	+
Freon 113	/	/	/	/
Fruit juice	+	+	+	+
Glycerine	+	+	+	+
Fuel oil	+	/	+	•
Hydraulic oil	/	•	/	•
Caustic potash solution	+	•	/	/
Potassium chloride	+	•	+	+
Potassium hydroxide	+	•	-	•
Linseed oil	+	/	+	•
Methane	+	+	/	+
Methylene chloride	+	/	-	-
Lactic acid	+	•	/	/
Mineral oils	/	/	+	+
Motor oils	/	/	+	+
Sodium carbonate	+	•	/	/
Sodium chloride	•	•	+	+
Sodium hydroxide	+	•	-	•
Soda lye	+	•	/	-
Nitric acid	+	up to 10%	-	-
Hydrochloric acid	+	up to 10%	-	/
Lubricating oil	+	/	+	+
Carbon bisulphide	+	/	/	-
Sulphuric acid	+	/	/	25 %
Suds	+	•	•	+
Cleansing agent	+	/	•	+
Terpentine oil	/	/	/	-
Carbon tetrachloride	/	/	-	-
Toluene	/	/	-	-
Trichlorethylene	/	/	-	-
Water (dest. Water, river-, mains-, sea)	+	+	+	+
Tartaric acid	/	•	+	+
Xylene	/	/	-	-
Zinc sulphate	/	•	/	+
Citric acid	/	•	/	+

The investigations, unless stated otherwise, were carried out at room temperature. Resistances can vary when two different materials come into contact with one another. We cannot therefore accept liability for this data.

Explanation of symbols

- + resistant against all concentrations
- + resistant against maximum % concentration
- C° resistant to maximum C°
- limited resistance
- not resistant
- / no information

General technical information

Ingress protection

ROSE enclosure are classified in ingress protection to the generally applicable guidelines contained in EN 60529 and IEC 144.

The ingress protection is indicated by an abbreviation, which is always composed of the two letters IP and two digits relating to the protection level.

Protection class for contact and foreign body protection

First digit	Designation
0	No protection
1	Protection against large foreign bodies
2	Protection against medium-sized foreign bodies
3	Protection against small foreign bodies
4	Protection against grain-shaped foreign bodies
5	Protection against dust deposits
6	Protection against dust entry

Protection class for water protection

Second digit	Designation
0	No protection
1	Protection against vertical falling drip water
2	Protection against obliquely falling drip water
3	Protection against water spray
4	Protection against splashing water
5	Protection against water jets
6	Protection when flooded
7	Protection when immersed
8	Protection when submerged
9	Protection against high-pressure jets*

Note: The ingress protection indicated for the enclosures is based on non-processed enclosures as supplied. Aging and temperature fluctuations can lead to a diminution of the ingress protection.

* Ingress protection EN 60529

Surface

State of the art sanding and polishing techniques are used to give ROSE stainless steel enclosures a high quality surface finish. All enclosures are guaranteed gradient and warp-free. In the final process the stainless steel surfaces are grinded with grain 240 emery. All ROSE enclosures are naturally supplied free from grease and dust.

Enclosures are optionally available with a bead-blasted finish.

Temperature resistance

The definition of temperature resistance for enclosures is based on the maximum continuous temperature at which the enclosure remains dimensionally stable and the ingress protection remains guaranteed. Admissible short term peak temperatures are often considerably higher.

The definition of temperature resistance in the case of the components of the process automation is based to the maximum continuous temperature, provided that the factory-installed (electronic) components are functioning correctly and the enclosure rating is maintained.

Further classifications apply to storage and transport, and are listed in the respective product descriptions.

ROSE Systemtechnik GmbH

Postfach 1362
32439 Porta Westfalica

Erbeweg 13-15
32457 Porta Westfalica

Fon	+49 571 5041 0
Fax	+49 571 5041 6
E-Mail	rose@rose-pw.de
Web	www.rose-pw.de



A Phoenix Mecano Company